

# AZ100EL16VS

## ECL/PECL Differential Receiver with Variable Output Swing

### FEATURES

- 250ps Propagation Delay
- High Bandwidth Output Transitions
- 75k $\Omega$  Internal Input Pulldown Resistors
- Functionally Equivalent to ON Semiconductor MC100EL16
- Variable Output Swing
- Available in a 3x3mm MLP Package

### PACKAGE AVAILABILITY

PACKAGE	PART NUMBER	MARKING	NOTES
MLP 8	AZ100EL16VSL	AZM16P <Date Code>	1,2
SOIC 8	AZ100EL16VSD	AZM100 EL16VS	1,3
TSSOP 8	AZ100EL16VST	AZH16VS	1,3

- 1 Add R1 at end of part number for 7 inch (1K parts), R2 for 13 inch (2.5K parts) Tape & Reel.
- 2 Date Code "YWW"
- 3 Date Code "YWW" on underside of part.

### DESCRIPTION

The AZ100EL16VS is a differential receiver with variable output swing. The EL16VS has functionality and output transition times similar to the EL16, with an input that controls the amplitude of the Q/Q outputs. Maximum swing is achieved by leaving the  $V_{CTRL}$  pin open or tied to  $V_{EE}$ .

The operational range of the EL16VS control input,  $V_{CTRL}$ , is from  $V_{BB}$  (full swing) to  $V_{CC}$  (min. swing). Simple control of the output swing can be obtained by a variable resistor between the  $V_{BB}$  and  $V_{CC}$  pins, with the wiper driving  $V_{CTRL}$ . Typical application circuits and results are described in this Data Sheet.

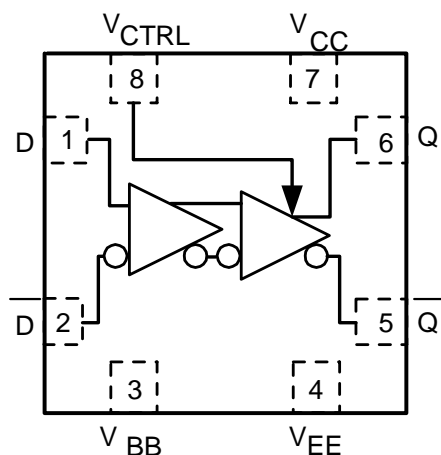
The EL16VS provides a  $V_{BB}$  output for single-ended use or a DC bias reference for AC coupling to the device. For single-ended input applications, the  $V_{BB}$  reference should be connected to one side of the D/D differential input pair. The input signal is then fed to the other D/D input. The  $V_{BB}$  pin can support 1.0mA sink/source current. When used, the  $V_{BB}$  pin should be bypassed to ground via a 0.01 $\mu$ F capacitor.

Under open input conditions (pulled to  $V_{EE}$ ) internal input clamps will force the Q output LOW.

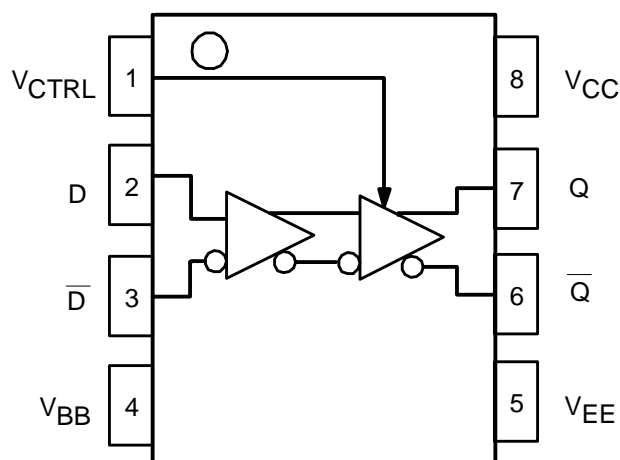
NOTE: Specifications in ECL/PECL tables are valid when thermal equilibrium is established.

# AZ100EL16VS

## LOGIC DIAGRAM AND PINOUT ASSIGNMENT



8 MLP (TOP VIEW)



8 SOIC & 8 TSSOP

### PIN DESCRIPTION

PIN	FUNCTION
D, D	Data Inputs
V <sub>CTRL</sub>	Output Swing Control
Q, Q	Data Outputs
V <sub>BB</sub>	Reference Voltage Output
V <sub>CC</sub>	Positive Supply

**Absolute Maximum Ratings are those values beyond which device life may be impaired.**

Symbol	Characteristic	Rating	Unit
V <sub>CC</sub>	PECL Power Supply (V <sub>EE</sub> = 0V)	0 to +8.0	Vdc
V <sub>I</sub>	PECL Input Voltage (V <sub>EE</sub> = 0V)	0 to +6.0	Vdc
V <sub>EE</sub>	ECL Power Supply (V <sub>CC</sub> = 0V)	-8.0 to 0	Vdc
V <sub>I</sub>	ECL Input Voltage (V <sub>CC</sub> = 0V)	-6.0 to 0	Vdc
I <sub>OUT</sub>	Output Current --- Continuous --- Surge	50 100	mA
T <sub>A</sub>	Operating Temperature Range	-40 to +85	°C
T <sub>STG</sub>	Storage Temperature Range	-65 to +150	°C

**100K ECL DC Characteristics** (V<sub>EE</sub> = -4.2V to -5.5V, V<sub>CC</sub> = GND; V<sub>CTRL</sub> = V<sub>BB</sub>)

Symbol	Characteristic	-40°C		0°C		25°C		85°C		Unit				
		Min	Typ	Min	Typ	Min	Max	Min	Max					
V <sub>OH</sub>	Output HIGH Voltage <sup>2</sup>	-1085		-880	-1025	-880	-1025	-955	-880	-1025	-880	mV		
V <sub>OL</sub>	Output LOW Voltage <sup>2</sup> V <sub>CTRL</sub> = V <sub>BB</sub> <sup>1</sup>	-1890		-1620	-1870	-1680	-1870	-1775	-1680	-1870	-1680	mV		
V <sub>OL</sub>	Output LOW Voltage <sup>2</sup> V <sub>CTRL</sub> = V <sub>CC</sub>	-1180		-975	-1135	-990	-1135	-1065	-990	-1135	-990	mV		
V <sub>IH</sub>	Input HIGH Voltage	-1165		-880	-1165	-880	-1165		-880	-1165	-880	mV		
V <sub>IL</sub>	Input LOW Voltage	-1810		-1475	-1810	-1475	-1810		-1475	-1810	-1475	mV		
V <sub>BB</sub>	Reference Voltage	-1420		-1260	-1420	-1260	-1420		-1260	-1420	-1260	mV		
I <sub>IH</sub>	Input HIGH Current D, D V <sub>CTRL</sub>			150 40		150 40			150 40		150 40	μA		
I <sub>IL</sub>	Input LOW Current	0.5			0.5		0.5			0.5		μA		
I <sub>EE</sub>	Power Supply Current		18	25		18	25		18	25		21	26	mA

- If V<sub>CTRL</sub> is Open Circuit, use the V<sub>OH</sub> (Max & Min) and V<sub>OL</sub> (V<sub>CTRL</sub> = V<sub>REF</sub> : Max only) limits.
- Each output is terminated through a 50Ω resistor to V<sub>CC</sub> - 2V.

# AZ100EL16VS

## 100K PECL DC Characteristics ( $V_{EE} = \text{GND}$ , $V_{CC} = +5.0\text{V}$ )

Symbol	Characteristic	-40°C			0°C			25°C			85°C			Unit
		Min	Typ	Max	Min	Typ	Max	Min	Typ	Max	Min	Typ	Max	
$V_{OH}$	Output HIGH Voltage <sup>1,3</sup>	3915		4120	3975		4120	3975	4045	4120	3975		4120	mV
$V_{OL}$	Output LOW Voltage <sup>1,3</sup> $V_{CTRL} = V_{BB}^2$	3110		3380	3130		3320	3130	3225	3320	3130		3320	mV
$V_{OL}$	Output LOW Voltage <sup>1,3</sup> $V_{CTRL} = V_{CC}$	3820		4025	3865		4010	3865	3935	4010	3865		4010	mV
$V_{IH}$	Input HIGH Voltage <sup>1</sup>	3835		4120	3835		4120	3835		4120	3835		4120	mV
$V_{IL}$	Input LOW Voltage <sup>1</sup>	3190		3525	3190		3525	3190		3525	3190		3525	mV
$V_{BB}$	Reference Voltage <sup>1</sup>	3580		3740	3580		3740	3580		3740	3580		3740	mV
$I_{IH}$	Input HIGH Current D, D $V_{CTRL}$			150 40			150 40			150 40			150 40	$\mu\text{A}$
$I_{IL}$	Input LOW Current	0.5			0.5			0.5			0.5			$\mu\text{A}$
$I_{EE}$	Power Supply Current		18	25		18	25		18	25		21	26	mA

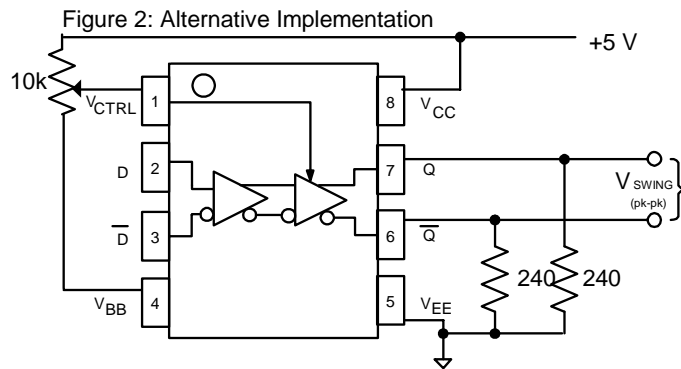
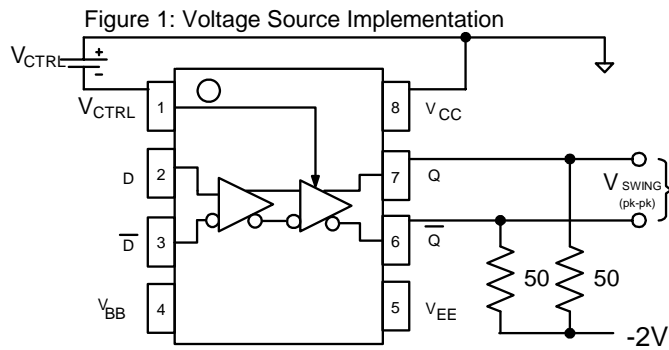
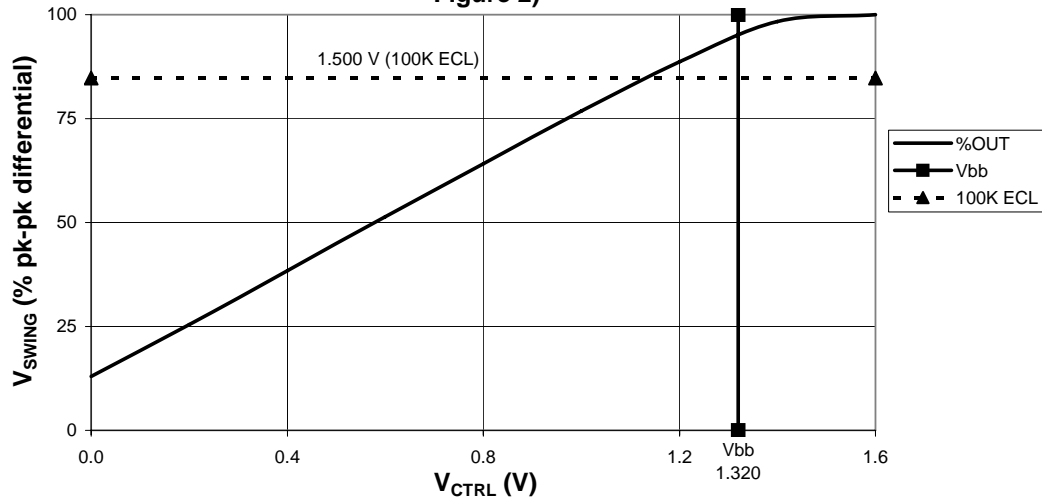
- For supply voltages other than 5.0V, use the ECL table values and ADD supply voltage value.
- If  $V_{CTRL}$  is Open Circuit, use the  $V_{OH}$  (Max & Min) and  $V_{OL}$  ( $V_{CTRL} = V_{REF}$ : Max only) limits.
- Each output is terminated through a 50 $\Omega$  resistor to  $V_{CC} - 2\text{V}$ .

## AC Characteristics ( $V_{EE} = -4.2\text{V}$ to $-5.5\text{V}$ ; $V_{CC} = \text{GND}$ or $V_{EE} = \text{GND}$ ; $V_{CC} = +4.2\text{V}$ to $+5.5\text{V}$ )

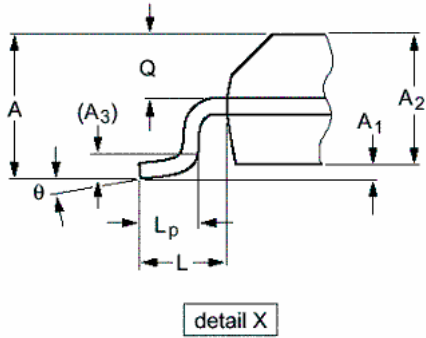
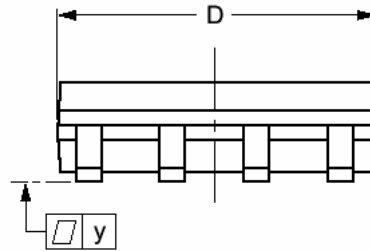
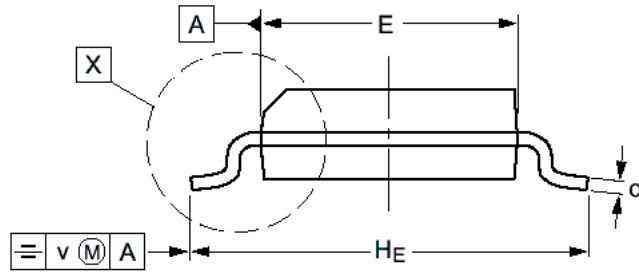
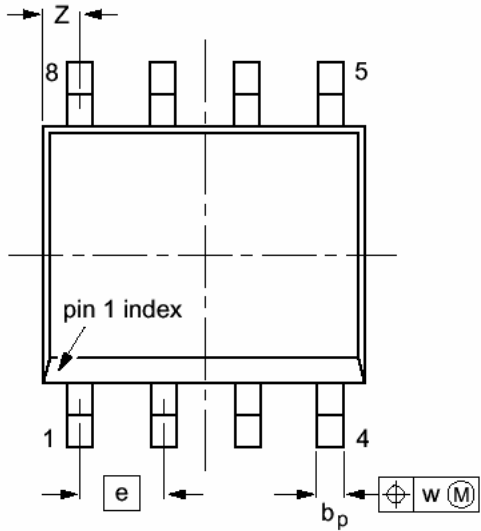
Symbol	Characteristic	-40°C			0°C			25°C			85°C			Unit
		Min	Typ	Max	Min	Typ	Max	Min	Typ	Max	Min	Typ	Max	
$t_{PLH}/t_{PHL}$	Input to Output Delay (Diff) (SE)		250 250		175 125	250 250	325 375	175 125	250 250	325 375	205 155	280 280	355 405	ps
$t_{SKEW}$	Duty Cycle Skew <sup>1</sup> (Diff)		5			5	20		5	20		5	20	ps
$V_{PP}(\text{AC})$	Minimum Input Swing <sup>2</sup>	150			150			150			150			mV
$V_{CMR}$	Common Mode Range <sup>3</sup>	$V_{CC} - 2.0$		$V_{CC} - 0.4$	$V_{CC} - 2.0$		$V_{CC} - 0.4$	$V_{CC} - 2.0$		$V_{CC} - 0.4$	$V_{CC} - 2.0$		$V_{CC} - 0.4$	V
$t_r/t_f$	Rise/Fall Time 20 – 80%	100		350	100		350	100		350	100		350	ps

- Duty cycle skew is the difference between a  $t_{PLH}$  and  $t_{PHL}$  propagation delay through a device.
- $V_{PP}$  is the minimum peak-to-peak differential input swing for which AC parameters are guaranteed.
- The  $V_{CMR}$  range is referenced to the most positive side of the differential input signal. Normal operation is obtained if the HIGH level falls within the specified range and the peak-to-peak voltage lies between  $V_{PP}(\text{min})$  and 1V.

Typical Voltage Output Swing at +25C,  $V_{EE}$  Nom (see Figure 1 and Figure 2)



**PACKAGE DIAGRAM  
SOIC 8**

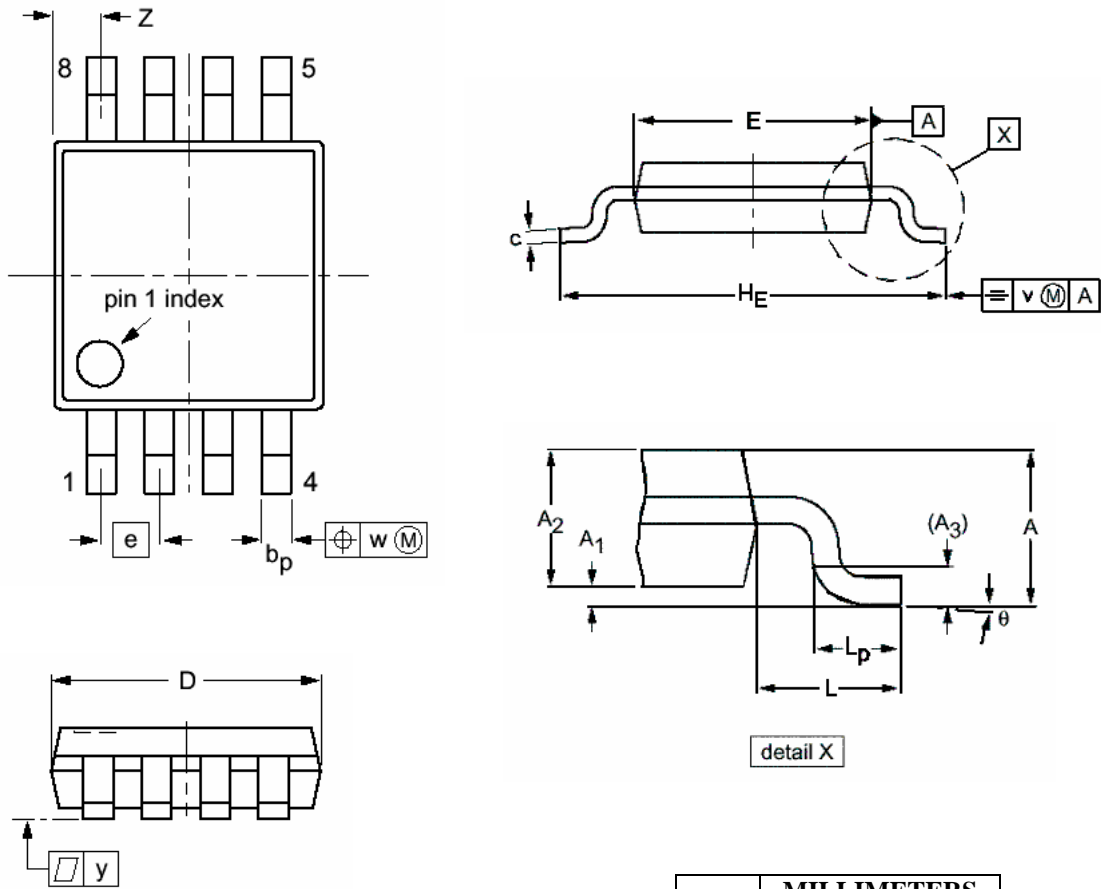


DIM	MILLIMETERS		INCHES	
	MIN	MAX	MIN	MAX
A	12.32	12.57	0.485	0.495
A <sub>1</sub>	0.10	0.25	0.004	0.010
A <sub>2</sub>	1.25	1.45	0.049	0.057
A <sub>3</sub>	0.25		0.01	
b <sub>p</sub>	0.36	0.49	0.014	0.019
c	0.19	0.25	0.0075	0.0100
D	4.8	5.0	0.19	0.20
E	3.8	4.0	0.15	0.16
e	1.27		0.050	
H <sub>E</sub>	5.80	6.20	0.228	0.244
L	1.05		0.041	
L <sub>p</sub>	0.40	1.00	0.016	0.039
Q	0.60	0.70	0.024	0.028
v	0.25		0.01	
w	0.25		0.01	
y	0.10		0.004	
Z	0.30	0.70	0.012	0.028
θ	0°	8°	0°	8°

NOTES:

1. DIMENSIONS D AND E DO NOT INCLUDE MOLD PROTRUSION.
2. MAXIMUM MOLD PROTRUSION FOR D IS 0.15mm.
3. MAXIMUM MOLD PROTRUSION FOR E IS 0.25mm.

**PACKAGE DIAGRAM  
TSSOP 8**

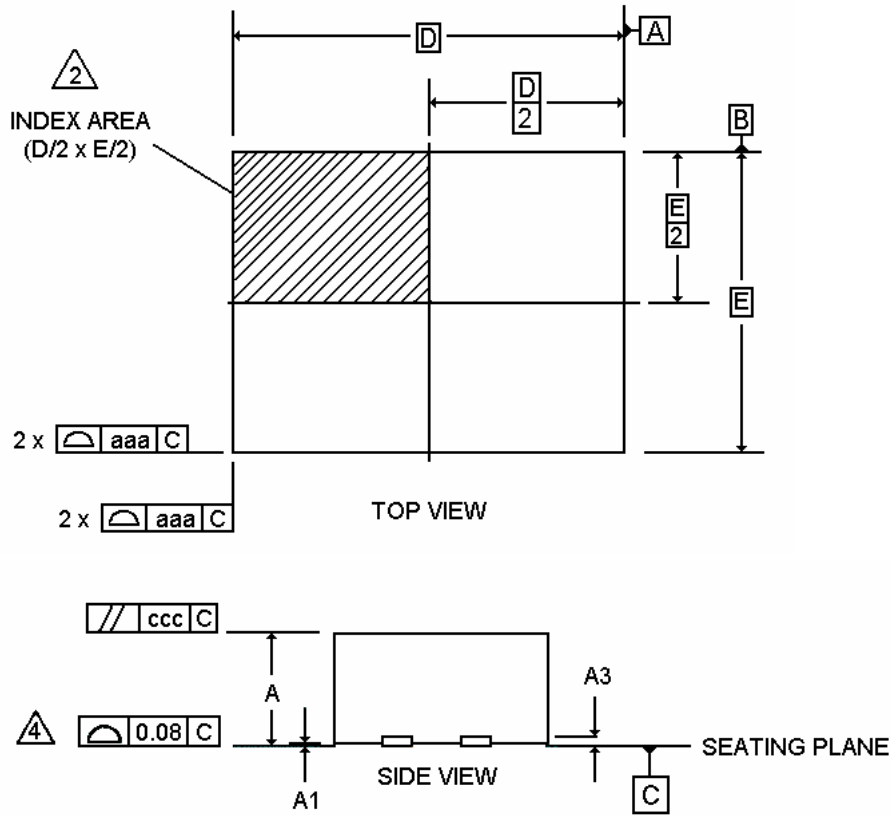


- NOTES:
1. DIMENSIONS D AND E DO NOT INCLUDE MOLD PROTRUSION.
  2. MAXIMUM MOLD PROTRUSION FOR D IS 0.15mm.
  3. MAXIMUM MOLD PROTRUSION FOR E IS 0.25mm.

DIM	MILLIMETERS	
	MIN	MAX
A		1.10
A <sub>1</sub>	0.05	0.15
A <sub>2</sub>	0.80	0.95
A <sub>3</sub>	0.25	
b <sub>p</sub>	0.25	0.45
c	0.15	0.28
D	2.90	3.10
E	2.90	3.10
e	0.65	
H <sub>E</sub>	4.70	5.10
L	0.94	
L <sub>p</sub>	0.40	0.70
v	0.10	
w	0.10	
y	0.10	
Z	0.35	0.70
θ	0°	6°

AZ100EL16VS

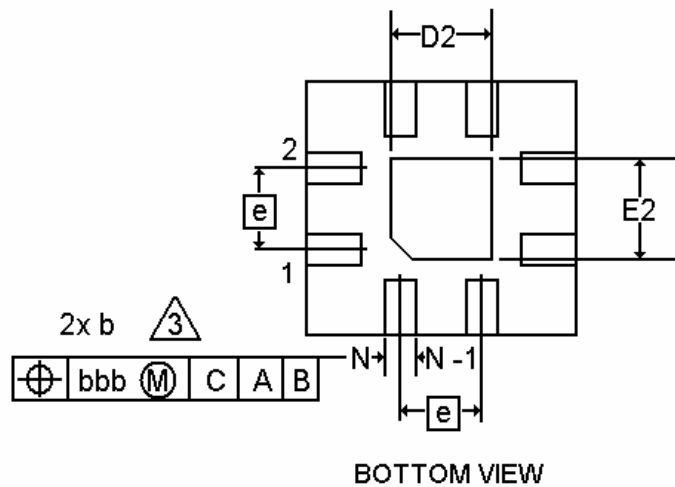
**PACKAGE DIAGRAM  
MLP 8**



NOTES

1. DIMENSIONING AND TOLERANCING CONFORM TO ASME T14-1994.
2. THE TERMINAL #1 AND PAD NUMBERING CONVENTION SHALL CONFORM TO JESD 95-1 SPP-012.
3. DIMENSION *b* APPLIES TO METALLIZED PAD AND IS MEASURED BETWEEN 0.25 AND 0.30mm FROM PAD TIP.
4. COPLANARITY APPLIES TO THE EXPOSED PAD AS WELL AS THE TERMINALS.

DIM	MILLIMETERS	
	MIN	MAX
A	0.80	1.00
A1	0.00	0.05
A3	0.25 REF	
<i>b</i>	0.30	0.35
D	2.90	3.10
D2	1.65	1.95
E	2.90	3.10
E2	1.65	1.95
<i>e</i>	0.65 BSC	
L	0.35	0.45
aaa	0.25	
bbb	0.10	
ccc	0.10	



## AZ100EL16VS

Arizona Microtek, Inc. reserves the right to change circuitry and specifications at any time without prior notice. Arizona Microtek, Inc. makes no warranty, representation or guarantee regarding the suitability of its products for any particular purpose, nor does Arizona Microtek, Inc. assume any liability arising out of the application or use of any product or circuit and specifically disclaims any and all liability, including without limitation special, consequential or incidental damages. Arizona Microtek, Inc. does not convey any license rights nor the rights of others. Arizona Microtek, Inc. products are not designed, intended or authorized for use as components in systems intended to support or sustain life, or for any other application in which the failure of the Arizona Microtek, Inc. product could create a situation where personal injury or death may occur. Should Buyer purchase or use Arizona Microtek, Inc. products for any such unintended or unauthorized application, Buyer shall indemnify and hold Arizona Microtek, Inc. and its officers, employees, subsidiaries, affiliates, and distributors harmless against all claims, costs, damages, and expenses, and reasonable attorney fees arising out of, directly or indirectly, any claim of personal injury or death associated with such unintended or unauthorized use, even if such claim alleges that Arizona Microtek, Inc. was negligent regarding the design or manufacture of the part.