

AZ10EL11
AZ100EL11
(3.3 V operation)



**1:2 Differential
Fanout Buffer**

FEATURES

- 265ps Propagation Delay
- 5ps Skew Between Outputs
- High Bandwidth Output Transitions
- 75kΩ Internal Input Pulldown Resistors
- Direct Replacement for Motorola MC10EL11 & MC100EL11
- Manufactured Under License By Lucent Technologies

PACKAGE AVAILABILITY

SUFFIX	DESCRIPTION
D	Plastic 8 SOIC
X	DIE

DESCRIPTION

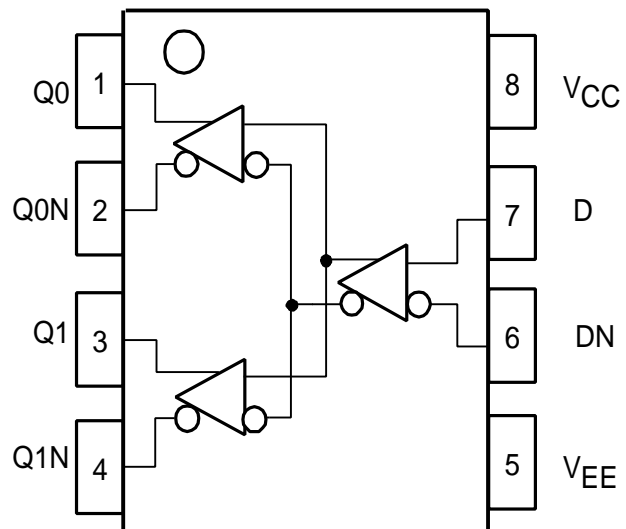
The AZ10EL/100EL11 is a differential 1:2 fanout gate. The device is functionally similar to the E111 device but with higher performance capabilities. Having within-device skews and output transition times significantly improved over the E111, the EL11 is ideally suited for those applications which require the ultimate in AC performance.

The differential inputs of the EL11 employ clamping circuitry to maintain stability under open input conditions. If the inputs are left open (pulled to V_{EE}) the Q outputs will go LOW.

LOGIC DIAGRAM AND PINOUT ASSIGNMENT

PIN DESCRIPTION

PIN	FUNCTION
D	Data Inputs
Q0, Q1	Data Outputs



AZ10EL11

AZ100EL11

DC Characteristics ($V_{EE} = 10E(-3.0V \text{ to } -3.6V), 100E(-3.0V \text{ to } -3.6V); V_{CC} = GND$)

Symbol	Characteristic	0°C			25°C			85°C			Unit
		Min	Typ	Max	Min	Typ	Max	Min	Typ	Max	
I_{EE}	Power Supply		26	31		26	31		26	31	mA
	Current		26	31		26	31		30	36	
V_{EE}	Power Supply	-4.75	-5.2	-5.5	-4.75	-5.2	-5.5	-4.75	-5.2	-5.5	V
	Voltage	-4.20	-4.5	-5.5	-4.20	-4.5	-5.5	-4.20	-4.5	-5.5	
I_{IH}	Input HIGH Current			150			150			150	μA

AC Characteristics ($V_{EE} = 10E(-3.0V \text{ to } -3.6V), 100E(-3.0V \text{ to } -3.6V); V_{CC} = GND$)

Symbol	Characteristic	0°C			25°C			85°C			Unit
		Min	Typ	Max	Min	Typ	Max	Min	Typ	Max	
t_{PLH} t_{PHL}	Propagation Delay to Output	185	260	335	190	265	340	215	290	365	ps
t_{SKEW}	Within-Device Skew ¹		5	20		5	20		5	20	ps
	Duty Cycle Skew ²		5	20		5	20		5	20	
V_{PP}	Minimum Input Swing ³	150			150			150			mV
V_{CMR}	Common Mode Range ⁴	-0.4		See ⁴	-0.4		See ⁴	-0.4		See ⁴	V
t_r t_f	Output Rise/Fall Times Q (20% - 80%)	100	225	350	100	225	350	100	225	350	ps

1. Within-device skew defined as identical transitions on similar paths through a device.
2. Duty cycle skew is the difference between a T_{PLH} and T_{PHL} propagation delay through a device.
3. Minimum input swing for which AC parameters guaranteed. The device has a DC gain of ≈ 40 .
4. The CMR range is referenced to the most positive side of the differential input signal. Normal operation is obtained if the HIGH level falls within the specified range and the peak-to-peak voltage lies between V_{ppmin} and 1V. The lower end of the CMR range is dependent on V_{EE} and is equal to $V_{EE} + 1.8V$.

