

Pb Free Plating Product

B2045G thru B20200G



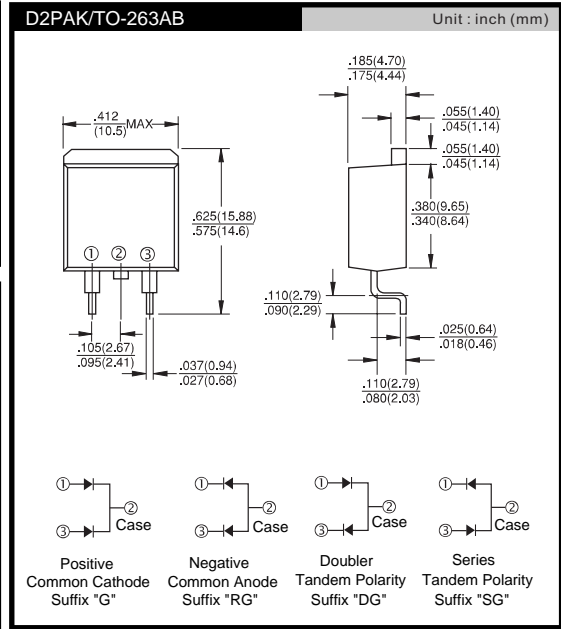
20.0 Ampere Surface Mount Dual Common Cathode Schottky Barrier Rectifiers

**Features**

- ★ ThinkiSemi Planar Schottky Technology
- ★ Good Soft Recovery Characteristics
- ★ Ideally Suited for Automatic Assembly
- ★ Low Forward Voltage
- ★ High Surge Current Capability
- ★ Low Leakage Current

**Applications**

- ★ Freewheeling, Snubber, Clamp
- ★ Inversion Welder
- ★ PFC
- ★ Plating Power Supply
- ★ Ultrasonic Cleaner and Welder
- ★ Converter & Chopper
- ★ UPS/LED SMPS/HID



MAXIMUM RATINGS AND ELECTRICAL CHARACTERISTICS (T<sub>A</sub>=25°C unless otherwise noted)

PARAMETER	SYMBOL	B2045G	B2060G	B20100G	B20150G	B20200G	Unit
Marking code		B2045G	B2060G	B20100G	B20150G	B20200G	
Maximum repetitive peak reverse voltage	V <sub>RRM</sub>	45	60	100	150	200	V
Maximum RMS voltage	V <sub>RMS</sub>	31	42	70	105	140	V
Maximum DC blocking voltage	V <sub>DC</sub>	45	60	100	150	200	V
Maximum average forward rectified current	I <sub>F(AV)</sub>	20					A
Peak repetitive forward current (Rated VR, Square wave, 20KHz)	I <sub>FRM</sub>	20					A
Peak forward surge current, 8.3 ms single half sine-wave superimposed on rated load	I <sub>FSM</sub>	150					A
Peak repetitive reverse surge current (Note 1)	I <sub>RRM</sub>	1	0.5				A
Maximum instantaneous forward voltage (Note 2) I <sub>F</sub> =10A, T <sub>J</sub> =25°C I <sub>F</sub> =10A, T <sub>J</sub> =125°C	V <sub>F</sub>	0.70 0.60	0.80 0.70	0.85 0.75	0.99 0.87		V
Maximum reverse current @ rated VR T <sub>J</sub> =25°C T <sub>J</sub> =125°C	I <sub>R</sub>	0.1					mA
		15	10	5			
Voltage rate of change (Rated V <sub>R</sub> )	dV/dt	10000					V/μs
Typical thermal resistance	R <sub>θJC</sub>	1.5			2		°C/W
Operating junction temperature range	T <sub>J</sub>	- 55 to +150					°C
Storage temperature range	T <sub>STG</sub>	- 55 to +150					°C

Note 1: tp = 2.0 μs, 1.0KHz

Note 2: Pulse test with PW=300μs, 1% duty cycle

RATINGS AND CHARACTERISTICS CURVES

( $T_A=25^{\circ}\text{C}$  unless otherwise noted)

45V=B2045G  
 60V=B2060G  
 100V=B20100G  
 150V=B20150G  
 200V=B20200G

FIG.1 FORWARD CURRENT DERATING CURVE

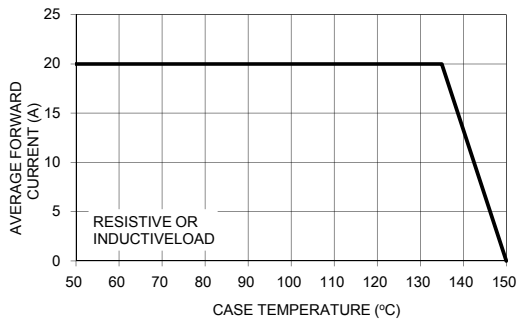


FIG. 2 MAXIMUM NON-REPETITIVE FORWARD SURGE CURRENT PER LEG

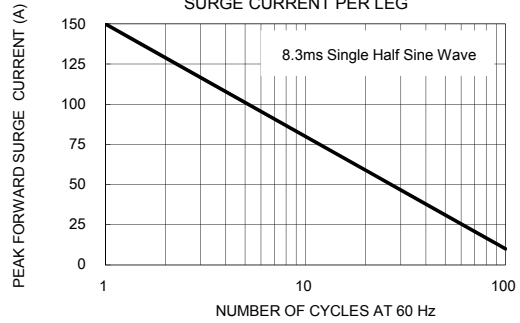


FIG. 3 TYPICAL FORWARD CHARACTERISTICS PER LEG

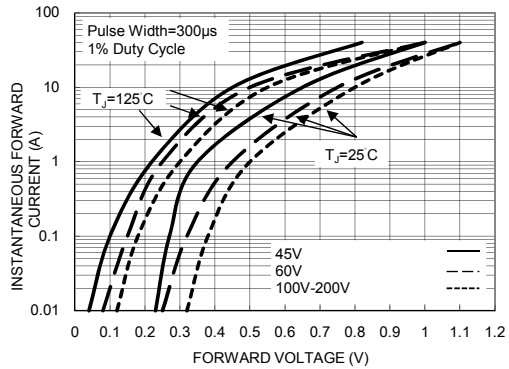


FIG. 4 TYPICAL REVERSE CHARACTERISTICS PER LEG

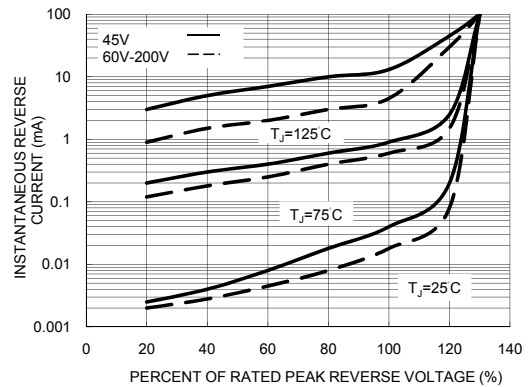


FIG. 5 TYPICAL JUNCTION CAPACITANCE PER LEG

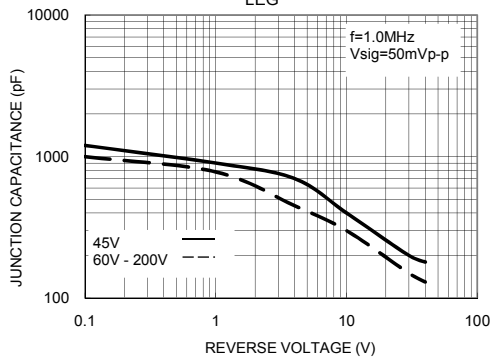


FIG. 6 TYPICAL TRANSIENT THERMAL IMPEDANCE PER LEG

