

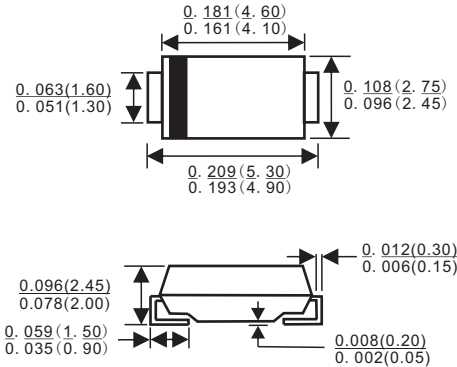


Features

- ✧ Plastic package has Underwriters Laboratory Flammability Classification 94V-0
- ✧ For surface mounted applications
- ✧ Low profile package
- ✧ Built-in strain relief
- ✧ Metal silicon junction, majority carrier conduction
- ✧ High surge capability
- ✧ High current capability, low forward voltage drop
- ✧ Low power loss, high efficiency
- ✧ For use in low voltage high frequency inverters, free wheeling and polarity protection applications
- ✧ Guardring for overvoltage protection
- ✧ High temperature soldering guaranteed: 250°C/10 seconds at terminals

REVERSE VOLTAGE: 20 --- 60 V
CURRENT: 2.0 A

SMA/DO-214AC



Dimensions in inches and (millimeters)

Mechanical Data

- ✧ Case: JEDEC DO-214AC, molded plastic over passivated chip
- ✧ Polarity: Color band denotes cathode end
- ✧ Weight: 0.002 ounces, 0.064 gram

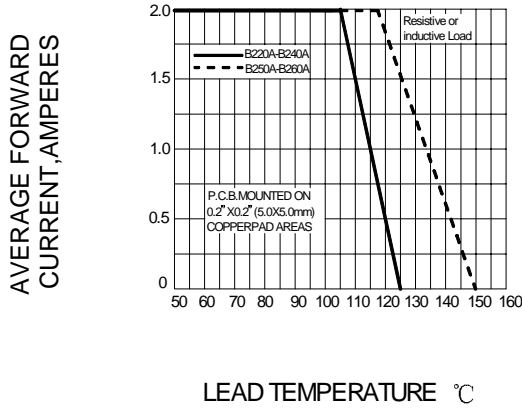
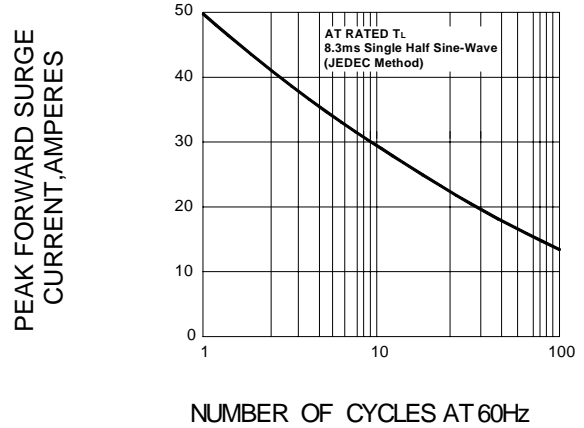
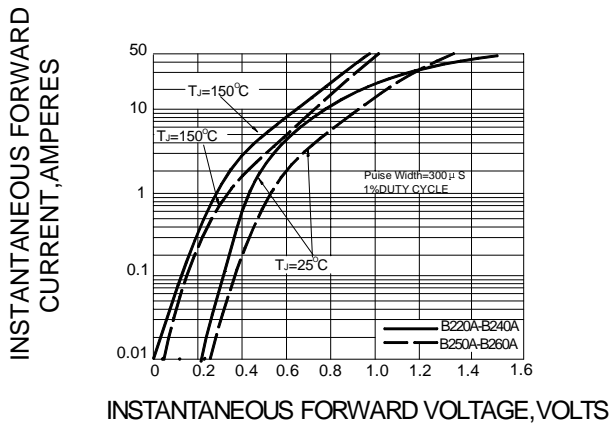
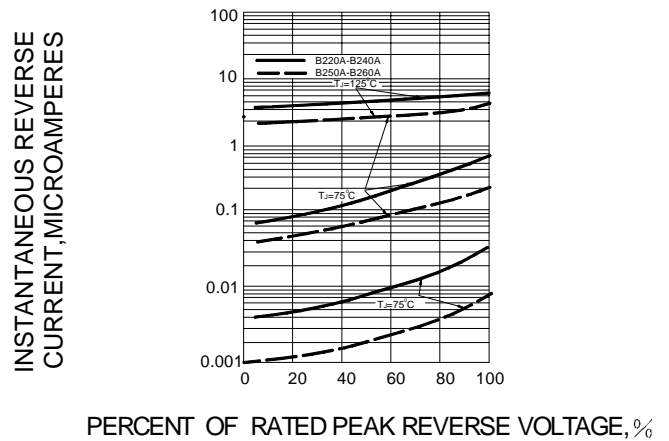
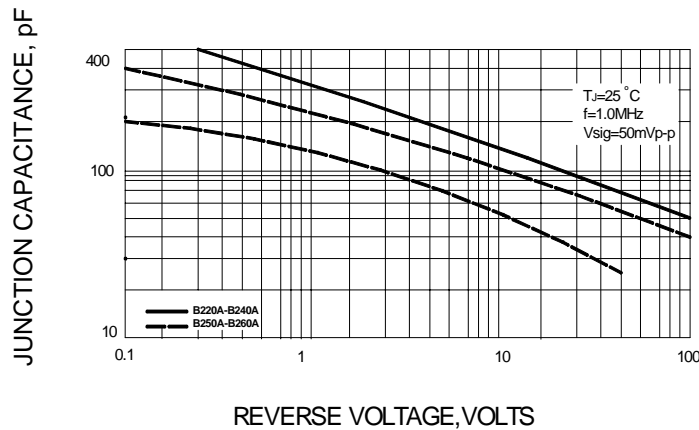
MAXIMUM RATINGS AND ELECTRICAL CHARACTERISTICS

Ratings at 25°C ambient temperature unless otherwise specified

		B220A	B230A	B240A	B250A	B260A	UNITS
Maximum recurrent peak reverse voltage	V_{RRM}	20	30	40	50	60	V
Maximum RMS voltage	V_{RWS}	14	21	28	35	42	V
Maximum DC blocking voltage	V_{DC}	20	30	40	50	60	V
Maximum average forward rectified current at T_c (SEE FIG.1)	$I_{(AV)}$	2.0					A
Peak forward surge current 8.3ms single half-sine-wave superimposed on rated load (JEDEC Method)	I_{FSM}	50.0					A
Maximum instantaneous forward voltage at 2.0A (NOTE.1)	V_F	0.5			0.7		V
Maximum DC reverse current (NOTE1) @ $T_A=25^\circ C$ at rated DC blocking voltage @ $T_A=100^\circ C$	I_R	0.5 20.0					mA
Typical junction capacitance (NOTE2)	$R_{\theta JL}$	15.0					°C/W
Operating junction and storage temperature range	T_{STG}	-65 --- +150					°C
Storage temperature range	T_J	-65 --- +150			-65 --- +150		°C

NOTE: 1. Pulse test: 300 μ s pulse width, 1% duty cycle
 2. P.C.B. mounted with 0.2"X0.2" (5.0X5.0mm²) copper pad areas

Ratings AND Characteristic Curves

FIG.1 – FORWARD DERATING CURVE

FIG.2– PEAK FORWARD SURGE CURRENT

FIG.3 – TYPICAL FORWARD CHARACTERISTICS

FIG.4 – TYPICAL REVERSE CHARACTERISTICS

FIG.5-TYPICAL JUNCTION CAPACITANCE


PACKAGE	SPQ/PCS	CARTON SPQ/PCS	CARTON SIZE/CM	CARTON GW/KG	CARTON NW/KG
SMA	5000/REEL	80000	36X30.6X31	12.00	11.00