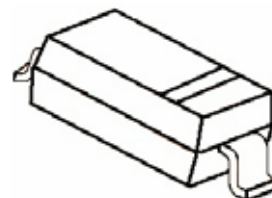


Plastic-Encapsulate Schottky Barrier Diode

B5817WSV
B5818WSV
B5819WSV

SOD-323



Marking: B5817WS: SJ
B5818WS: SK
B5819WS: SL

Solid dot = Green molding compound device

Features

- High Current Capability
- Low Forward Voltage Drop
- P/N suffix V means AEC-Q101 qualified, eg.B5817WSV
- P/N suffix V means Halogen-free

Mechanical Data

- SOD-323 Small Outline Plastic Package
- Polarity: Color band denotes cathode end
- Mounting Position: Any

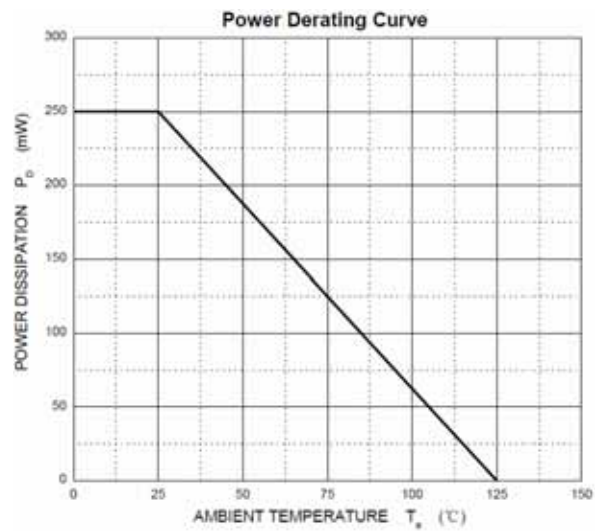
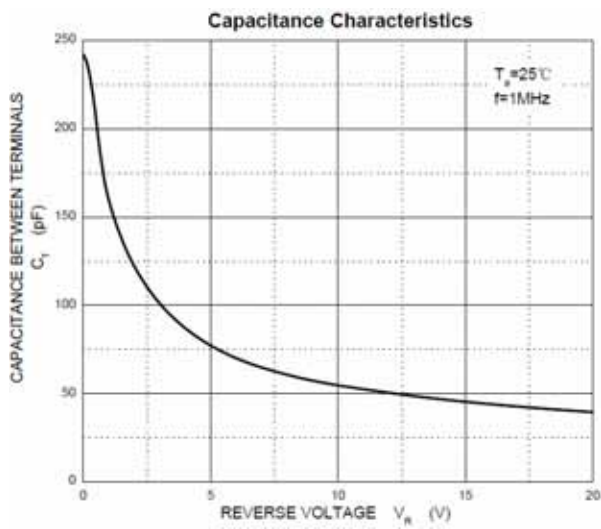
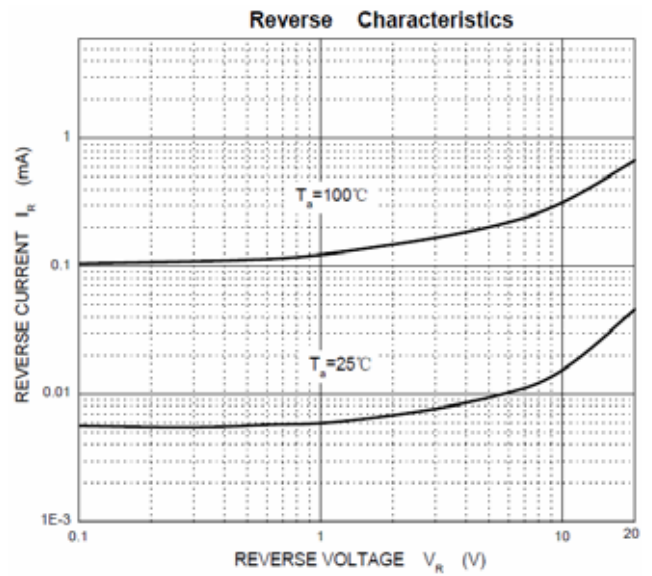
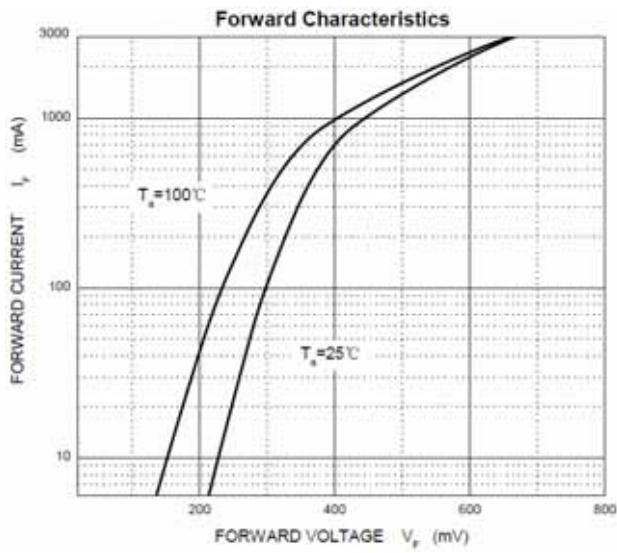
Maximum Ratings & Thermal Characteristics (Ratings at 25°C ambient temperature unless otherwise specified.)

Parameters	Symbol	B5817WS	B5818WS	B5819WS	Unit
Maximum repetitive peak reverse voltage	VRRM	20	30	40	V
Maximum RMS voltage	VRMS	14	21	28	V
Maximum DC blocking voltage	VDC	20	30	40	V
Maximum average forward rectified current	IFM	1.0			A
Peak forward surge current 8.3 ms single half sine-wave	IFSM	9			A
Typical Current Squared Time	I ² T	0.337			A ² S
Typical thermal resistance	R _{θJA}	400			°C/W
Power Dissipation	PD	250			mW
Operating junction temperature	T _j	125			°C
Storage temperature range	TSTG	-50-+150			°C

Electrical Characteristics (Ratings at 25°C ambient temperature unless otherwise specified).

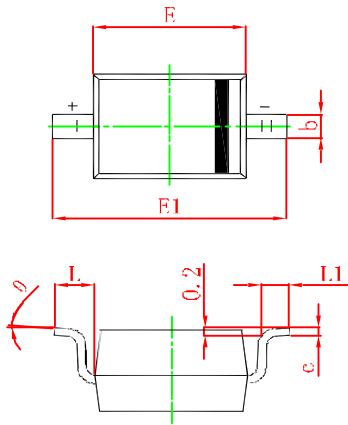
Parameters	Symbol	Test conditions	B5817WS	B5818WS	B5819WS	Unit
Maximum forward voltage	V _F	IF = 1.0A IF = 3.0A	0.450 0.750	0.550 0.875	0.600 0.900	V
Maximum reverse breakdown voltage	V _R	IR=1mA	20	30	40	V
Maximum reverse current	I _R	VR=20V B5817WS VR=30V B5818WS VR=40V B5819WS	1.0			mA
Type junction capacitance	C _j	VR = 4.0V, f = 1MHz	120			pF

RATING AND CHARACTERISTICS CURVES (B5817WSV/B5818WSV/B5819WSV)



SOD-323 PACKAGE OUTLINE Plastic surface mounted package

SOD-323

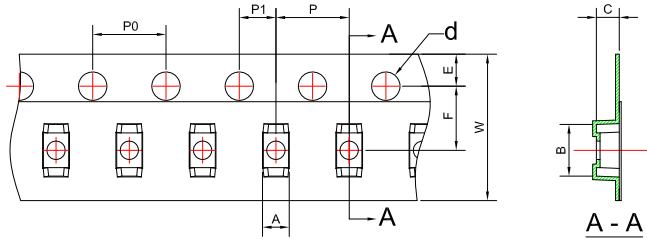


Symbol	Min.(mm)	Max.(mm)
A		1.200
A1	0.000	0.100
A2	0.800	1.100
b	0.250	0.350
c	0.080	0.150
D	1.200	1.400
E	1.600	1.800
E1	2.500	2.700
L	0.475REF	
L1	0.250	0.400
θ	0°	8°

SOD-323 Tape and Reel

SOD-323 Embossed Carrier Tape

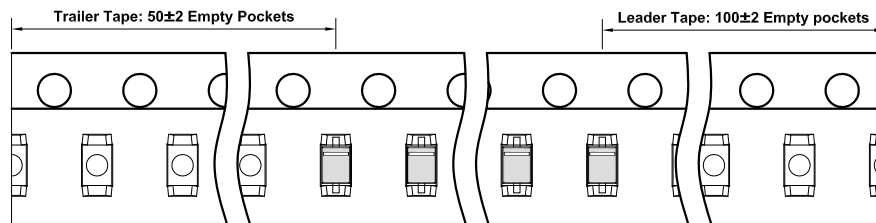
Packaging Description:



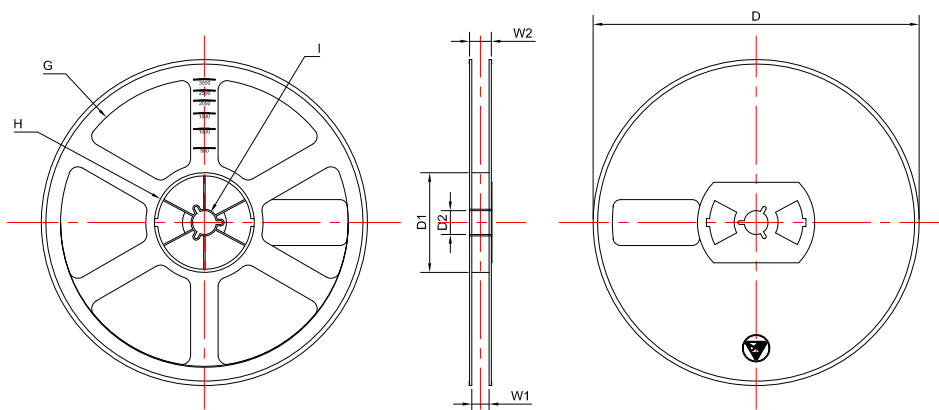
SOD-323 parts are shipped in tape. The carrier tape is made from a dissipative (carbon filled) polycarbonate resin. The cover tape is a multilayer film (heat Activated Adhesive in nature) primarily composed of polyester film, adhesive layer, sealant, and anti-static sprayed agent. The reels are blue in color and made of recyclable plastic.

Dimensions are in millimeter										
Pkg Type	A	B	C	d	E	F	P0	P	P1	W
SOD-323	1.46	2.90	1.25	Ø1.50	1.75	3.50	4.00	4.00	2.00	8.00
(Tolerance)	± 0.05	± 0.05	± 0.05	± 0.1	± 0.1	± 0.1	± 0.1	± 0.1	± 0.1	+0.3/-0.1

SOD-323 Tape Leader and Trailer



SOD-323 Reel



Unit: mm

Reel Option	D	D1	D2	G	H	I	W1	W2
7" Dia	Ø178.00	54.40	13.00	R78.00	R25.60	R6.50	9.50	12.30
Tolerance	± 2	± 1	± 1	± 1	± 1	± 1	± 1	± 1

Packaging Quantity

Reel	Reel Size	Box	Box Size(mm)	Carton	Carton Size(mm)
3,000	7 inch	45,000	210*208*203	180,000	440*440*230

DISCLAIMER NOTICE

Rectron Inc reserves the right to make changes without notice to any product specification herein, to make corrections, modifications, enhancements or other changes. Rectron Inc or anyone on its behalf assumes no responsibility or liability for any errors or inaccuracies. Data sheet specifications and its information contained are intended to provide a product description only. "Typical" parameters which may be included on RECTRON data sheets and/ or specifications can and do vary in different applications and actual performance may vary over time. Rectron Inc does not assume any liability arising out of the application or use of any product or circuit.

Rectron products are not designed, intended or authorized for use in medical, life-saving implant or other applications intended for life-sustaining or other related applications where a failure or malfunction of component or circuitry may directly or indirectly cause injury or threaten a life without expressed written approval of Rectron Inc. Customers using or selling Rectron components for use in such applications do so at their own risk and shall agree to fully indemnify Rectron Inc and its subsidiaries harmless against all claims, damages and expenditures.