

Features:

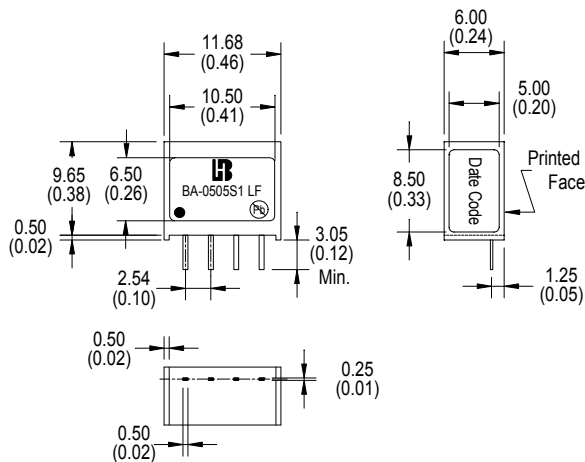
- Input Filter With Internal Capacitor
- Input / Output Isolation 1K Vdc
- Low Ripple And Noise
- 100% Burn-In
- Un-Regulated type
- Net Weight : 1.4 g / 1.8 g Typical
- 4 Pin SIL / 8 Pin DIL Package
- Custom Design Available

Technical Specification(1/2):

Model No.	Input Voltage (Vdc)	Output Voltage (Vdc)	Output Current (mA) Max	Input Current @No Load (mA) Typ.	Input Current @Max. Load (mA) Typ.	Output Ripple (mV) Max.	Load Regulation (%) Max.	Efficiency (%)Typ.
1) 0.5 W Single Output SIL Package Style								
BA-053R3S LF	5	3.3	150	28	133	50	± 12	74
BA-0505S LF		5	100	28	135	60	± 10	74
BA-0512S LF		12	42	28	133	100	± 8	76
BA-1205S LF	12	5	100	18	56	60	± 8	74
BA-1212S LF		12	42	18	55	100	± 8	76
BA-2405S LF	24	5	100	5	29	60	± 8	72
2) 1.0 W Single Output SIL Package Style								
BA-053R3S1 LF	5	3.3	300	30	267	50	± 10	74
BA-0505S1 LF		5	200	30	253	60	± 8	79
BA-0512S1 LF		12	100	30	307	100	± 8	78
BA-1205S1 LF	12	5	200	14	105	60	± 8	79
BA-1212S1 LF		12	84	14	105	100	± 8	79
BA-2405S1 LF	24	5	200	5	54	60	± 8	77

Mechanical Dimensions(1/2):

Single Output SIL Package Style



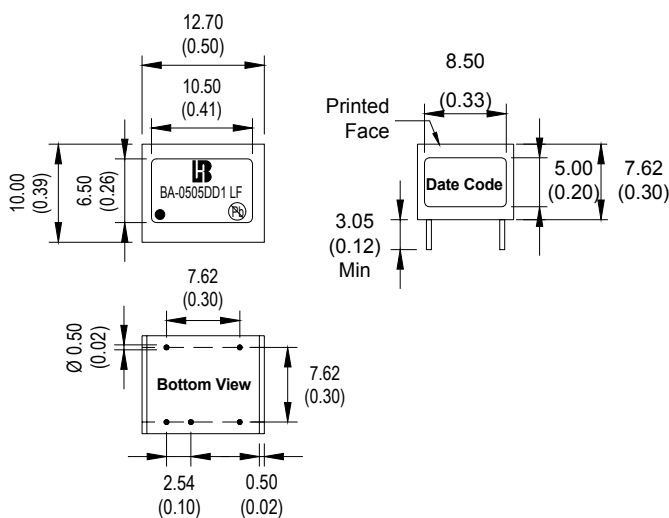
Pin	1K Vdc - Single
1	-Vin
2	+Vin
3	-Vo
4	+Vo

Technical Specification(2/2):

Model No.	Input Voltage (Vdc)	Output Voltage (Vdc)	Output Current (mA) Max	Input Current @No Load (mA) Typ.	Input Current @Max. Load (mA) Typ.	Output Ripple (mV) Max.	Load Regulation (%) Max.	Efficiency (%)Typ.
3) 0.5 W Single Output DIL Package Style								
BA-053R3D LF	5	3.3	150	28	133	50	± 12	74
BA-0505D LF		5	100	28	135	60	± 10	74
BA-0512D LF		12	42	28	133	100	± 8	76
BA-1205D LF	12	5	100	18	56	60	± 8	74
BA-1212D LF		12	42	18	55	100	± 8	76
BA-2405D LF	24	5	100	5	29	60	± 8	72
4) 1.0 W Single Output DIL Package Style								
BA-053R3D1 LF	5	3.3	300	30	267	50	± 10	74
BA-0505D1 LF		5	200	30	253	60	± 8	79
BA-0512D1 LF		12	100	30	307	100	± 8	78
BA-1205D1 LF	12	5	200	18	105	60	± 8	79
BA-1212D1 LF		12	84	18	105	100	± 8	79
BA-2405D1 LF	24	5	200	5	54	60	± 8	77
5) 1.0 W Dual Output DIL Package Style								
BA-0505DD1 LF	5	± 5	± 100	30	263	60	± 10	76
BA-0512DD1 LF		± 12	± 42	30	253	100	± 8	79
BA-0515DD1 LF		± 15	± 34	30	255	120	± 8	80
BA-1205DD1 LF	12	± 5	± 100	18	104	60	± 8	80
BA-1212DD1 LF		± 12	± 42	18	104	100	± 8	80
BA-2405DD1 LF	24	± 5	± 100	5	55	60	± 8	76
BA-2412DD1 LF		± 12	± 42	4	55	100	± 8	76
BA-2415DD1 LF		± 15	± 34	4	55	120	± 8	76

Mechanical Dimensions(2/2):

DIL Package Style



Pin	Single		Pin	Dual		Pin
1	-Vin	No Pin	8	-Vin	-Vo	8
2	No Pin	-Vo	7	No Pin	Common	7
3	No Pin	No Pin	6	No Pin	No Pin	6
4	+Vin	+Vo	5	+Vin	+Vo	5