

Low-current audio headphone driver

BA3575FS

The BA3575FS is a headphone driver with an AVC circuit that keeps the output below a fixed level. It features low current consumption, and low output noise, and is ideal for use in portable digital audio equipment.

●Applications

Portable CD players

●Features

- 1) Low current consumption (when $V_{CC} = 2.4$ V, the quiescent current is 4.9mA).
- 2) Suitable for use in digital audio equipment (voltage gain: $G_V = 11.8$ dB, output noise voltage: $V_{NO} = -102$ dBm typ.).
- 3) ATT circuit (gain switch).
- 4) AVC (Auto Volume Control) circuit, for output limiting.
- 5) Internal standby switch.
- 6) Internal mute switch.
- 7) Internal ripple filter.
- 8) No output coupling capacitor required.
- 9) Internal beep circuit.
- 10) SSOP-A20 package.

●Absolute maximum ratings ($T_a = 25^\circ\text{C}$)

Parameter	Symbol	Limits	Unit
Power supply voltage	V_{CC}	9.0	V
Power dissipation	P_d	600*1	mW
Operating temperature	T_{opr}	$-25 \sim +75$	$^\circ\text{C}$
Storage temperature	T_{stg}	$-55 \sim +125$	$^\circ\text{C}$

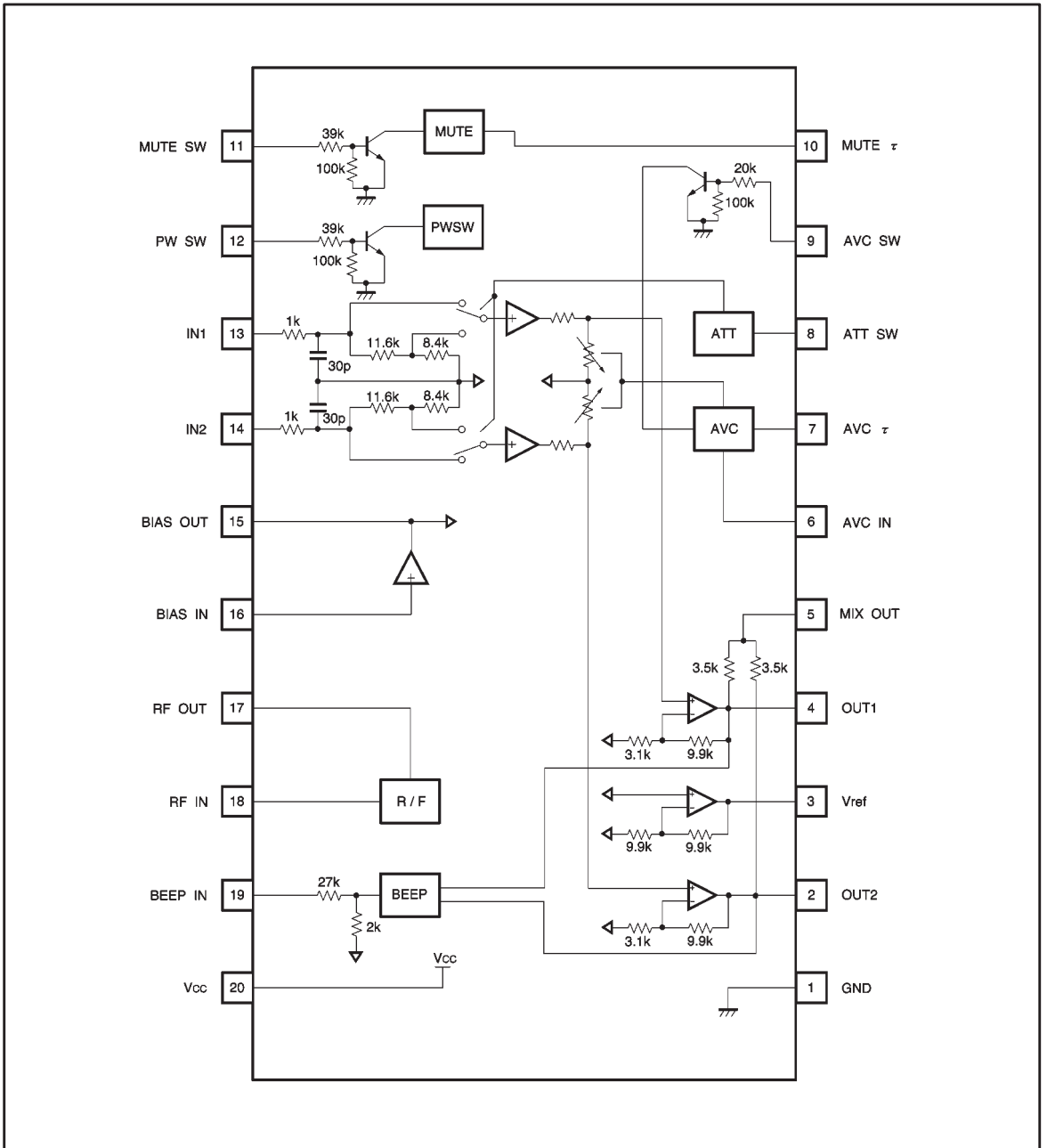
*1 Reduced by 6.0mW for each increase in T_a of 1°C over 25°C .

●Recommended operating conditions ($T_a = 25^\circ\text{C}$)

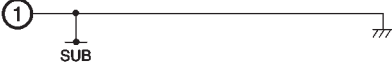
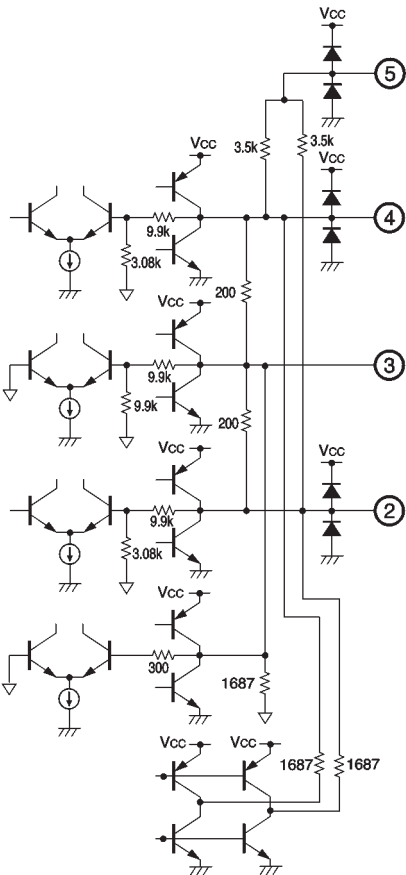
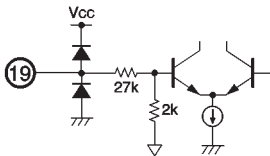
Parameter	Symbol	Min	Max	Unit
Power supply voltage*2	V_{CC}	1.7	3.6	V

*2 When $V_{CC} \geq 3.6$ V, do not exceed the maximum allowable output power.

●Block diagram



● Pin descriptions

Pin No.	Pin name	I/O	DC voltage (V)	Equivalent circuit	Function
1	GND	I	0		Ground (SUB pin)
2	OUT2	O	1.23		Power amplifier output Beep amplifier output (ch2)
3	Vref	O	1.23		Center amplifier output
4	OUT1	O	1.23		Power amplifier output Beep amplifier output (ch1)
5	MIX OUT	O	1.23		Power amplifier MIX output
19	BEEP IN	I	1.23		

Pin No.	Pin name	I / O	DC voltage (V)	Equivalent circuit	Function
6	AVC IN	I	1.23		AVC detector input
9	AVC SW	I	0 (OPEN)		AVC ON/OFF switch
7	AVC τ	I / O	When detecting 0.7 Not detecting 0		AVC detector output smoothing
8	ATT SW	I	—		Gain switch

Pin No.	Pin name	I / O	DC voltage (V)	Equivalent circuit	Function
10	MUTE τ	I / O	MUTE ON 0.1 MUTE OFF 0.7		Mute switch time constant
11	MUTE SW	I	0 (OPEN)		Mute ON/OFF switch
12	PW SW	I	0 (OPEN)		Power ON/OFF switch
13	IN1	I	1.23		Preamplifier input (ch2)
14	IN2	I	1.23		Preamplifier input (ch1)

Pin No.	Pin name	I / O	DC voltage (V)	Equivalent circuit	Function
15	BIAS OUT	O	1.23		Bias amplifier output
16	BIAS IN	I	1.23		Bias amplifier input
17	RF OUT	O	2.15		Ripple filter amplifier output
18	RF IN	I	0.6		Ripple filter amplifier input
20	Vcc	I	2.4		Power supply input

- Electrical characteristics(unless otherwise noted, Ta = 25°C, Vcc = 2.4V, RL = 16Ω, f = 1kHz, DIN AUDIO, PWSW = ON, MUTE = OFF, ATT = OFF, and AVC = OFF)

Parameter	Symbol	Min.	Typ.	Max.	Unit	Coniditions
Circuit current 1	Icc1	—	0.2	3.0	μA	VIN=0, RL=OPEN, PWSW=OFF, AVCSW=OPEN
Circuit current 2	Icc2	—	3.1	4.7	mA	VIN=0, RL=OPEN, MUTE=ON, AVCSW=OPEN
Circuit current 3	Icc3	—	4.9	7.5	mA	VIN=0, RL=OPEN, AVCSW=OPEN
Operating circuit current	IIN	—	17.0	26.0	mA	POUT=0.5mW, RL=16Ω
Voltage gain 1	Gv1	9.8	11.8	13.8	dB	
Voltage gain 2	Gv2	2.3	4.3	6.3	dB	ATT=ON
Rated output power 1	Pout1	19	40	—	mW	THD=10%
Rated output power 2	Pout2	8	15	—	mW	THD=10%, Vcc=1.8V
Total harmonic distortion	THD	—	0.1	0.5	%	Vo=0.3Vrms
Output noise voltage	VNO	—	−102	−97	dBm	IHF-A, Rg=0
Input resistance	RIN	14.5	21.0	27.5	kΩ	
Ripple rejection 1	RR1	73	79	—	dB	fRR=100Hz, VRR=−20dBm, Rg=0
Ripple rejection 2	RR2	66	79	—	dB	Rg=0, VRR=−20dBm, Vcc=1.8V fRR=100Hz
AVC level	VAVC	−42.5	−40.5	−38.5	dBV	VIN=−30dBV
Channel separation	CS	24	44	—	dB	Vo=−10dBV
Mute level	ML	80	90	—	dB	VIN=−20dBV
Beep output voltage	VBEEP	1.1	3.0	5.8	mVrms	VBEEP IN=0dBV
Power ON voltage	VPW ON	—	0.95	1.4	V	
Power ON pin current	IPW SW	—	105	150	μA	VPW SW=3.0V
Mute ON voltage	VMUTE ON	—	0.95	1.4	V	
Mute pin current	IMUTE	—	105	150	μA	VMUTE=3.0V
AVC OFF voltage	VAVC OFF	—	0.85	1.3	V	
AVC pin current	IAVC OFF	—	85	130	μA	VAVC=3.0V

©Not designed for radiation resistance.

● Measurement circuit

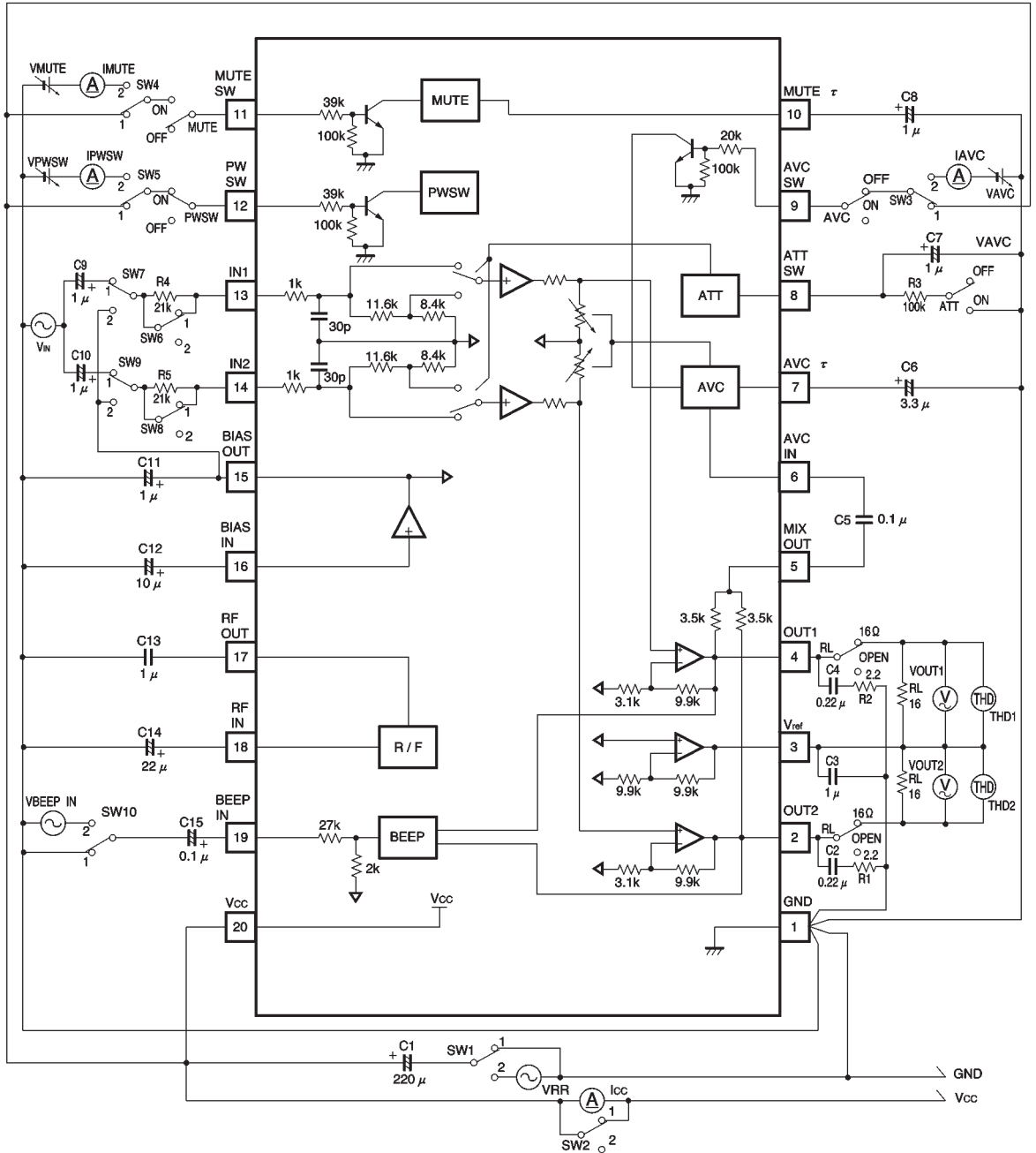


Fig.1

Units
 Resistance : Ω (±1%)
 Capacitance (film) : F (±1%)
 Capacitance (electrolytic): F (±5%)

● Measurement circuit switch table (Fig.1)

Parameter	Symbol	MUTE	PwSw	ATT	AVC	R _L	SW1	SW2	SW3	SW4	SW5	SW6	SW7	SW8	SW9	SW10
Circuit current 1	I _{cc1}	OFF	OFF	OFF	ON	OPEN	1	2	1	1	1	1	2	1	2	1
Circuit current 2	I _{cc2}	ON	ON	↓	↓	↓	↓	↓	↓	↓	↓	↓	↓	↓	↓	↓
Circuit current 3	I _{cc3}	OFF	↓	↓	↓	↓	↓	↓	↓	↓	↓	↓	↓	↓	↓	↓
Operating circuit current	I _{in}	↓	↓	↓	OFF	16Ω	↓	↓	↓	↓	↓	↓	1	↓	1	↓
Voltage gain 1	G _{v1}	↓	↓	↓	↓	↓	↓	1	↓	↓	↓	↓	↓	↓	↓	↓
Voltage gain 2	G _{v2}	↓	↓	ON	↓	↓	↓	↓	↓	↓	↓	↓	↓	↓	↓	↓
Rated output power 1	P _{OUT1}	↓	↓	OFF	↓	↓	↓	↓	↓	↓	↓	↓	↓	↓	↓	↓
Rated output power 2	P _{OUT2}	↓	↓	↓	↓	↓	↓	↓	↓	↓	↓	↓	↓	↓	↓	↓
Total harmonic distortion	THD	↓	↓	↓	↓	↓	↓	↓	↓	↓	↓	↓	↓	↓	↓	↓
Output noise voltage	V _{No}	↓	↓	↓	↓	↓	↓	↓	↓	↓	↓	↓	2	↓	2	↓
Input resistance	R _{IN}	↓	↓	↓	↓	↓	↓	↓	↓	↓	↓	2	1	2	1	↓
Ripple rejection 1	RR1	↓	↓	↓	↓	↓	2	↓	↓	↓	↓	1	2	1	2	↓
Ripple rejection 2	RR2	↓	↓	↓	↓	↓	↓	↓	↓	↓	↓	↓	↓	↓	↓	↓
AVC level	V _{AVC}	↓	↓	↓	ON	↓	1	↓	↓	↓	↓	↓	1	↓	1	↓
Channel separation	CS	↓	↓	↓	OFF	↓	↓	↓	↓	↓	↓	↓	1 2	↓	2 1	↓
Mute level	ML	ON	↓	↓	↓	↓	↓	↓	↓	↓	↓	↓	1	↓	1	2
Beep output voltage	V _{BEEP}	↓	↓	↓	↓	↓	↓	↓	↓	↓	↓	↓	2	↓	2	1
Power ON voltage	V _{PW ON}	OFF	↓	↓	↓	↓	↓	↓	↓	↓	2	↓	1	↓	1	↓
Power ON pin current	I _{PW SW}	↓	↓	↓	↓	↓	↓	↓	↓	↓	↓	↓	2	↓	2	↓
Mute ON voltage	V _{MUTE ON}	ON	↓	↓	↓	↓	↓	↓	↓	2	1	↓	↓	↓	↓	2
Mute pin current	I _{MUTE}	↓	↓	↓	↓	↓	↓	↓	↓	↓	↓	↓	↓	↓	↓	1
AVC OFF voltage	V _{AVC OFF}	OFF	↓	↓	↓	↓	↓	↓	2	1	↓	↓	1	↓	1	↓
AVC pin current	I _{AVC OFF}	↓	↓	↓	↓	↓	↓	↓	↓	↓	↓	↓	2	↓	2	↓

●Application example

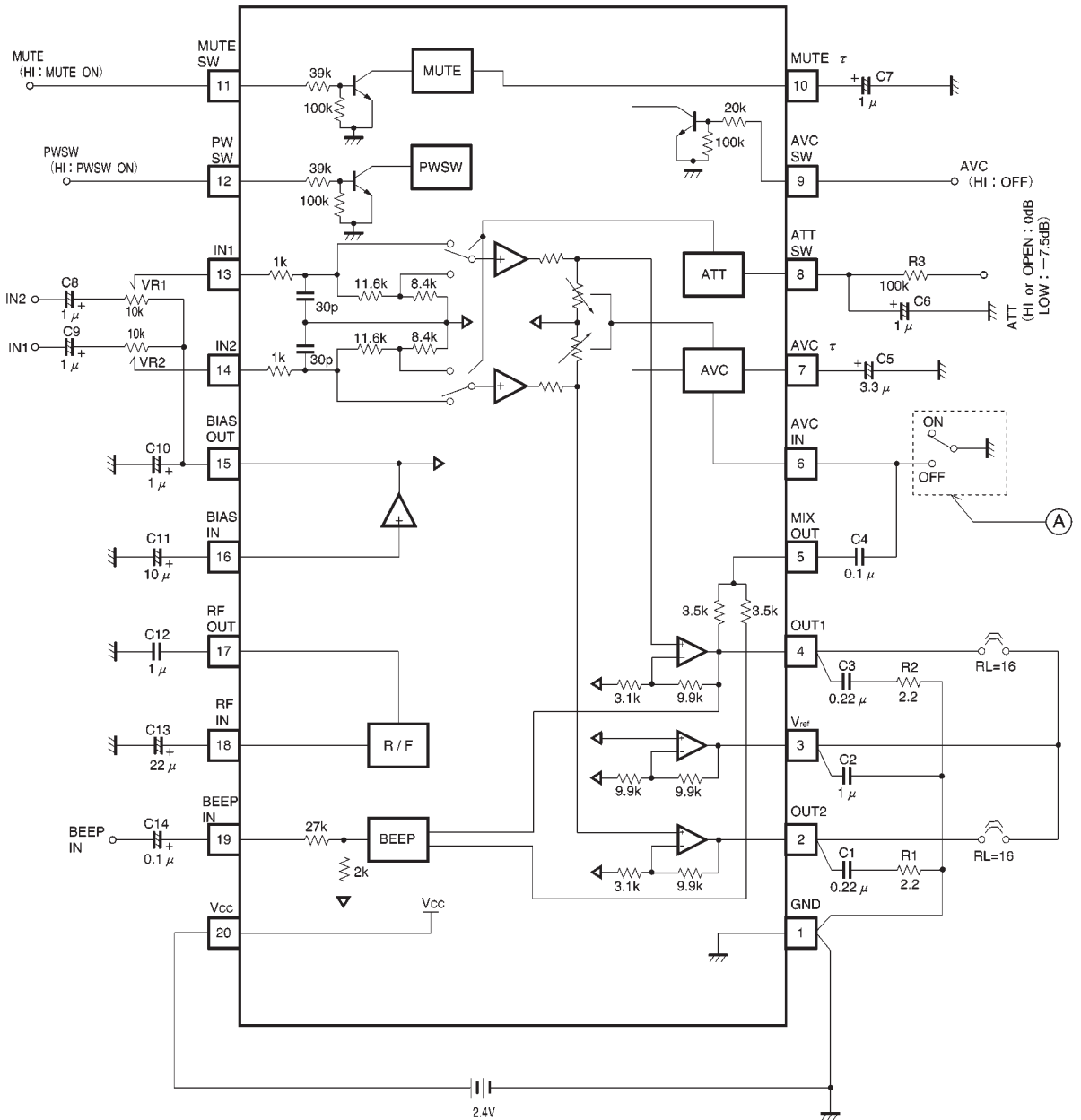


Fig.2

Note: AVC on/off control is also possible using switch A.

- Units
 Resistance : Ω (± 5%)
 Capacitance (film) : F (±10%)
 Capacitance (electrolytic): F (±20%)

●Application notes

(1) “Pop” sound

By operating the BA3575FS according to the timing chart shown in Fig.3, it is possible to suppress generation of “pop” noise in the headphone output.

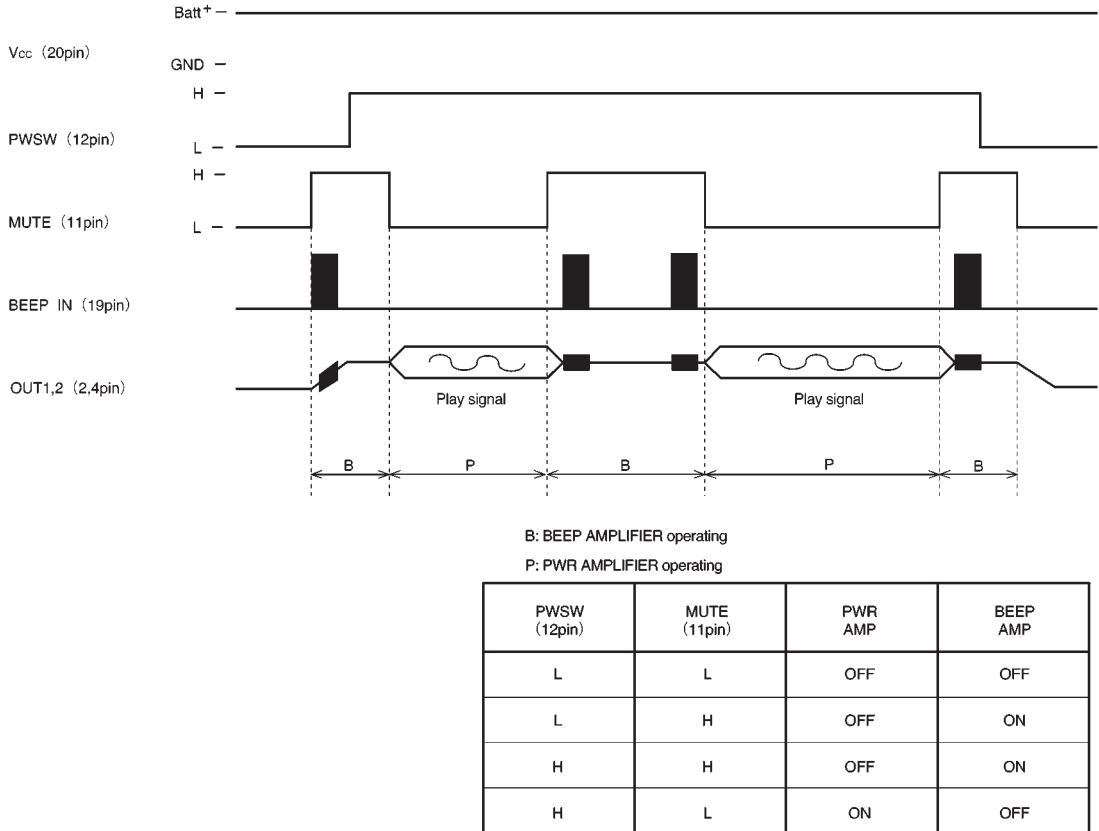


Fig.3 Time chart

(2) Application circuits

Provided the recommended circuit constants are used, the application circuits should function correctly. However, we recommend that you confirm the characteristics of the circuits in actual use. If you change the circuit constants, check both the static and transient characteristics of the circuit, and allow sufficient margin to accommodate variations between both ICs and external components.

In particular, the capacitors connected to the OUT 1, OUT 2, and V_{REF} pins must have low impedance at high frequency, and have sufficient margin in their temperature characteristics.

Also, use an electrolytic or tantalum capacitor for the capacitor connected to the BIASOUT terminal.

(3) The PCB pattern for the external components should be designed carefully to prevent oscillation and degradation of the circuit characteristics. Keep the wiring tracks as short as possible, and ensure that there is no impedance between the common connections.

The ripple filter pins (1 and 2) and the bias amplifier pins (3 and 4) cannot be used for external power supplies or reference voltages.

(4) Recommended operating conditions

The curves in Fig.4 below show the maximum allowable power output ($P_{O(MAX.)}/ch$) plotted against the supply voltage (V_{CC}) for different values of ambient temperature (T_a). When $V_{CC} \geq 3.6V$, operate the IC in the region below the dotted line, and do not exceed it.

If the maximum allowable power output for each channel ($P_{O(MAX.)}/ch$) is exceeded, the internal power consumption will exceed the power dissipation capacity of the package, and destroy the IC.

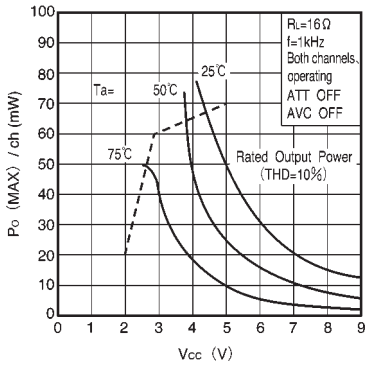


Fig.4 Maximum allowable power output per channel ($P_{O(MAX.)}/ch$) vs. supply voltage (V_{CC})

● Electrical characteristics curves

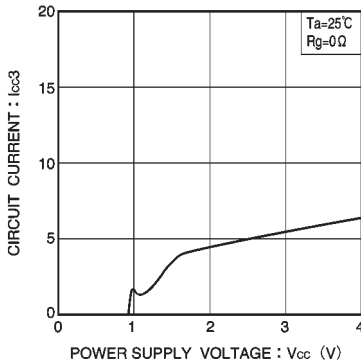


Fig.5 Quiescent current vs. power supply voltage

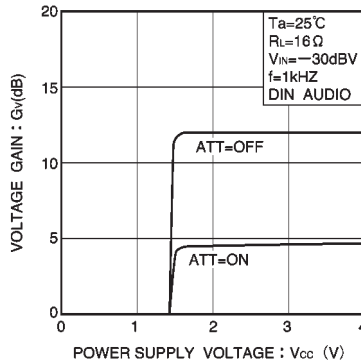


Fig.6 Voltage gain vs. power supply voltage

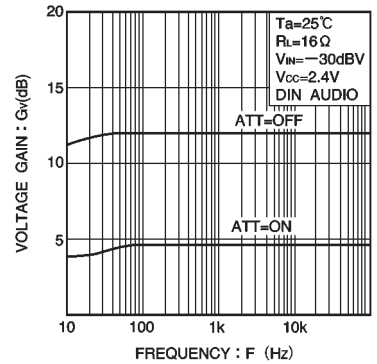


Fig.7 Voltage gain vs. frequency

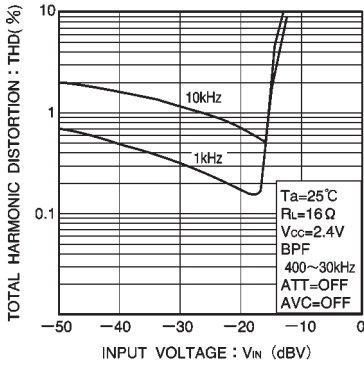


Fig.8 Total harmonic distortion vs. input voltage

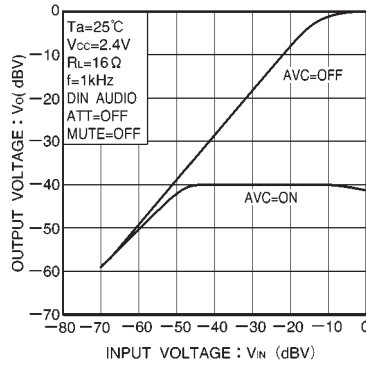


Fig.9 Output voltage vs. input voltage

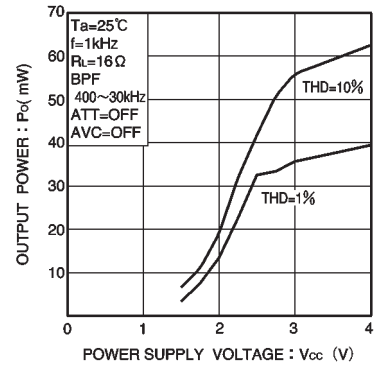


Fig.10 Output voltage vs. power supply voltage

● External dimensions (Units: mm)

