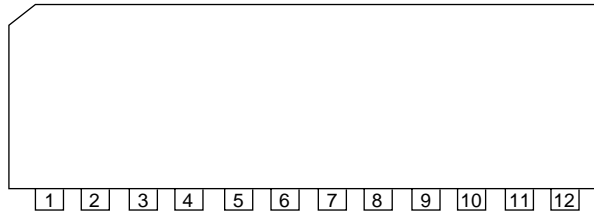


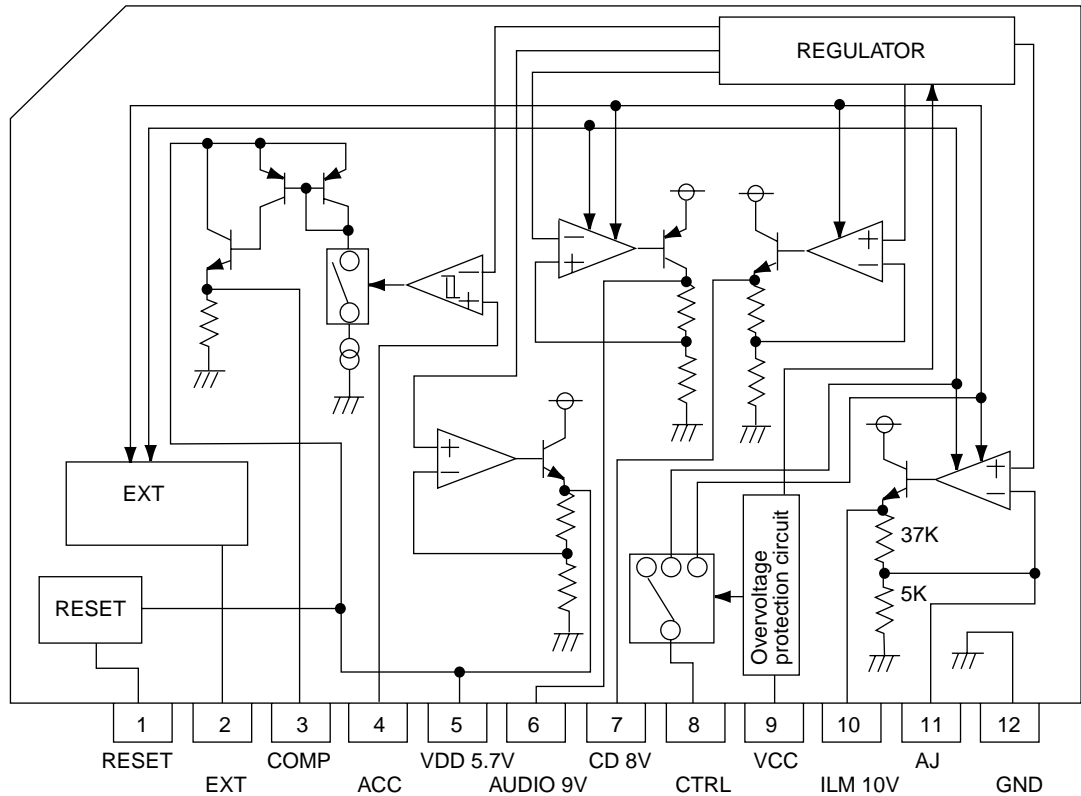
# Description of major ICs

## ■ BA4905-V3 (IC961) : Regulator

### 1.Pin layout



### 2.Block diagram



### 3.Pin function

Pin no.	Symbol	Function
1	RESET	If VDD voltage becomes 4V or less. RESET output becomes low level.
2	EXT output	This output voltage is approximately 0.5V lower than VCC. and max output current is 300mA.
3	COMP output	A voltage supply for ACC block. This output voltage is approximately 0.7V lower than VDD'S. The max output current is 100mA.
4	ACC	Control of the COMP output by inputting voltage.
5	VDD output	This output voltage is 5.7V, and max output current is 100mA. This voltage supply is for microcomputer. Whenever back up voltage supply is connected, the output keeps on running.
6	AUDIO output	This output voltage is 9.0v, and max output current is 500mA. This voltage supply for AUDIO.
7	CD output	This output voltage is 8.0V, and max output current is 1A. This voltage supply for CD.
8	CTRL	Output selector of CD. AUDIO, ILM and EXT.
9	VCC	To be connected with the BACK UP of car.
10	ILM output	This output voltage is 10V, and max output current is 500mA. Output voltage is adjustable.
11	AJ	Putting a resistance between ILM and AJ or between AJ and GND makes ILM output voltage adjustable.
12	GND	Ground.