

# Primary lithium battery system BA 5368

12 V Primary lithium manganese dioxide (Li-MnO<sub>2</sub>) battery

The battery consists of 4 LM 22150 cells connected in series arranged in a cylindrical molded plastic case with recessed flat terminals at either end.

## Key Features

- Built in 1A fuse
- Plastic housing
- Flat recessed contact terminals
- No passivation delay effect
- Low self-discharge rate
- Non-restricted to Class 9

## Typical applications

- AN/PRC-90
- AN/PRC-90-2
- Rescue devices



### Electrical characteristics

Nominal OCV	13 V
Operating voltage	11.4 V
Cut-off voltage	9 V
Typical capacity at 40 mA to 9 V cut-off	
at 70°F (21°C)	830 mA
at -4°F (-20°C)	675 mA
Operating temperature	-29°C to +71°C / -20°F to +160°F
Storage	
Recommended max	+35°C / +95°F
Possible	-40°C to +71°C / -40°F to +160°F

### Physical characteristics

	Metric	Imperial
Maximum weight	145 g	5.1 oz
Weight of Li metal content	1.5 g	-
Diameter (max)		
body	24.6 mm	0.97 in
collar	27.7 mm	1.09 in
Length (max)	78.0 mm	3.05 in
Battery case	Plastic	

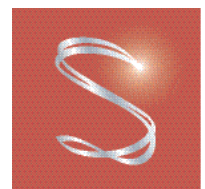
### References

MIL-PRF-49471B/13

MIL-PRF-32271/12

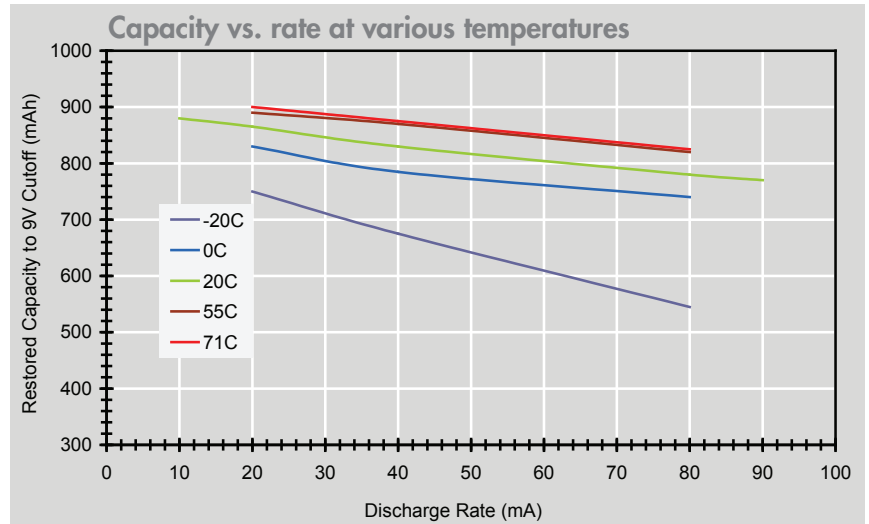
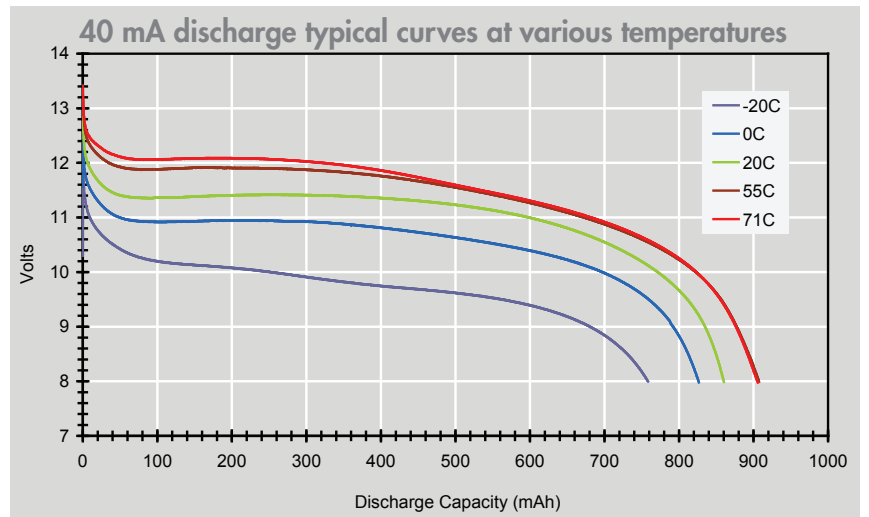
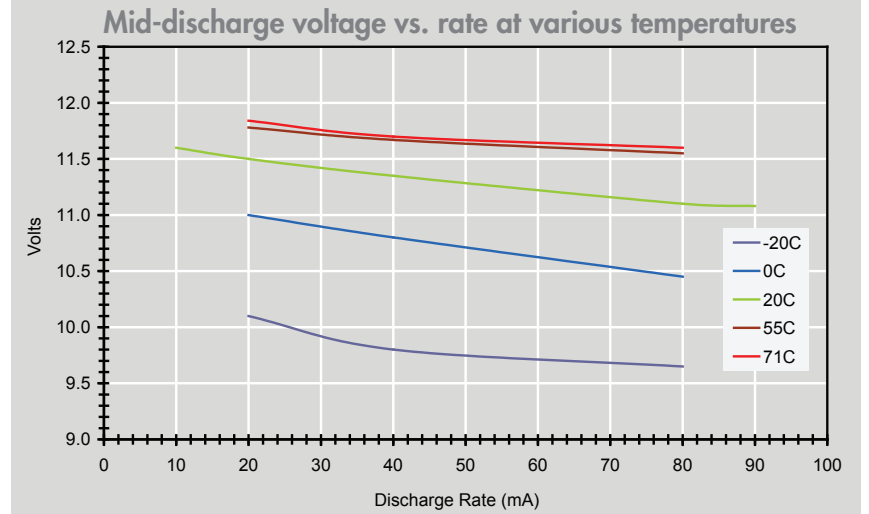
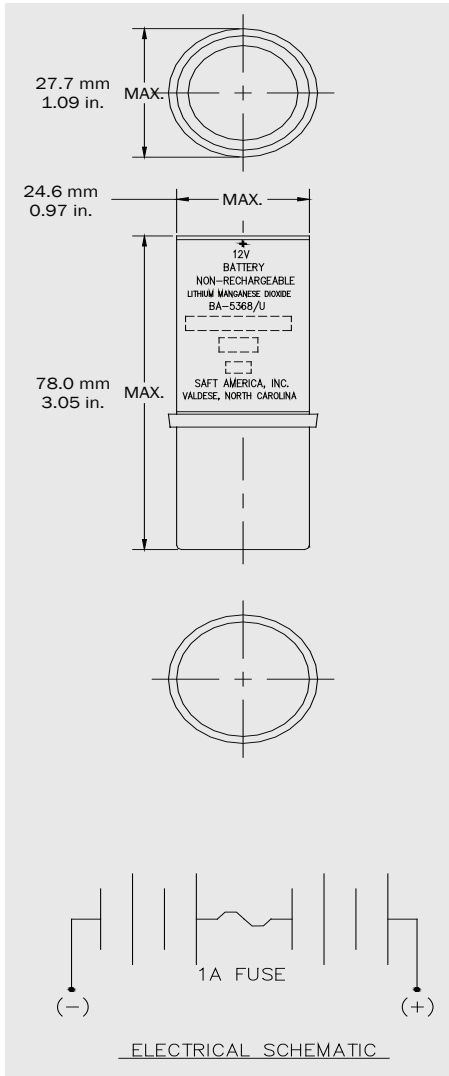
Nato Stock Number

6135-01-455-7947



SAFT

# BA 5368



**Saft**  
 12, rue Sadi Carnot  
 93170 Bagnolet France  
 Tel.: +33 (0)1 49 93 19 18  
 Fax: +33 (0)1 49 93 19 69  
[www.saftbatteries.com](http://www.saftbatteries.com)

**Saft**  
 313 Crescent St.  
 Valdese, NC 28690 - USA  
 Tel.: +1 (828) 874 4111  
 Fax: +1 (828) 874 3981  
[www.saftbatteries.com](http://www.saftbatteries.com)

Doc N° 21826-2-0512  
 Edition: May 2012  
 Information in this document is subject to change  
 without notice and becomes contractual only after  
 written confirmation by Saft.  
 Published by the Communications Department  
 Photo credit: Saft