

Structure : Silicon Monolithic Integrated Circuit
 Product Name : Power Driver For CD Players

Device Name : **BA5961FV**

- Features :
- BTL driver for CD players
 - Use of the SSOP-B20W power package allows downsizing of the set.
 - PreVcc and PowVcc are supplied independently to achieve an efficient drive. (PreVcc=12V, PowVcc=5V, 4.2V(Typ.) when RL=8Ω)
 - Incorporating a level shift circuit reduces the number of external components.
 - A built-in thermal shutdown circuit installed.
 - Three OP-AMPS (one pre-stage OP-AMP and two general OP-AMPS) installed.

○ ABSOLUTE MAXIMUM RATINGS

Parameter	Symbol	Limits	Unit
Pre-part Power Supply Voltage	PreVcc	18	V
Power-part Power Supply Voltage	PowVcc	18	V
Power Dissipation	Pd	1.18 *1	W
Operating Temperature Range	Topr	-35 to 85	
Storage Temperature Range	Tstg	-55 to 150	

*1 When mounted on PCB (the glass/epoxy board with the size: 70 mm×70 mm, the thickness: 1.6 mm).
 Over Ta=25°C, derating at the rate of 9.44mW/°C.

○ OPERATING CONDITIONS

Parameter	Symbol	MIN	TYP	MAX	Unit
Pre-part Power Supply Voltage	PreVcc	4.3	5	13.5	V
Power-part	PowVcc	4.3	5	PreVcc	V

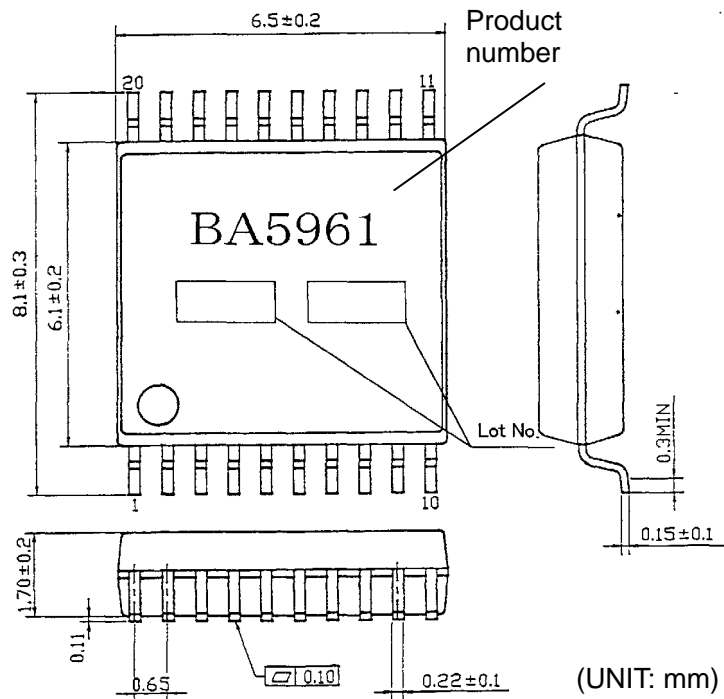
This product has not been checked for the strategic materials (or service) defined in the Foreign Exchange and Foreign Trade Control Law of Japan so that a verification work is required before exporting it.

Not designed for radiation resistance.

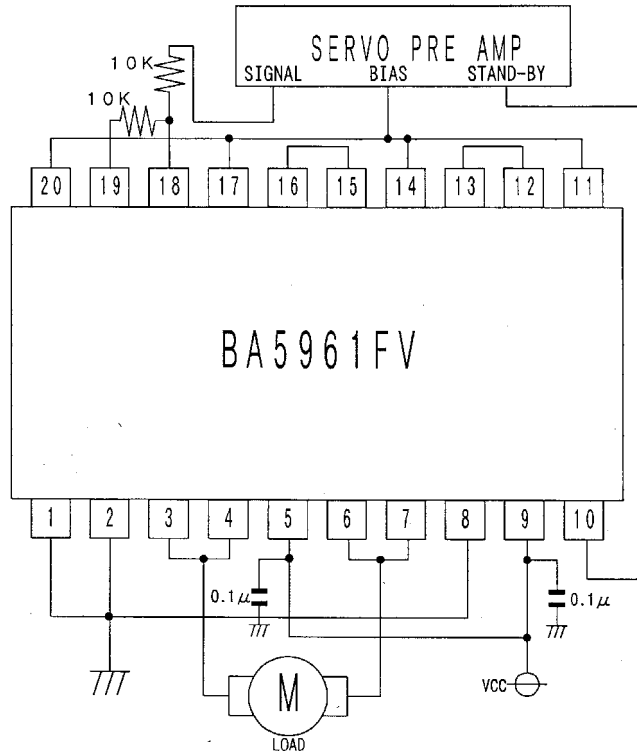
○ ELECTRIC CHARACTERISTICS (Ta=25°C, PreVcc=PowVcc=5V, VBIAS=1.65V, RL=8Ω, unless otherwise noted.)

Parameter	Symbol	MIN	TYP	MAX	Unit	Condition
Quiescent Circuit Current	IQ	-	10.0	14.0	mA	No load applied
<Driver Part>						
Output Offset Voltage	VOOF	-60	-	60	mV	Vin=BIAS=1.65V
Maximum Output Amplitude	VOM	3.0	3.6	-	V	
Maximum Output Amplitude (power supplies separated)	VOMS	3.5	4.2	-	V	PreVcc=12V PowVcc=5V
Closed Circuit Voltage Gain	GVC	16.0	18.0	20.0	dB	Vin=1.35V,1.95V
Standby ON Voltage	VSTON	-	-	0.5	V	
Standby OFF Voltage	VSTOFF	2.0	-	-	V	
<Operational Amplifier>						
Offset Voltage	VOFOP	-6	0	6	mV	
Input Bias Current	IBOP	-	30	300	nA	
Common Mode Input Voltage Range	VICM	0.1	-	3.8	V	
High-level Output Voltage	VOH	4.1	4.8	-	V	Comprised of an invert amp with Vin=GND
Low-level Output Voltage	VOL	-	0.2	0.9	V	Comprised of an invert amp with Vin=VCC
Output Driving Current Sink	ISI	0.5	-	-	mA	
Output Driving Current Source	ISO	0.5	-	-	mA	
Slew Rate	SROP	-	1	-	V/μs	100kHz square wave, 2Vpp output

○ OUTLINE DIMENSIONS, SYMBOLS



○ APPLICATION CIRCUIT DIAGRAM



Resistance unit : [Ω]

○ PIN NUMBERS, PIN NAMES

No.	Pin Name	Description	No.	Pin Name	Description
1	PREGND	Pre part GND	11	OP3+	OP-amp 3 Non-inverted input terminal
2	POWGND1	Power part GND (OUT+ side)	12	OP3-	OP-amp 3 Inverted input terminal
3	OUT+	Driver positive output terminal	13	OP3OUT	OP-amp 3 Output terminal
4	OUT+	Driver positive output terminal	14	OP2+	OP-amp 2 Non-inverted input terminal
5	POWVCC	Power part power supply input terminal	15	OP2-	OP-amp 2 Inverted input terminal
6	OUT-	Driver negative output terminal	16	OP2OUT	OP-amp 2 Output terminal
7	OUT-	Driver negative output terminal	17	OP1+	OP-amp 1 Non-inverted input terminal
8	POWGND2	Power part GND (OUT- side)	18	OP1-	OP-amp 1 Inverted input terminal
9	PREVCC	Pre part power supply input terminal	19	IN	OP-amp 1 Output terminal and driver input terminal
10	STBY	Standby terminal	20	BIAS	Bias terminal

○ CAUTIONS ON USE

- (1) Setting the Standby terminal (pin 10) to 0.5V or less allows the circuit to enter the standby mode. Under conditions of normal use, the pin 10 should be pulled-up to 2.0V or above.
- (2) When PreVcc (pin 9) has dropped to 3.4V (typ.) or less, the output current will be muted and, when PreVcc has recovered to 3.6V (typ.), the driver part circuit will be initiated.
- (3) When the voltage applied on the Bias terminal (pin 20) has dropped to 0.7V (Typ.) or less, the mute function will be activated. Under conditions of normal use, it should be set to 1.0V or above.
- (4) Thermal shutdown (TSD), bias terminal voltage drop or power supply voltage drop will activate the mute function, where only the driver part can be muted.
The output terminals will show the voltage equals to the internal reference voltage (approximately $(PowV_{cc}-V_f)/2$).
- (5) Connecting a capacitive load to the OP-AMP output results in a phase margin reduction of the amp and may cause an oscillation or a peak.
When connecting a capacitive load, a resistance must be inserted in series between the output and the capacitive load. And after careful consideration of the frequency characteristics, the device should be used within the range where no problem is found in actual use.
- (6) Short-circuits between output pin-VCC, output pin-GND, or output terminals (load short) must be avoided. Make sure that the ICs are installed on the board in proper directions.
Mounting the ICs in improper directions may damage them or produce smoke.
- (7) About absolute maximum ratings
Exceeding the absolute maximum ratings, such as the applied voltage or the operating temperature range, may cause permanent device damage. As these cases cannot be limited to the broken short mode or the open mode, if a special mode where the absolute maximum ratings may be exceeded is assumed, it is recommended to take mechanical safety measures such as attaching fuses.
- (8) About power supply lines
As a measure against the back current regenerated by a counter electromotive force of the motor, a capacitor to be used as a regenerated-current path can be installed between the power supply and GND and its capacitance value should be determined after careful check that any problems, for example, a leak capacitance of the electrolytic capacitor at low temperature, are not found in various characteristics.
- (9) About GND potential
The electric potential of the GND terminal must be kept lowest in the circuitry at any operation states.
- (10) About thermal design
With consideration of the power dissipation (Pd) under conditions of actual use, a thermal design provided with an enough margin should be done.
- (11) About operations in a strong electric field
When used in a strong electric field, note that a malfunction may occur.
- (12) ASO
When using this IC, the output Tr must be set not to exceed the values specified in the absolute maximum ratings and ASO.
- (13) Thermal shutdown circuit
This IC incorporates a thermal shutdown circuit (TSD circuit). When the chip temperature reaches the value shown below, the coil output to the motor will be set to open.
The thermal shutdown circuit is designed only to shut off the IC from a thermal runaway and not intended to protect or guarantee the entire IC functions.
Therefore, users cannot assume that the TSD circuit once activated can be used continuously in the subsequent operations.

TSD ON Temperature [°C] (typ.)	Hysteresis Temperature [°C] (typ.)
175	25

- (14) About earth wiring patterns
When a small signal GND and a large current GND are provided, it is recommended that the large current GND pattern and the small signal GND pattern should be separated and grounded at a single point of the reference point of the set in order to prevent the voltage of the small signal GND from being affected by a voltage change caused by the resistance of the pattern wiring and the large current. Make sure that the GND wiring patterns of the external components will not change, too.

- (15) This IC is a monolithic IC which has a P⁺ isolations and P substrate to isolate elements each other. This P layer and an N layer in each element form a PN junction to construct various parasitic elements. Due to the IC structure, the parasitic elements are inevitably created by the potential relationship. Activation of the parasitic elements can cause interference between circuits and may result in a malfunction or, consequently, a fatal damage. Therefore, make sure that the IC must not be used under conditions that may activate the parasitic elements, for example, applying the lower voltage than the ground level (GND, P substrate) to the input terminals.
- In addition, do not apply the voltage to input terminals without applying the power supply voltage to the IC. Also while applying the power supply voltage, the voltage of each input terminal must not be over the power supply voltage, or within the guaranteed values in the electric characteristics.

Notes

- No technical content pages of this document may be reproduced in any form or transmitted by any means without prior permission of ROHM CO.,LTD.
- The contents described herein are subject to change without notice. The specifications for the product described in this document are for reference only. Upon actual use, therefore, please request that specifications to be separately delivered.
- Application circuit diagrams and circuit constants contained herein are shown as examples of standard use and operation. Please pay careful attention to the peripheral conditions when designing circuits and deciding upon circuit constants in the set.
- Any data, including, but not limited to application circuit diagrams information, described herein are intended only as illustrations of such devices and not as the specifications for such devices. ROHM CO.,LTD. disclaims any warranty that any use of such devices shall be free from infringement of any third party's intellectual property rights or other proprietary rights, and further, assumes no liability of whatsoever nature in the event of any such infringement, or arising from or connected with or related to the use of such devices.
- Upon the sale of any such devices, other than for buyer's right to use such devices itself, resell or otherwise dispose of the same, no express or implied right or license to practice or commercially exploit any intellectual property rights or other proprietary rights owned or controlled by
- ROHM CO., LTD. is granted to any such buyer.
- Products listed in this document are no antiradiation design.

The products listed in this document are designed to be used with ordinary electronic equipment or devices (such as audio visual equipment, office-automation equipment, communications devices, electrical appliances and electronic toys).

Should you intend to use these products with equipment or devices which require an extremely high level of reliability and the malfunction of which would directly endanger human life (such as medical instruments, transportation equipment, aerospace machinery, nuclear-reactor controllers, fuel controllers and other safety devices), please be sure to consult with our sales representative in advance.

It is our top priority to supply products with the utmost quality and reliability. However, there is always a chance of failure due to unexpected factors. Therefore, please take into account the derating characteristics and allow for sufficient safety features, such as extra margin, anti-flammability, and fail-safe measures when designing in order to prevent possible accidents that may result in bodily harm or fire caused by component failure. ROHM cannot be held responsible for any damages arising from the use of the products under conditions out of the range of the specifications or due to non-compliance with the NOTES specified in this catalog.

Thank you for your accessing to ROHM product informations.

More detail product informations and catalogs are available, please contact your nearest sales office.

ROHM Customer Support System

THE AMERICAS / EUROPE / ASIA / JAPAN

www.rohm.com

Contact us : webmaster@rohm.co.jp