

# Video signal switcher

## BA7612N / BA7612F

The BA7612N and BA7613F are three-channel analog multiplexers with built-in mute, 6dB amplifier and 75Ω driver. The ICs designed for use in video cassette recorders, and feature a large dynamic range and wide operating frequency range. All inputs are terminated with 20kΩ (Typ.) input impedance.

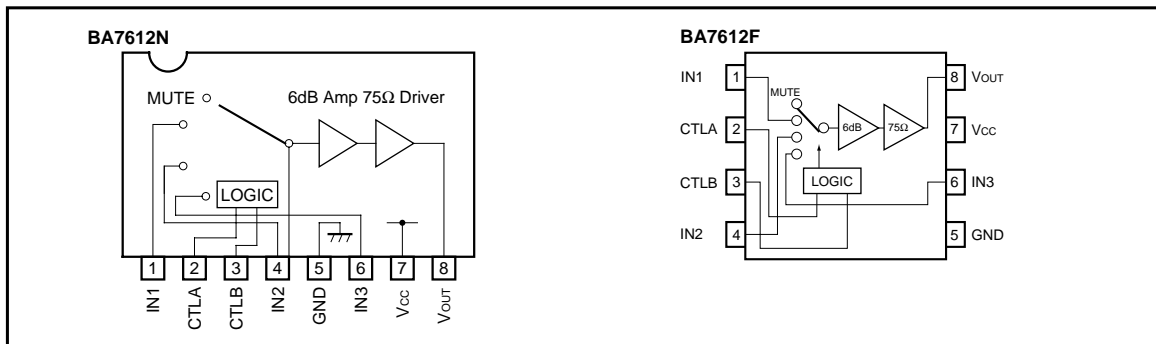
●Applications

Video cassette recorders and televisions

●Features

- 1) 3-input / 1-output switches.
- 2) Built-in 6dB amplifier and 75Ω driver.
- 3) Built-in mute.
- 4) Large input impedance (20kΩ Typ.).
- 5) Wide operating supply voltage range (4.5V ~ 13.0V BA7612N) (4.5V ~ 9.5V BA7613F).
- 6) Low power dissipation (103mW Typ.).
- 7) Excellent frequency characteristics (10MHz, 0dB Typ.).
- 8) Wide dynamic range (3.5V<sub>P-P</sub> Typ.).
- 9) Low interchannel crosstalk (– 65dB Typ., f = 4.43MHz).

●Block diagram



●Truth table

CTL A	CTL B	OUT
L (OPEN)	L (OPEN)	IN1
L (OPEN)	H	IN2
H	L (OPEN)	IN3
H	H	MUTE

● Absolute maximum ratings (Ta = 25°C)

Parameter	Symbol	Limits	Unit
Power supply voltage	V <sub>CC</sub>	*113.5 / *210.0	V
Power dissipation	P <sub>d</sub>	*1900*3 / *2550*4	mW
Operating temperature	T <sub>opr</sub>	- 25 ~ + 75	°C
Storage temperature	T <sub>stg</sub>	- 55 ~ + 125	°C

\*1 BA7612N

\*2 BA7612F

\*3 Reduced by 9mW for each increase in Ta of 1°C over 25°C.

\*4 Reduced by 5.5mW for each increase in Ta of 1°C over 25°C.

● Electrical characteristics (unless otherwise noted, Ta = 25°C and V<sub>CC</sub> = 5V)

Parameter	Symbol	Min.	Typ.	Max.	Unit	Conditions
Operating voltage range	V <sub>CC</sub>	4.5	—	13.0	V	BA7612F is Max.9.5V
Supply current	I <sub>CC</sub>	—	20.5	29.0	mA	
Maximum output level	V <sub>om</sub>	3.0	3.5	—	V <sub>P-P</sub>	f = 1kHz, THD = 0.5%
Voltage gain	G <sub>V</sub>	5.5	6.0	6.5	dB	f = 1MHz, V <sub>IN</sub> = 1.0V <sub>P-P</sub>
Interchannel crosstalk	C <sub>T</sub>	—	- 65	—	dB	f = 4.43MHz, V <sub>IN</sub> = 1.0V <sub>P-P</sub>
Frequency characteristic	C <sub>f</sub>	- 3.0	0	1.0	dB	f = 10MHz / 1MHz, V <sub>IN</sub> = 1.0V <sub>P-P</sub>
Input impedance	Z <sub>IN</sub>	14	20	26	kΩ	
CTL pin switching level A	V <sub>TH-A</sub>	1.0	2.0	3.0	V	
CTL pin switching level B	V <sub>TH-B</sub>	1.0	2.0	3.0	V	

○ Not designed for radiation resistance.

● Measurement circuit

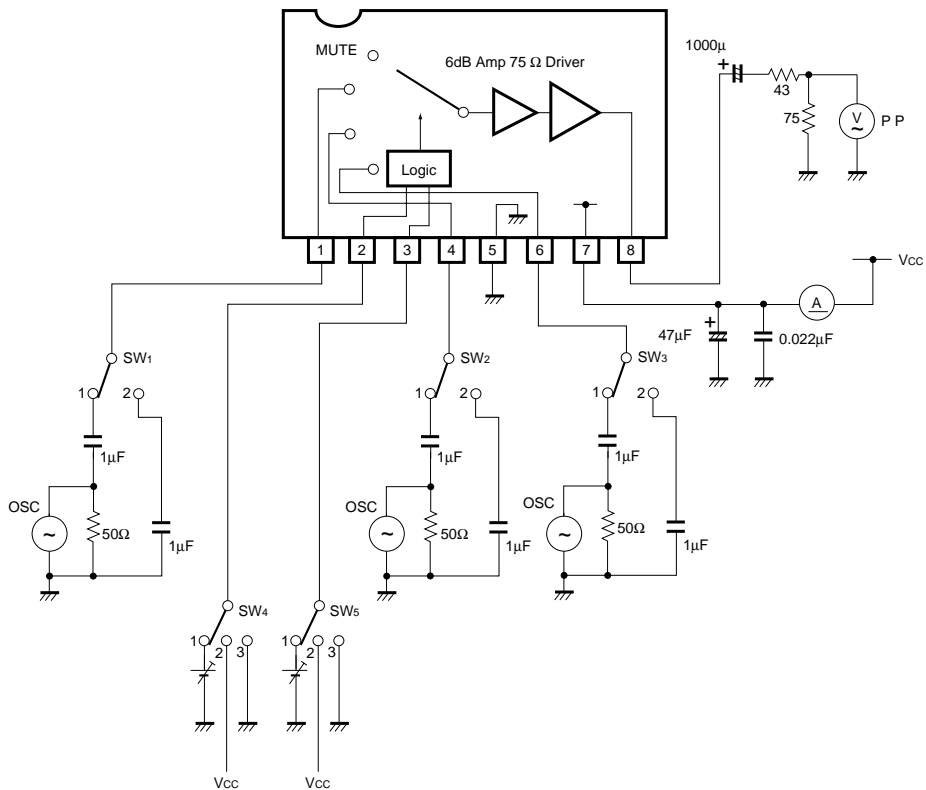


Fig. 1

●Measurement conditions

Parameter		Symbol	Switch settings					Measurement method
			SW <sub>1</sub>	SW <sub>2</sub>	SW <sub>3</sub>	SW <sub>4</sub>	SW <sub>5</sub>	
Current dissipation		I <sub>CC</sub>	2	2	2	2	2	Ammeter
Maximum output level	IN <sub>1</sub>	V <sub>om</sub>	1	2	2	3	3	f = 1kHz THD = 0.5% *1
	IN <sub>2</sub>	V <sub>om</sub>	2	1	2	3	2	
	IN <sub>3</sub>	V <sub>om</sub>	2	2	1	2	3	
Voltage gain	IN <sub>1</sub>	G <sub>V</sub>	1	2	2	3	3	f = 1MHz, V = 1V <sub>P-P</sub> *2
	IN <sub>2</sub>	G <sub>V</sub>	2	1	2	3	2	
	IN <sub>3</sub>	G <sub>V</sub>	2	2	1	2	3	
Interchannel crosstalk	IN <sub>1</sub> →IN <sub>2</sub>	C <sub>T</sub>	1	2	2	3	2	f = 4.43MHz, V = 1V <sub>P-P</sub> *3
	IN <sub>1</sub> →IN <sub>3</sub>	C <sub>T</sub>	1	2	2	2	3	
	IN <sub>1</sub> →MUTE	C <sub>T</sub>	1	2	2	2	2	
	IN <sub>2</sub> →IN <sub>3</sub>	C <sub>T</sub>	2	1	2	2	3	
	IN <sub>2</sub> →MUTE	C <sub>T</sub>	2	1	2	2	2	
	IN <sub>3</sub> →MUTE	C <sub>T</sub>	2	2	1	2	2	
Frequency characteristic	IN <sub>1</sub>	G <sub>f</sub>	1	2	2	3	3	f = 10MHz / f = 1MHz, V = 1V <sub>P-P</sub> *4
	IN <sub>2</sub>	G <sub>f</sub>	2	1	2	3	2	
	IN <sub>3</sub>	G <sub>f</sub>	2	2	1	2	3	
CTL pin switching level	CTLa	V <sub>TH</sub>	2	2	1	1	3	*5
	CTLb	V <sub>TH</sub>	2	1	2	3	1	

\*1: Connect a distortion meter to the output, and input a f = 1kHz sine wave. Adjust the input level until the output distortion is 0.5%.

This output voltage at this time multiplied by 2 is the maximum output level V<sub>om</sub> (V<sub>P-P</sub>).

\*2: Input a 1V<sub>P-P</sub>, 1MHz sine wave. The voltage gain is given by G<sub>V</sub> = 20 log (V<sub>OUT</sub> / V<sub>IN</sub>) + 6.

\*3: Input a 1V<sub>P-P</sub>, 4.43MHz sine wave. The interchannel crosstalk is given by C<sub>T</sub> = 20 log (V<sub>OUT</sub> / V<sub>IN</sub>).

\*4: Input 1V<sub>P-P</sub>, 1MHz and 10MHz sine waves.

The frequency characteristic is given by G<sub>f</sub> = 20 log (V<sub>OUT</sub> (f = 10MHz) / V<sub>OUT</sub> (f = 1MHz)).

\*5: Input a 1V<sub>P-P</sub>, 1MHz sine wave. Reduce the CTL pin voltage from V<sub>CC</sub>.

The CTL pin switching level (V<sub>TH</sub>) is the CTL pin voltage at which the V<sub>OUT</sub> level drops below 20mV<sub>P-P</sub>.

●Electrical characteristic curves

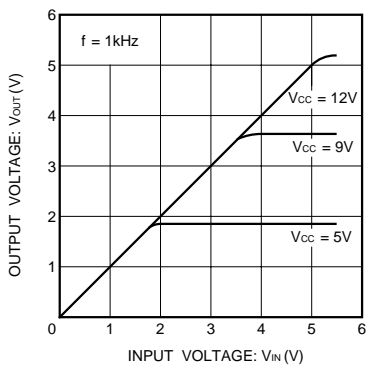


Fig. 2 V<sub>IN</sub> vs. V<sub>OUT</sub> characteristics (f = 1kHz)

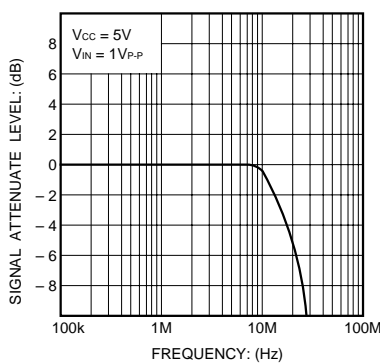


Fig. 3 Frequency characteristics

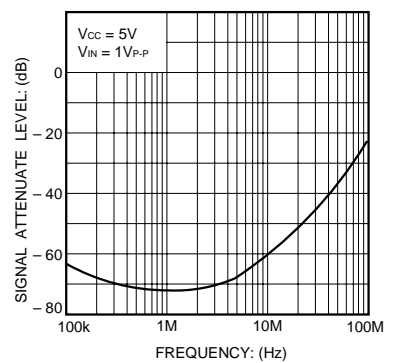


Fig. 4 Interchannel crosstalk

## ● Operation notes

The output impedance is approximately  $32\Omega$ . Therefore, to ensure output matching, connect an external resistor of  $43\Omega$ .

## ● External dimensions (Units: mm)

