

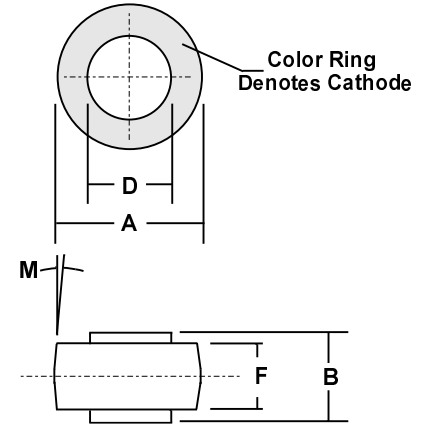
35 AMP BUTTON DIODES

FEATURES

- PROPRIETARY *SOFT GLASS*[®] JUNCTION PASSIVATION FOR SUPERIOR RELIABILITY AND PERFORMANCE
- VOID FREE VACUUM DIE SOLDERING FOR MAXIMUM MECHANICAL STRENGTH AND HEAT DISSIPATION (Solder Voids: Typical < 2%, Max. < 10% of Die Area)
- Compact molded design
- High surge current, 600 A @ T_J = 175 °C
- Low cost
- Peak performance at elevated temperatures: 35 A @ T_J = 175 °C

MECHANICAL SPECIFICATION

*Die Size:
0.165" x 0.165"
Square*



MECHANICAL DATA

- Case: Molded Epoxy (UL Flammability Rating 94V-0)
- Finish: All external surfaces are silver plated for corrosion resistance and superior solderability
- Soldering Temperature: 250 °C maximum
- Mounting Position: Any
- Polarity: Color band denotes cathode
- Weight: 0.6 Ounces (1.8 Grams)

RoHS COMPLIANT

DIM	MILLIMETERS		INCHES	
	MIN	MAX	MIN	MAX
A	9.78	10.29	0.385	0.405
B	5.97	6.35	0.235	0.250
D	5.46	5.71	0.215	0.225
F	4.19	4.45	0.165	0.175
M	5° NOM		5° NOM	

MAXIMUM RATINGS & ELECTRICAL CHARACTERISTICS

Ratings at 25 °C ambient temperature unless otherwise specified.

PARAMETER (TEST CONDITIONS)	SYMBOL	RATINGS								UNITS
		BAR 3500	BAR 3501	BAR 3502	BAR 3504	BAR 3506	BAR 3508	BAR 3510		
Series Number										
Maximum DC Blocking Voltage	V _{RRM}									VOLTS
Maximum RMS Voltage	V _{RWM}	50	100	200	400	600	800	1000		
Maximum Peak Recurrent Reverse Voltage	V _{DC}									
Non-repetitive Peak Reverse Voltage (Half wave, single phase, 60 Hz peak)	V _{RSM}	60	120	240	480	720	960	1200		
Average Forward Rectified Current @ T _c = 150 °C	I _O	35								AMPS
Peak Forward Surge Current (8.3mS single half sine wave superimposed on rated load)	I _{FSM}	500								
Maximum Forward Voltage Drop at 35 Amp DC	V _{FM}	1.1 (Typical 1.05)					1.15			VOLTS
Maximum Average DC Reverse Current @ T _A = 25 °C	I _{RM}	1								μA
At Rated DC Blocking Voltage @ T _A = 100 °C		50								
Maximum Thermal Resistance, Junction to Case (Note 1)	R _{θJC}	0.9								°C/W
Junction Operating and Storage Temperature Range	T _J , T _{STG}	-65 to +175								°C

Notes: 1) Single Side Cooled