

BAS21

DIODE

GENERAL PURPOSE DIODES

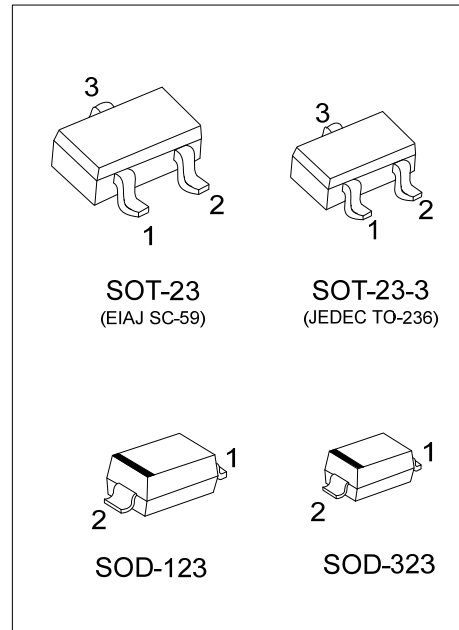
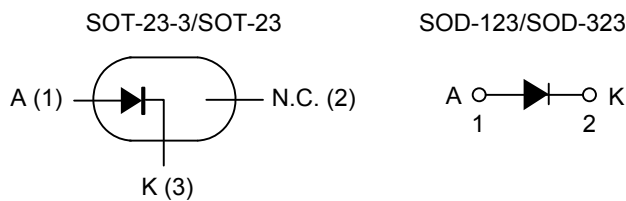
DESCRIPTION

The UTC **BAS21** is a general purpose diode using UTC's planar technology to provide customers with high current capacity and high switching speed.

FEATURES

- * High Current Capability
- * High Switching Speed

SYMBOL



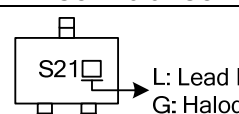
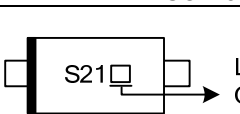
ORDERING INFORMATION

Ordering Number		Package	Pin Assignment			Packing
Lead Free	Halogen Free		1	2	3	
BAS21L-AE2-R	BAS21G-AE2-R	SOT-23-3	A	NC	K	Tape Reel
BAS21L-AE3-R	BAS21G-AE3-R	SOT-23	A	NC	K	Tape Reel
BAS21L-CA2-R	BAS21G-CA2-R	SOD-123	A	K	NC	Tape Reel
BAS21L-CB2-R	BAS21G-CB2-R	SOD-323	A	K	NC	Tape Reel

Note: Pin Assignment: A: Anode K: Cathode NC: No Connection

<p>BAS21G-AE2-R</p> <p>(1) Packing Type</p> <p>(2) Package Type</p> <p>(3) Green Package</p>	<p>(1) R: Tape Reel</p> <p>(2) AE2: SOT-23-3, AE3: SOT-23, CA2: SOD-123 CB2: SOD-323</p> <p>(3) G: Halogen Free and Lead Free, L: Lead Free</p>
--	---

MARKING

SOT-23-3 / SOT-23	SOD-323
 <p>L: Lead Free G: Halogen Free</p>	 <p>L: Lead Free G: Halogen Free</p>

■ ABSOLUTE MAXIMUM RATINGS

PARAMETER		SYMBOL	RATINGS	UNIT
Repetitive Peak Reverse Voltage		V_{RRM}	250	V
Continuous Reverse Voltage		V_R	200	V
Continuous Forward Current (Note 1)		I_F	200	mA
Repetitive Peak Forward Current		I_{FRM}	625	mA
Non-Repetitive Peak Forward Current (Square Wave, $T_J=25^\circ\text{C}$ Prior to Surge)	$t=1\mu\text{s}$	I_{FSM}	9	A
	$t=100\mu\text{s}$		3	A
	$t=10\text{ms}$		1.7	A
Power Dissipation ($T_A=25^\circ\text{C}$) (Note 1)	SOT-23	P_D	250	mW
	SOT-23-3			
	SOD-123		410	mW
	SOD-323			
Junction Temperature		T_J	+150	$^\circ\text{C}$
Storage Temperature		T_{STG}	-65 ~ +150	$^\circ\text{C}$

Note: Absolute maximum ratings are those values beyond which the device could be permanently damaged. Absolute maximum ratings are stress ratings only and functional device operation is not implied.

■ THERMAL CHARACTERISTICS

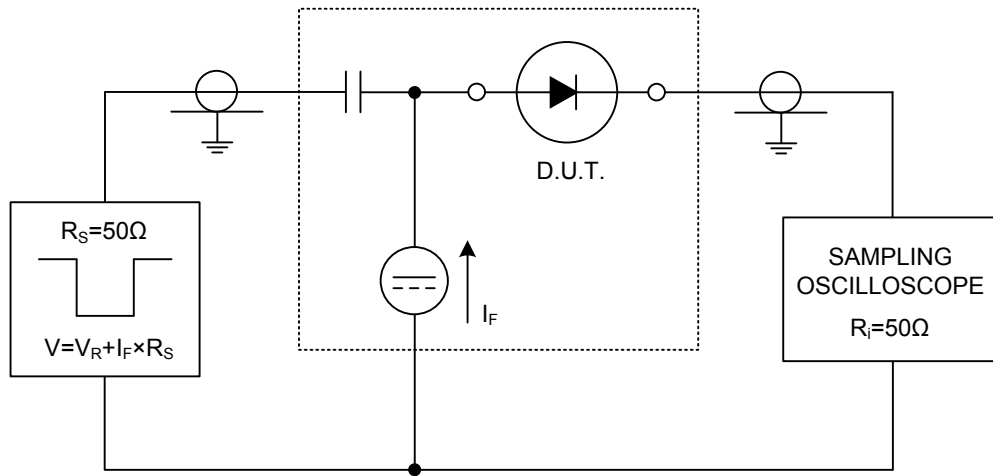
PARAMETER		SYMBOL	RATINGS	UNIT
Junction to Ambient (Note 1)	SOT-23	θ_{JA}	330	K/W
	SOT-23-3			
	SOD-123		200	K/W
	SOD-323			

Note: 1. Device mounted on an FR4 printed-circuit board.

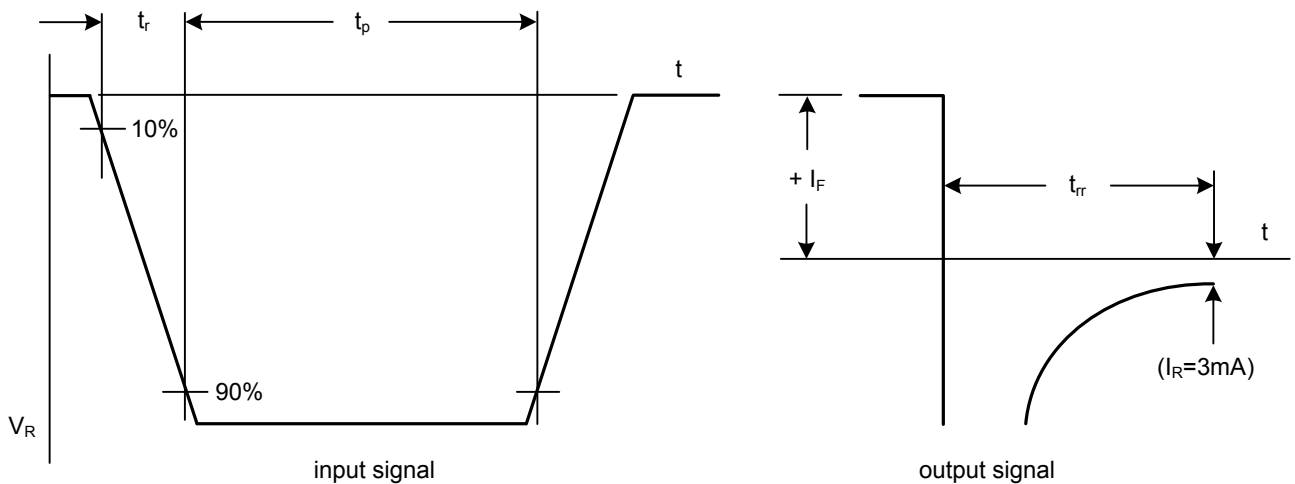
■ ELECTRICAL CHARACTERISTICS ($T_J=25^\circ\text{C}$, unless otherwise specified.)

PARAMETER	SYMBOL	TEST CONDITIONS	MIN	TYP	MAX	UNIT
Forward Voltage	V_F	$I_F=100\text{mA}$			1	V
		$I_F=200\text{mA}$			1.25	V
Reverse Current	I_R	$V_R=200\text{V}$			100	nA
		$V_R=200\text{V}, T_J=150^\circ\text{C}$			100	μA
Diode Capacitance	C_D	$f=1\text{MHz}, V_R=0$			5	pF
Reverse Recovery Time	t_{RR}	when switched from $I_F=30\text{mA}$ to $I_R=30\text{mA}$, $R_L=100\Omega$, measured at $I_R=3\text{mA}$			50	ns

■ TEST CIRCUITS AND WAVEFORMS



Reverse recovery voltage test circuit



Reverse recovery voltage waveforms

UTC assumes no responsibility for equipment failures that result from using products at values that exceed, even momentarily, rated values (such as maximum ratings, operating condition ranges, or other parameters) listed in products specifications of any and all UTC products described or contained herein. UTC products are not designed for use in life support appliances, devices or systems where malfunction of these products can be reasonably expected to result in personal injury. Reproduction in whole or in part is prohibited without the prior written consent of the copyright owner. UTC reserves the right to make changes to information published in this document, including without limitation specifications and product descriptions, at any time and without notice. This document supersedes and replaces all information supplied prior to the publication hereof.