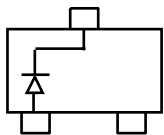
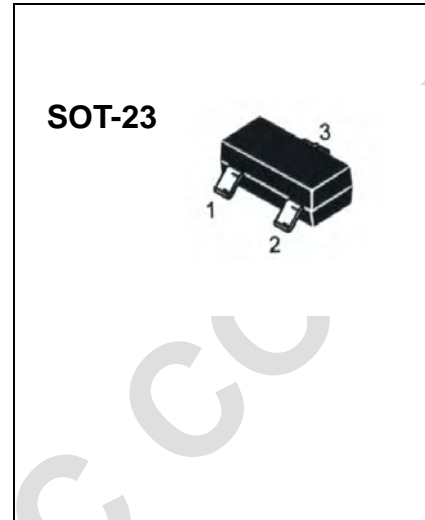


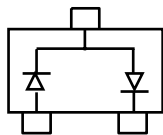
BAS70/-04/-05/-06 SCHOTTKY DIODE

FEATURES

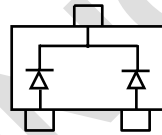
- Low Turn-on voltage
- Fast switching
- Ultra-small surface mount package
- Also available in lead free version



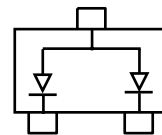
BAS70 Marking: 73



BAS70-04 Marking: 74



BAS70-05 Marking: 75



BAS70-06 Marking: 76

MAXIMUM RATINGS* $T_A=25^{\circ}\text{C}$ unless otherwise noted

Symbol	Parameter	Value	Units
V_R	DC Voltage	70	V
I_F	Forward Continuous Current	70	mA
P_d	Power dissipation	200	mW
T_J, T_{stg}	Junction and Storage Temperature	-55-150	$^{\circ}\text{C}$

ELECTRICAL CHARACTERISTICS ($T_{amb}=25^{\circ}\text{C}$ unless otherwise specified)

Parameter	Symbol	Test conditions	MIN	MAX	UNIT
Reverse breakdown voltage	$V_{(BR)R}$	$I_R=10\mu\text{A}$	70		V
Reverse voltage leakage current	I_R	$V_R=50\text{V}$		100	nA
Forward voltage	V_F	$I_F=1\text{mA}$ $I_F=15\text{mA}$		410 1000	mV
Diode capacitance	C_D	$V_R=0\text{V}$ $f=1\text{MHz}$		2	pF
Reverse recovery time	t_{rr}	$I_F=I_R=10\text{mA}, I_{rr}=0.1 \times I_R,$ $R_L=100\Omega$		5	nS

Typical Characteristics

