



## BAS70x

DIODE

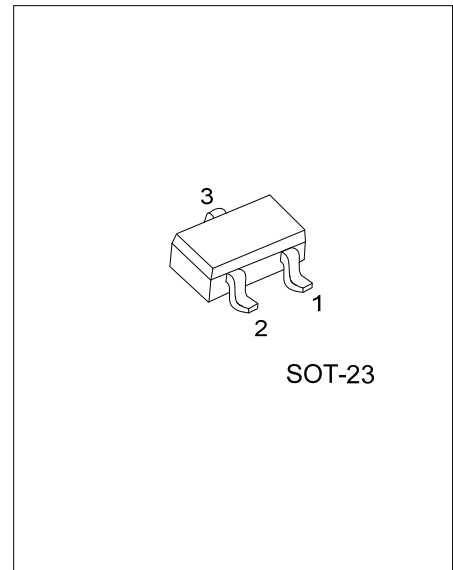
### SCHOTTKY BARRIER DIODES

#### DESCRIPTION

Planar Schottky barrier diodes encapsulated in the SOT-23 small plastic SMD package. Single diodes and dual diodes with different pin configuration are available.

#### FEATURES

- \* Low Turn-on voltage
- \* Fast switching
- \* Ultra-small surface mount package
- \* Also available in lead free version



#### ORDERING INFORMATION

Ordering Number		Package	Pin Assignment			Packing
Lead Free	Halogen Free		1	2	3	
BAS70L-AE3-R	BAS70G-AE3-R	SOT-23	x	A	K	Tape Reel
BAS70AL-AE3-R	BAS70AG-AE3-R	SOT-23	K1	K2	A2A1	Tape Reel
BAS70CL-AE3-R	BAS70CG-AE3-R	SOT-23	A1	A2	K2K1	Tape Reel
BAS70SL-AE3-R	BAS70SG-AE3-R	SOT-23	K1	A2	K2A1	Tape Reel

Note: Pin Assignment: A: Anode K: Cathode x:NC

<p>BAS70L-AE3-R</p> <p>(1) Packing Type (2) Package Type (3) Lead Free</p>	<p>(1) R: Tape Reel (2) AE3: SOT-23 (3) G: Halogen Free, L: Lead Free</p>
--	---

## ■ DIODE CONFIGURATION AND SYMBOL

BAS70	BAS70A	BAS70C	BAS70S

## ■ MARKING

BAS70	BAS70A	BAS70C	BAS70S

■ ABSOLUTE MAXIMUM RATINGS ( $T_A=25^{\circ}\text{C}$ , unless otherwise specified)

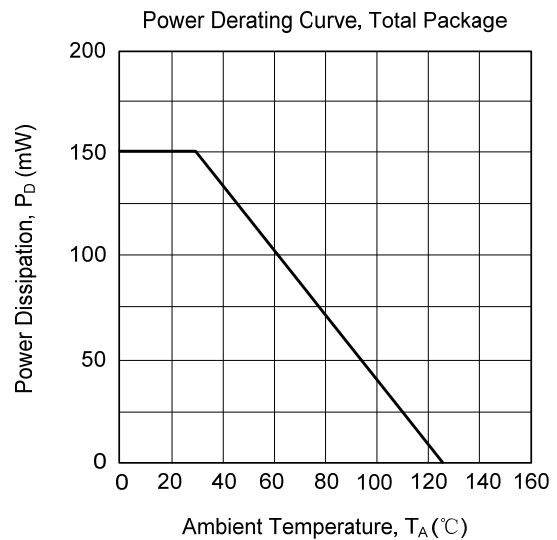
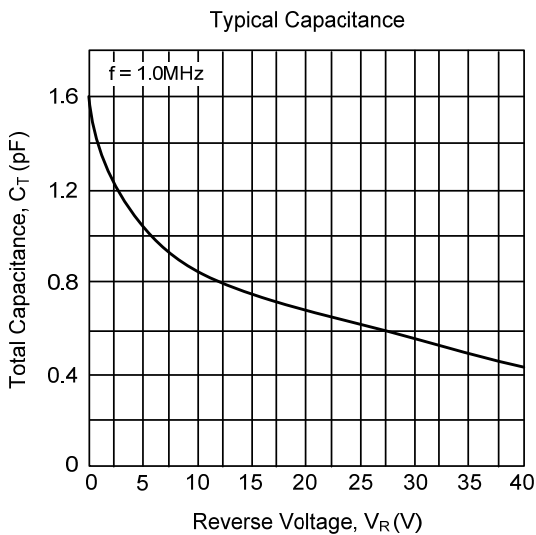
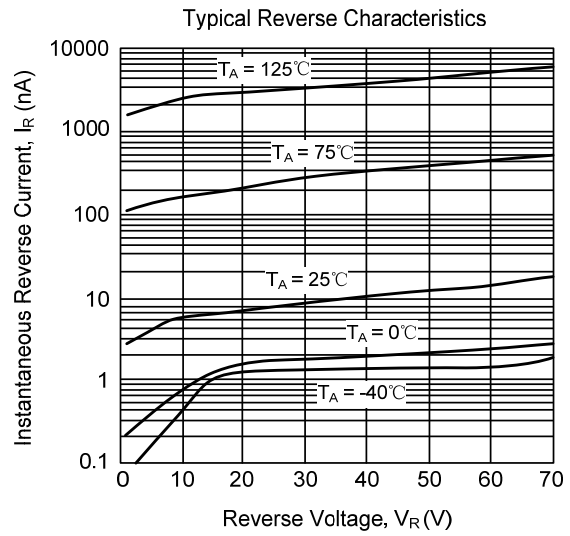
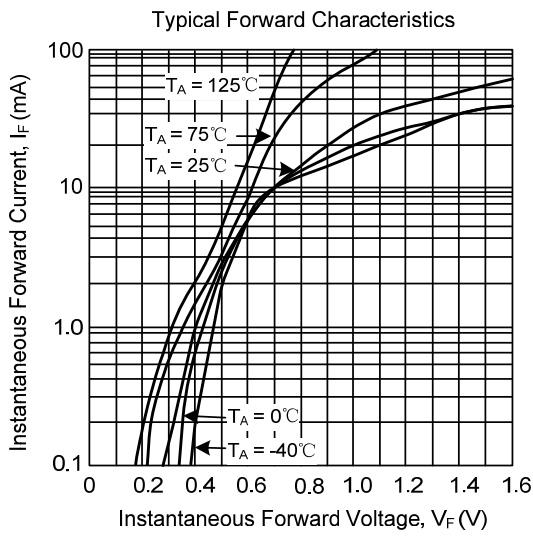
PARAMETER	SYMBOL	RATINGS	UNITS
DC Voltage	$V_R$	70	V
Forward Continuous Current	$I_F$	70	mA
Power Dissipation	$P_D$	200	mW
Junction Temperature	$T_J$	-55 ~ +150	$^{\circ}\text{C}$
Storage Temperature	$T_{STG}$	-55 ~ +150	$^{\circ}\text{C}$

Note Absolute maximum ratings are those values beyond which the device could be permanently damaged. Absolute maximum ratings are stress ratings only and functional device operation is not implied.

■ ELECTRICAL CHARACTERISTICS ( $T_A=25^{\circ}\text{C}$ , unless otherwise specified)

PARAMETER	SYMBOL	TEST CONDITIONS	MIN	TYP	MAX	UNIT
Reverse Breakdown Voltage	$BV_R$	$I_R=10\mu\text{A}$	70			V
Reverse Voltage Leakage Current	$I_R$	$V_R=50\text{V}$			100	nA
Forward Voltage	$V_F$	$I_F=1\text{mA}$			410	mV
		$I_F=15\text{mA}$			1000	mV
Diode Capacitance	$C_D$	$V_R=0\text{V}$ , $f=1\text{MHz}$			2	pF
Reverse Recovery Time	$t_{RR}$	$I_F=I_R=10\text{mA}$ , $I_{RR}=0.1I_R$ , $R_L=100\Omega$			5	nS

■ TYPICAL CHARACTERISTICS



UTC assumes no responsibility for equipment failures that result from using products at values that exceed, even momentarily, rated values (such as maximum ratings, operating condition ranges, or other parameters) listed in products specifications of any and all UTC products described or contained herein. UTC products are not designed for use in life support appliances, devices or systems where malfunction of these products can be reasonably expected to result in personal injury. Reproduction in whole or in part is prohibited without the prior written consent of the copyright owner. The information presented in this document does not form part of any quotation or contract, is believed to be accurate and reliable and may be changed without notice.