

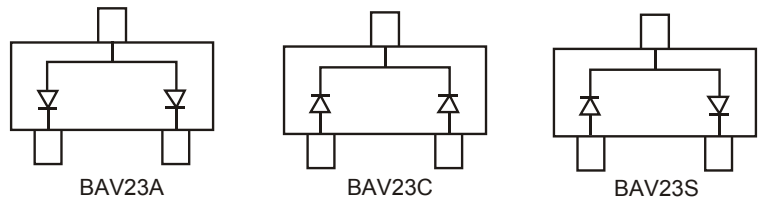
### Features

- Fast Switching Speed
- For General Purpose Switching Applications.
- High Conductance

### Dimensions SOT-23



### Pin Configuration



#### ■ Absolute Maximum Ratings Ta = 25°C

Parameter	Symbol	Rating	Unit	
Reverse Voltage	VRRM	250	V	
Working Peak Reverse Voltage	VRWM	200		
DC Blocking Voltage	VR	200		
RMS Reverse Voltage	VR(RMS)	141		
Forward Continuous Current	IFM	400	mA	
Non-Repetitive Peak Forward Surge Current	IFSM	t=1us	9	A
		t=100us	3	
		t=10ms	1.7	
Repetitive Peak Forward Surge Current	IFRM	625	mA	
Power Dissipation	Pd	350	mW	
Thermal Resistance Junction to Ambient	RθJA	357	°C/W	
Junction Temperature	TJ	150	°C	
Storage Temperature range	Tstg	-65 to 150		

■ Electrical Characteristics  $T_a = 25^\circ\text{C}$

Parameter	Symbol	Test Conditions	Min	Typ	Max	Unit
Reverse breakdown voltage	$V_R$	$I_R = 100 \mu\text{A}$	250			V
Forward voltage	$V_F$	$I_F = 100 \text{ mA}$			1	
		$I_F = 200 \text{ mA}$			1.25	
Reverse voltage leakage current	$I_R$	$V_R = 200 \text{ V}, T_J = 25^\circ\text{C}$			100	nA
		$V_R = 200 \text{ V}, T_J = 150^\circ\text{C}$			100	$\mu\text{A}$
Junction capacitance	$C_j$	$V_R = 0 \text{ V}, f = 1 \text{ MHz}$			5	pF
Reverse recovery time	$t_{rr}$	$I_F = I_R = 30 \text{ mA}, I_{rr} = 0.1 \times I_R, R_L = 100 \Omega$			50	ns

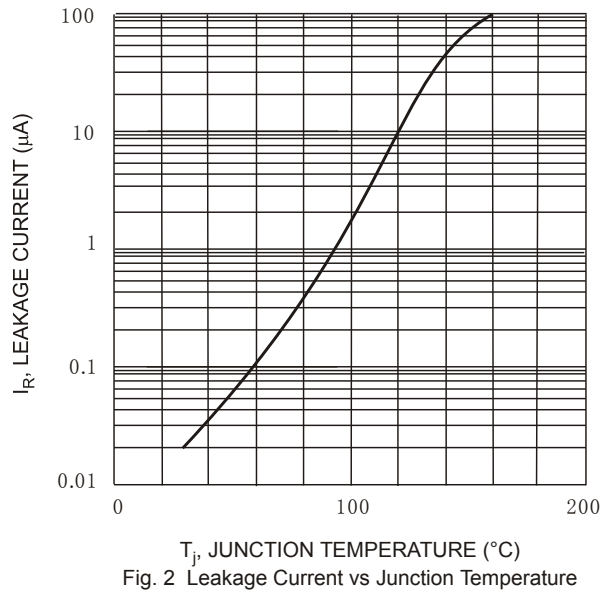
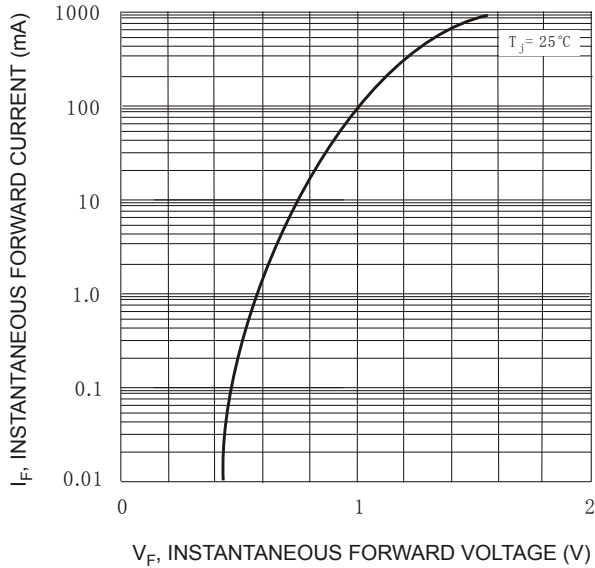
■ Marking

NO.	BAV23A	BAV23C	BAV23S
Marking	KT7	JU	KL31

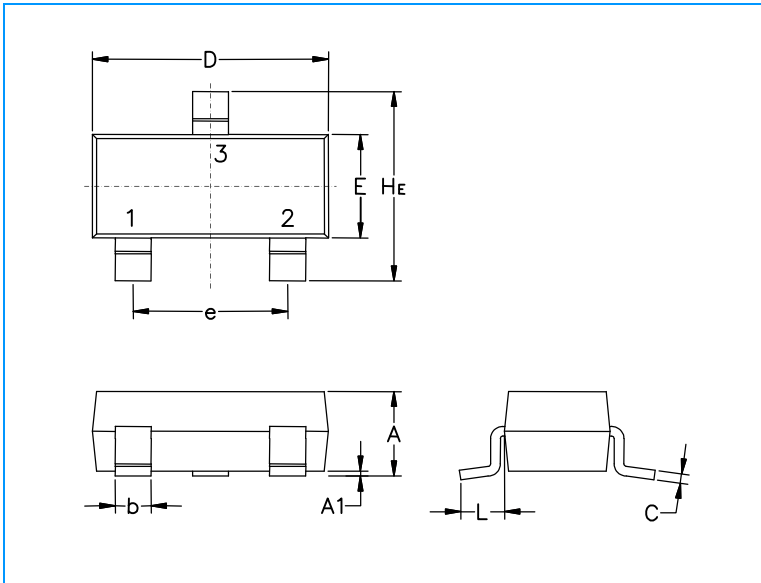
## Switching Diodes

### BAV23A/C/S (KAV23A/C/S)

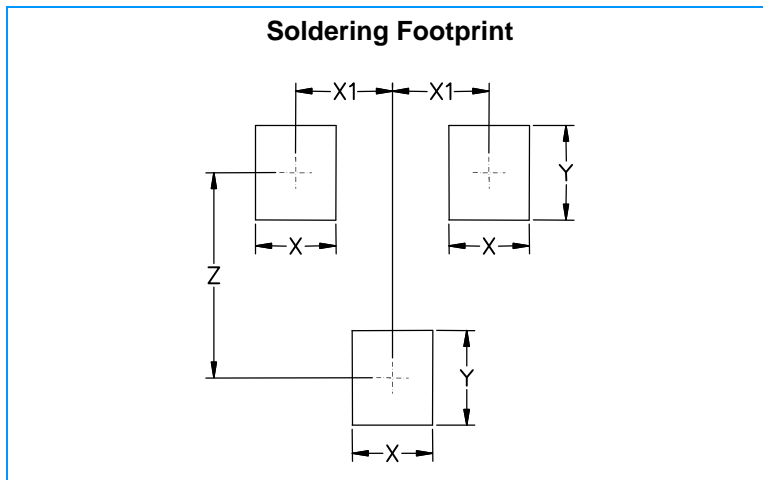
■ Typical Characteristics



## SOT-23 Package Outline & Dimensions



Symbol	Millimeters			Inches		
	Min.	Nom.	Max.	Min.	Nom.	Max.
A	0.89	1.00	1.11	0.035	0.040	0.044
A1	0.01	0.06	0.10	0.001	0.002	0.004
b	0.37	0.44	0.50	0.15	0.18	0.020
c	0.09	0.13	0.18	0.003	0.005	0.007
D	2.80	2.90	3.04	0.110	0.114	0.120
E	1.20	1.30	1.40	0.047	0.051	0.055
e	1.78	1.90	2.04	0.070	0.075	0.081
L	0.35	0.54	0.69	0.014	0.021	0.029
HE	2.10	2.40	2.64	0.083	0.094	0.104



Symbol	Millimeters	Inches
X	0.80	0.031
X1	0.95	0.037
Y	0.90	0.035
Z	2.00	0.079