

## Small Signal Product

**NPN Transistor**
**FEATURES**

- For switching and AF amplifier applications
- These types are subdivided into three groups A, B and C according to their current gain
- Moisture sensitivity level 1
- Driver transistor
- Pb free and RoHS compliant
- Green compound (Halogen free) with suffix "G" on packing code and prefix "G" on date code


 1. Collector 2. Base 3. Emitter  
TO-92 Plastic Package

**MECHANICAL DATA**

- Case: TO-92 small outline plastic package
- Terminal: Matte tin plated, lead free, solderable per MIL-STD-202, Method 208 guaranteed
- High temperature soldering guaranteed: 260°C/10s
- Weight: 190 mg (approximately)

**TO-92**

MAXIMUM RATINGS AND ELECTRICAL CHARACTERISTICS (T <sub>A</sub> =25°C unless otherwise noted)			
PARAMETER	SYMBOL	VALUE	UNIT
Total Power dissipation	P <sub>TOT</sub>	500	mW
Collector-Base Voltage	V <sub>CBO</sub>	BC546	80
		BC547, BC550	50
		BC548, BC549	30
Collector-Emitter Voltage	V <sub>CEO</sub>	BC546	65
		BC547, BC550	45
		BC548, BC549	30
Emitter-Base Voltage	V <sub>EBO</sub>	BC546	6
		BC547, BC550	6
		BC548, BC549	6
Collector Current	I <sub>C</sub>	100	mA
Peak Collector Current	I <sub>CM</sub>	200	mA
Junction and Storage Temperature Range	T <sub>J</sub> , T <sub>STG</sub>	-65 to + 150	°C

PARAMETER	SYMBOL	MIN	MAX	UNIT
Collector-Base Breakdown Voltage	V <sub>(BR)CBO</sub>	BC546	80	-
		BC547, BC550	50	
		BC548, BC549	30	
Collector-Emitter Breakdown Voltage	V <sub>(BR)CEO</sub>	BC546	65	-
		BC547, BC550	45	
		BC548, BC549	30	
Emitter-Base Breakdown Voltage	V <sub>(BR)EBO</sub>	BC546	6	-
		BC547, BC550	6	
		BC548, BC549	6	
Collector Base Cutoff Current	I <sub>CBO</sub>	-	15	nA
Emitter Base Cutoff Current	I <sub>EBO</sub>	-	100	nA
DC Current Gain	h <sub>FE</sub>	Current Gain Group: A B C V <sub>CE</sub> = 5V, I <sub>C</sub> = 2mA	110	220
			200	450
			420	800

Small Signal Product

RATINGS AND CHARACTERISTICS CURVES

(TA=25°C unless otherwise noted)

FIG.1 Static Characteristic

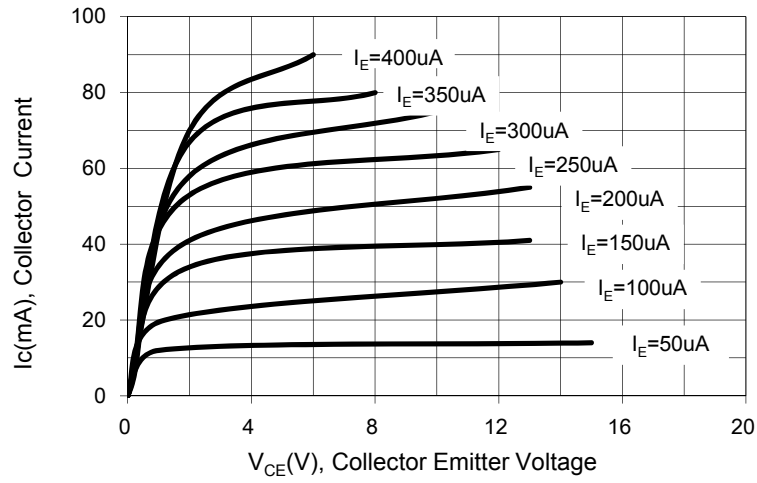


FIG. 2 Transfer Characteristic

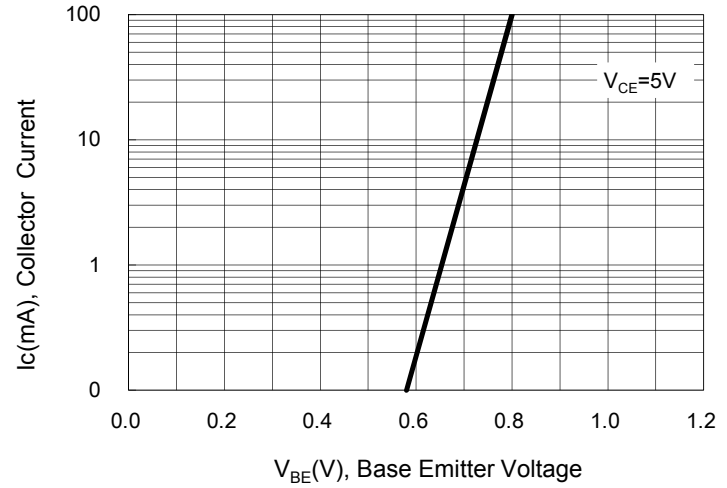


FIG. 3 DC Current Gain

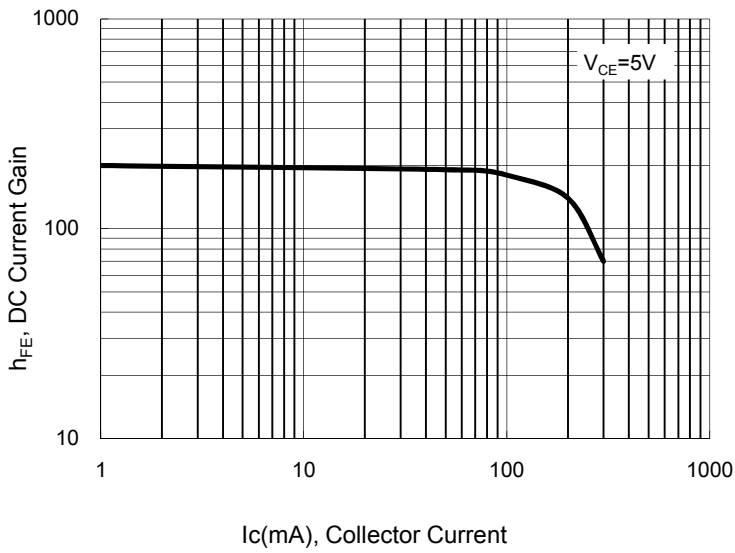
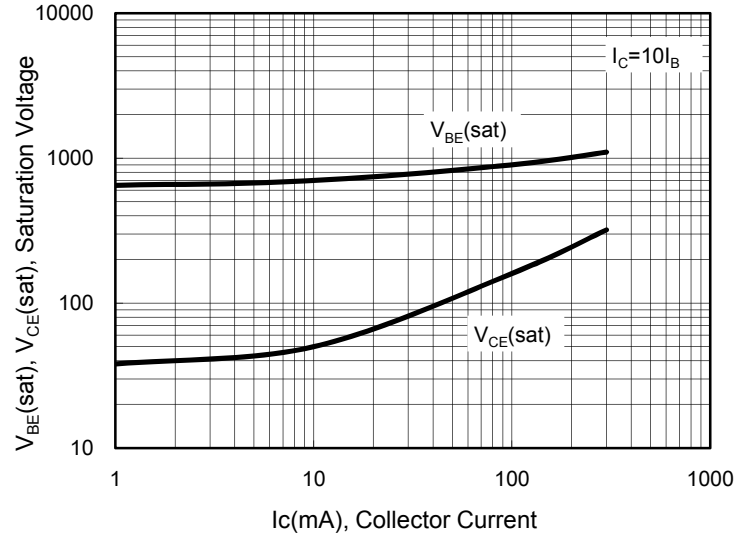


FIG. 4 Base Emitter Saturation Voltage  
Collector Emitter Saturation Voltage



**Small Signal Product**

ORDERING INFORMATION						
PART NO.	MANUFACTURE CODE (Note1)	PACKING CODE	GREEN COMPOUND CODE	PACKAGE	PACKING	MARKING
BC5xxA/B/C (Note2)		A1	G	TO-92	4K / Ammo	BC5xxA/B/C (Note2)
BC5xxA/B/C (Note2)		B1	G	TO-92	5K / Bulk	BC5xxA/B/C (Note2)

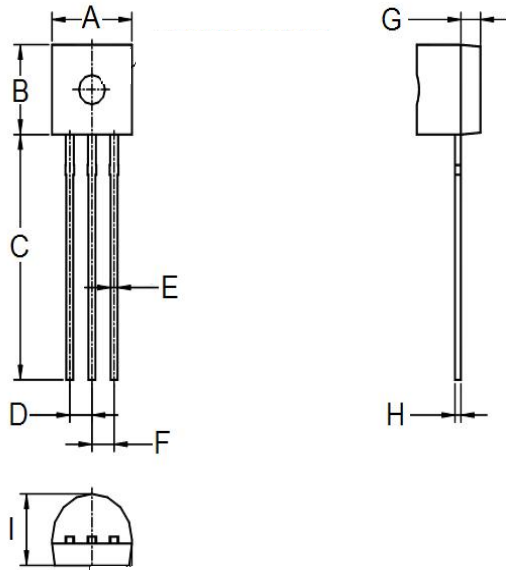
Note1: Manufacture special control, if empty means no special control requirement.

Note2: "xx" is Device Code from "46" thru "50", and "MARKING" should follow the "PART NO."

EXAMPLE					
PREFERRED P/N	PART NO.	MANUFACTURE CODE	PACKING CODE	GREEN COMPOUND CODE	DESCRIPTION
BC546A A1G	BC546A		A1	G	Green compound

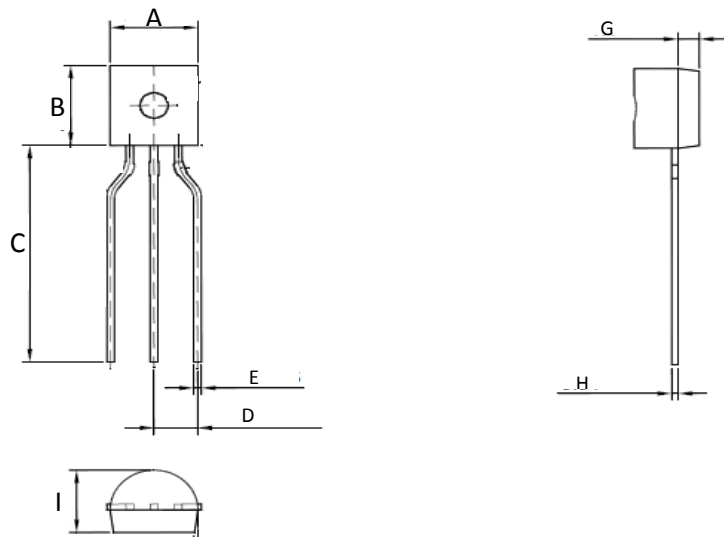
Small Signal Product

DIMENSIONS  
TO-92 Bulk



DIM.	Unit (mm)		Unit (inch)	
	Min	Max	Min	Max
A	4.40	5.10	0.173	0.201
B	4.30	4.70	0.169	0.185
C	12.50	14.50	0.492	-
D	1.17	1.37	0.046	0.054
E	0.35	0.55	0.014	0.022
F	1.17	1.37	0.046	0.054
G	0.59	1.40	0.023	0.055
H	0.29	0.51	0.011	0.020
I	3.300	4.100	0.130	0.161

TO-92 Ammo



DIM.	Unit (mm)		Unit (inch)	
	Min	Max	Min	Max
A	4.30	4.70	0.169	0.185
B	4.30	4.70	0.169	0.185
C	12.50	-	0.492	-
D	2.20	2.80	0.087	0.110
E	0.35	0.55	0.014	0.022
G	1.00	1.20	0.039	0.047
H	0.29	0.51	0.011	0.020
I	3.30	3.70	0.130	0.146

### Notice

Specifications of the products displayed herein are subject to change without notice. TSC or anyone on its behalf, assumes no responsibility or liability for any errors or inaccuracies.

Information contained herein is intended to provide a product description only. No license, express or implied, to any intellectual property rights is granted by this document. Except as provided in TSC's terms and conditions of sale for such products, TSC assumes no liability whatsoever, and disclaims any express or implied warranty, relating to sale and/or use of TSC products including liability or warranties relating to fitness for a particular purpose, merchantability, or infringement of any patent, copyright, or other intellectual property right.

The products shown herein are not designed for use in medical, life-saving, or life-sustaining applications. Customers using or selling these products for use in such applications do so at their own risk and agree to fully indemnify TSC for any damages resulting from such improper use or sale.