



SINGLE-PORT, FEATURE REDUCED VOICE OVER IP ETHERNET CPE ENGINE

FEATURES

- The BCM115R is a highly integrated silicon solution specifically targeted at cost-sensitive residential and Small Office Home Office (SOHO) 1-Ethernet port Voice over IP Phone and Gateway applications.
- The BCM115R integrates:
 - 87.5-MHz (96 DMIPS) MIPS32 CPU (110 DMIPS) with 8 KB of I-cache and 4 KB of D-cache
 - Superscalar 87 MHz ZSP DSP with dual-MAC (174 MIPS), 48 KB of instruction RAM and 32 KB of data RAM
 - One 10/100BASE-T Ethernet PHY with in-line power over Ethernet support
 - Two wideband audio DACs and ADCs
 - 9x9 keyscan controller
 - Ethernet status LED driver
 - TDM IOM-2® port
 - Two UARTs
 - Two high-speed serial ports
 - General purpose I/O
 - Interrupt control unit
 - DMA support unit
 - SDRAM interface
 - External Bus Interface
 - EEE 1149.1 (JTAG)
- 0.18µ process technology, 1.8/3.3 V
- 0.95W peak, 0.3-0.8W standby modes
- 256-pin PBGA package enables 4-layer PCB designs
- Pin and Software compatible with BCM1101, BCM1112, BCM1113, BCM1113R, and BCM1115 ICs

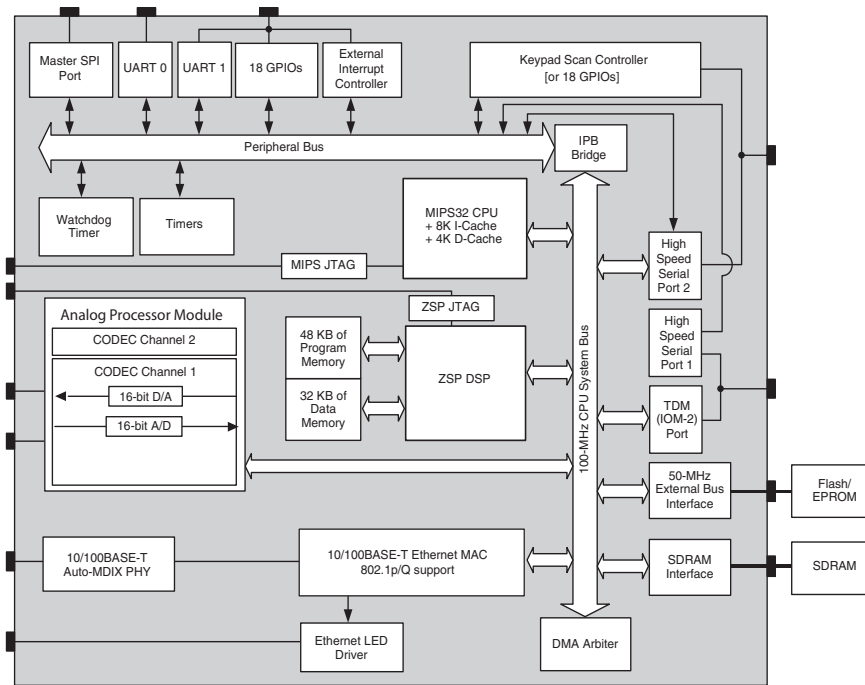
SUMMARY OF BENEFITS

- 87.5 MHz MIPS32 CPU and 108 MHz DSP Support
 - In IP phone applications
 - VxWorks Operating System
 - SIP, H.323, H.248/Megaco, and MGCP
 - Narrowband Vocoders: G.711, G.726, G.729A/AB, G.723.1/A and BroadVoice16™
 - Wideband Vocoders: G.722.1 and BroadVoice32™
 - Full-duplex speakerphone operation
 - Handset echo suppression
 - Enhanced Packet Loss Concealment
 - User application software
 - In VoIP gateway applications
 - VxWorks Operating System
 - SIP, H.323, H.248/Megaco, and MGCP
 - G.711, G.726, G.729A/AB, G.723.1/A, and BroadVoice®
 - Line echo cancellation
 - Conferencing support
 - Enhanced Packet Loss Concealment
 - User application software
- 10/100BASE-T Ethernet MAC and PHY
 - Integrates support for Modified Link Pulse in-line power specification
 - Compliant with 802.3af power over Ethernet standard
 - Provides auto-MDI/MDIX, enabling the use of straight or crossover cables in either port
- Wideband Audio CODECS
 - Enables support of emerging wideband vocoding standards

HARDWARE PLATFORMS

- **BCM91101 Reference Platform**
 - Complete Ethernet IP phone reference design in phone plastics
- **BCM91112SMTA Reference Platform**
 - Ethernet Residential Gateway reference design

OVERVIEW



Broadcom's BCM1115R is designed for use in feature-reduced, cost-sensitive, single Ethernet port consumer and Enterprise IP Phone and Gateway products.

Key modules integrated in the BCM1115R include:

- MIPS32™ 87.5-MHz processor with 8K 2-way set associative I-cache and 4K 2-way associated D-cache. This MCU supports the VoIP protocol stacks, VxWorks operating system, and customer application software. Programming is done in C, on top of Broadcom's object-oriented signal processing API.
- ZSP 87-MHz DSP with 48-KB instruction and 32-KB data RAM. The DSP can support narrowband voice communication using G.711, G.726, G.723.1/A, G.729A/AB, or BroadVoice16, and wideband communications using G.722 or BroadVoice32. Full-duplex speakerphone capability is supported in conjunction with any of these voice compression techniques for IP Phone designs. The DSP also supports enhanced Packet Loss Concealment, Jitter Buffer, fax relay and telephony algorithms e.g., DTMF and Call Progress Tones).
- Analog codecs: Two integrated analog CODECs capable of supporting both narrowband 8 Kilohertz (KHz) and wideband 16 KHz sampling, which, in conjunction with wideband voice coders, such as Broadcom's BroadVoice32, will enable IP phone networks to deliver high fidelity voice transmission.
- 10/100BASE-T Media Access Controller and Transceiver. The Media Access Controller (MAC) supports 802.1p prioritization of voice packets and 802.1Q VLAN support for segmenting physical networks into multiple logical networks. The transceiver performs all of the functions for 100BASE-T Ethernet in full- or half-duplex mode over Category (CAT) 5 twisted pair cabling and 10BASE-T Ethernet in full- or half-duplex mode over CAT 3, 4, or 5 twisted-pair cable. The PHY also supports auto-MDI/MDIX detection to allow the use of any cable type. The transceiver integrates support for in-line powering over Ethernet.

The BCM1115R is pin and software compatible with the BCM11101 and BCM11112 ICs suited for IP Phone and Terminal Adapter products that require basic application features sets, while still requiring the same voice quality and reliability of higher end products.

Broadcom®, the pulse logo, **Connecting everything®**, the Connecting everything logo, **BroadVoice®**, **BroadVoice16™**, and **BroadVoice32™** are trademarks of Broadcom Corporation and/or its subsidiaries in the United States and certain other countries. All other trademarks mentioned are the property of their respective owners.

Connecting
everything®



BROADCOM CORPORATION
16215 Alton Parkway, P.O. Box 57013
Irvine, California 92619-7013

© 2005 by BROADCOM CORPORATION. All rights reserved.

Phone: 949-450-8700
Fax: 949-450-8710
E-mail: info@broadcom.com
Web: www.broadcom.com