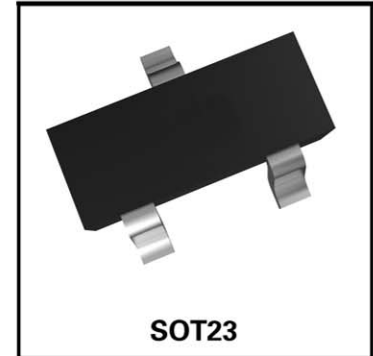


● PARTMARKING DETAILS –

BCW66F – EF  
 BCW66G – EG  
 BCW66H – EH

● COMPLEMENTARY TYPE – BCW68



● ABSOLUTE MAXIMUM RATINGS.

PARAMETER	SYMBOL	VALUE	UNIT
Collector-Base Voltage	$V_{CBO}$	75	V
Collector-Emitter Voltage	$V_{CEO}$	45	V
Emitter-Base Voltage	$V_{EBO}$	5	V
Continuous Collector Current	$I_C$	800	mA
Peak Collector Current(10ms)	$I_{CM}$	1000	mA
Base Current	$I_B$	100	mA
Power Dissipation at $T_{amb}=25^{\circ}C$	$P_{tot}$	330	mW
Operating and Storage Temperature Range	$T_j:T_{stg}$	-55 to +150	$^{\circ}C$



● **ELECTRICAL CHARACTERISTICS (at  $T_{amb} = 25^{\circ}\text{C}$  unless otherwise stated).**

PARAMETER		SYMBOL	MIN.	TYP.	MAX.	UNIT	CONDITIONS.
Collector-Emitter Breakdown Voltage		$V_{(BR)CEO}$	45			V	$I_{CEO}=10\text{mA}$
		$V_{(BR)CES}$	75			V	$I_C=10\mu\text{A}$
Emitter-Base Breakdown Voltage		$V_{(BR)EBO}$	5			V	$I_{EBO}=10\mu\text{A}$
Collector-Emitter Cut-off Current		$I_{CES}$			20 20	nA $\mu\text{A}$	$V_{CES}=45\text{V}$ $V_{CES}=45\text{V}, T_{amb}=150^{\circ}\text{C}$
Emitter-Base Cut-Off Current		$I_{EBO}$			20	nA	$V_{EBO}=4\text{V}$
Collector-Emitter Saturation Voltage		$V_{CE(sat)}$			0.3 0.7	V V	$I_C=100\text{mA}, I_B=10\text{mA}$ $I_C=500\text{mA}, I_B=50\text{mA}^*$
Base-Emitter Saturation Voltage		$V_{BE(sat)}$			2	V	$I_C=500\text{mA}, I_B=50\text{mA}^*$
Static Forward Current Transfer	BCW66F	$h_{FE}$	75 100 35	160	250		$I_C=10\text{mA}, V_{CE}=1\text{V}$ $I_C=100\text{mA}, V_{CE}=1\text{V}^*$ $I_C=500\text{mA}, V_{CE}=2\text{V}^*$
	BCW66G	$h_{FE}$	110 160 60	250	400		$I_C=10\text{mA}, V_{CE}=1\text{V}$ $I_C=100\text{mA}, V_{CE}=1\text{V}^*$ $I_C=500\text{mA}, V_{CE}=2\text{V}^*$
	BCW66H	$h_{FE}$	180 250 100	350	630		$I_C=10\text{mA}, V_{CE}=1\text{V}$ $I_C=100\text{mA}, V_{CE}=1\text{V}^*$ $I_C=500\text{mA}, V_{CE}=2\text{V}^*$
Transition Frequency		$f_T$	100			MHz	$I_C=20\text{mA}, V_{CE}=10\text{V}$ $f=100\text{MHz}$
Output Capacitance		$C_{obo}$		8	12	pF	$V_{CB}=10\text{V}, f=1\text{MHz}$
Input Capacitance		$C_{ibo}$			80	pF	$V_{EB}=0.5\text{V}, f=1\text{MHz}$
Noise Figure		N		2	10	dB	$I_C=0.2\text{mA}, V_{CE}=5\text{V}$ $R_G=1\text{k}\Omega$
Switching times: Turn-On Time Turn-Off Time		$t_{on}$ $t_{off}$			100 400	ns ns	$I_C=150\text{mA}$ $I_{B1}=I_{B2}=15\text{mA}$ $R_L=150\Omega$

Spice parameter data is available upon request for this device

\*Measured under pulsed conditions.

