

Features

- Lead Free Finish/RoHS Compliant ("P" Suffix designates RoHS Compliant. See ordering information)
- Ideally Suited for Automatic Insertion
- 150°C Junction Temperature
- Low Current, Low Frequency
- Epitaxial Planar Die Construction
- Epoxy meets UL 94 V-0 flammability rating
- Moisture Sensitivity Level 1

Mechanical Data

- Case: SOT-23, Molded Plastic
- Terminals: Solderable per MIL-STD-202, Method 208
- Marking: DH
- Weight: 0.008 grams (approx.)

Maximum Ratings @ 25°C Unless Otherwise Specified

Charateristic	Symbol	Value	Unit
Collector-Emitter Voltage	V_{CEO}	-45	V
Collector-Base Voltage	V_{CBO}	-60	V
Emitter-Base Voltage	V_{EBO}	-5	V
Collector Current(DC)	I_C	-800	mA
Peak Collector Current	I_{CM}	-1000	mA
Base Current(DC)	I_B	-100	mA
Peak Base Current	I_{BM}	-200	mA
Power Dissipation@ $T_s=79^\circ\text{C}$	P_d	330	mW
Thermal Resistance, Junction to Ambient Air	$R_{\theta JA}$	285 ⁽¹⁾	$^\circ\text{C}/\text{W}$
Thermal Resistance, Junction to Soldering Point	$R_{\theta JS}$	215	$^\circ\text{C}/\text{W}$
Operating & Storage Temperature	T_j, T_{STG}	-55~150	$^\circ\text{C}$

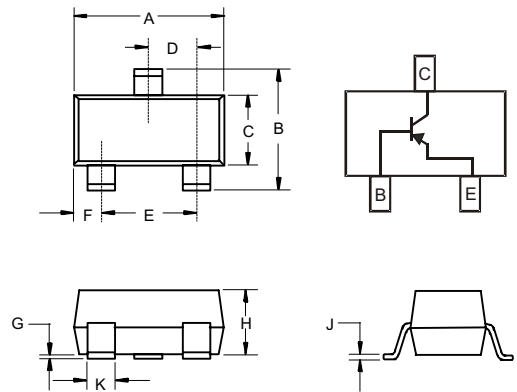
Notes:

- (1) Valid provided that leads are kept at ambient temperature.

BCW68H

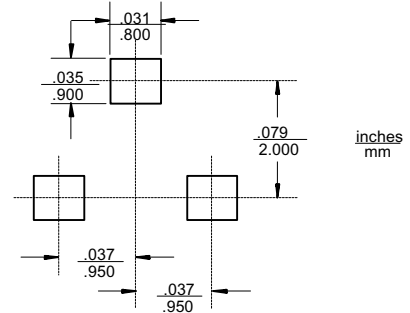
PNP Small Signal Transistor 330mW

SOT-23



DIM	INCHES		MM		NOTE
	MIN	MAX	MIN	MAX	
A	.110	.120	2.80	3.04	
B	.083	.098	2.10	2.64	
C	.047	.055	1.20	1.40	
D	.035	.041	.89	1.03	
E	.070	.081	1.78	2.05	
F	.018	.024	.45	.60	
G	.0005	.0039	.013	.100	
H	.035	.044	.89	1.12	
J	.003	.007	.085	.180	
K	.015	.020	.37	.51	

Suggested Solder Pad Layout



Electrical Characteristics ($T_A = 25^\circ\text{C}$ unless otherwise noted)

	Symbol	Min.	TYP.	Max.	Unit
DC Current Gain ⁽¹⁾					
at $V_{CE} = 1\text{V}$, $I_C = 10\text{mA}$	h_{FE}	180			
at $V_{CE} = 2\text{V}$, $I_C = 100\text{mA}$	h_{FE}	250		630	
at $V_{CE} = 2\text{V}$, $I_C = 500\text{mA}$	h_{FE}	100			
Collector-Emitter Saturation Voltage ⁽¹⁾					
at $I_C = 100\text{mA}$, $I_B = 10\text{mA}$	V_{CEsat}	–	–	0.3	V
at $I_C = 500\text{mA}$, $I_B = 50\text{mA}$	V_{CEsat}	–	–	1.0	V
Base-Emitter Saturation Voltage ⁽¹⁾					
at $I_C = 100\text{mA}$, $I_B = 10\text{mA}$	V_{BEsat}	–	–	1.25	V
at $I_C = 500\text{mA}$, $I_B = 50\text{mA}$	V_{BEsat}	–	–	2	V
Collector-Emitter Breakdown Voltage					
at $I_C = 10\text{mA}$, $I_B = 0$	$V_{(BR)CEO}$	45	–	–	V
Collector-Base Breakdown Voltage					
at $I_C = 10\mu\text{A}$, $I_B = 0$	$V_{(BR)CBO}$	60	–	–	V
Emitter-Base Breakdown Voltage					
at $I_E = 10\mu\text{A}$, at $I_C = 0$	$V_{(BR)EBO}$	5	–	–	V
Collector-Base Cut-off Current					
at $V_{CB} = 45\text{V}$, $I_E = 0$	I_{CBO}	–	–	20	nA
at $V_{CB} = 45\text{V}$, $I_E = 0$, $T_A = 150^\circ\text{C}$	I_{CBO}	–	–	20	μA
Emitter-Base Cut-off Current					
at $V_{EB} = 4\text{V}$, $I_C = 0$	I_{EBO}	–	–	20	nA
Gain-Bandwidth Product					
at $V_{CE} = 10\text{V}$, $I_C = 20\text{mA}$, $f = 100\text{MHz}$	f_T	–	100	–	MHz
Collector-Base Capacitance					
at $V_{CB} = 10\text{V}$, $f = 1\text{MHz}$	C_{CB}	–	6	–	pF
Emitter-Base Capacitance					
at $V_{EB} = 0.5\text{V}$, $f = 1\text{MHz}$	C_{EB}	–	60	–	pF

Note: (1) Pulse test: $t \leq 300\mu\text{s}$, $D = 2\%$



Micro Commercial Components

Ordering Information :

Device	Packing
Part Number-TP	Tape&Reel; 3Kpcs/Reel

*****IMPORTANT NOTICE*****

Micro Commercial Components Corp. reserves the right to make changes without further notice to any product herein to make corrections, modifications, enhancements, improvements, or other changes. **Micro Commercial Components Corp.** does not assume any liability arising out of the application or use of any product described herein; neither does it convey any license under its patent rights, nor the rights of others. The user of products in such applications shall assume all risks of such use and will agree to hold **Micro Commercial Components Corp.** and all the companies whose products are represented on our website, harmless against all damages.

*****LIFE SUPPORT*****

MCC's products are not authorized for use as critical components in life support devices or systems without the express written approval of Micro Commercial Components Corporation.

*****CUSTOMER AWARENESS*****

Counterfeiting of semiconductor parts is a growing problem in the industry. Micro Commercial Components (MCC) is taking strong measures to protect ourselves and our customers from the proliferation of counterfeit parts. MCC strongly encourages customers to purchase MCC parts either directly from MCC or from Authorized MCC Distributors who are listed by country on our web page cited below. Products customers buy either from MCC directly or from Authorized MCC Distributors are genuine parts, have full traceability, meet MCC's quality standards for handling and storage. **MCC will not provide any warranty coverage or other assistance for parts bought from Unauthorized Sources.** MCC is committed to combat this global problem and encourage our customers to do their part in stopping this practice by buying direct or from authorized distributors.

www.mccsemi.com