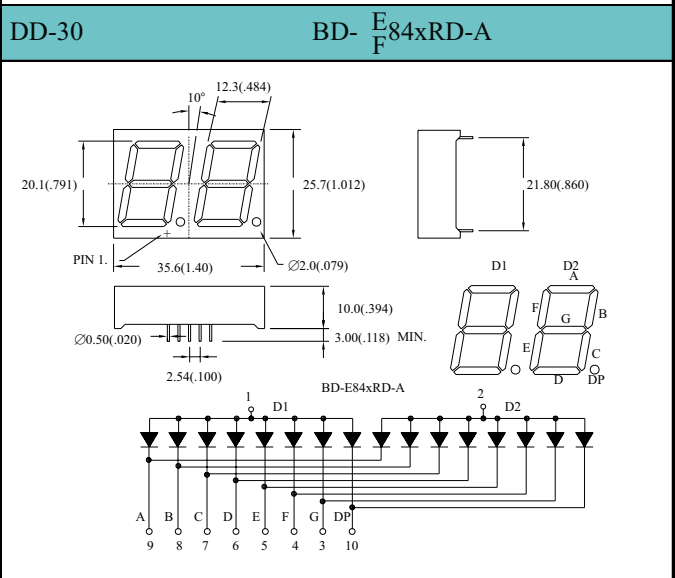
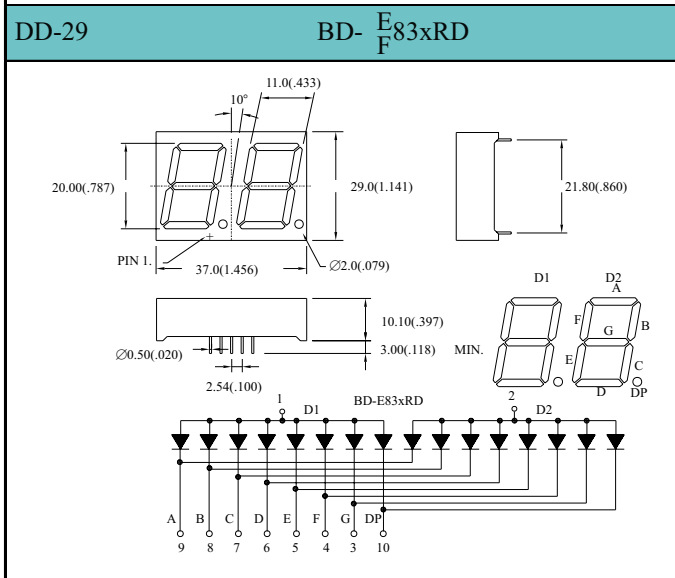
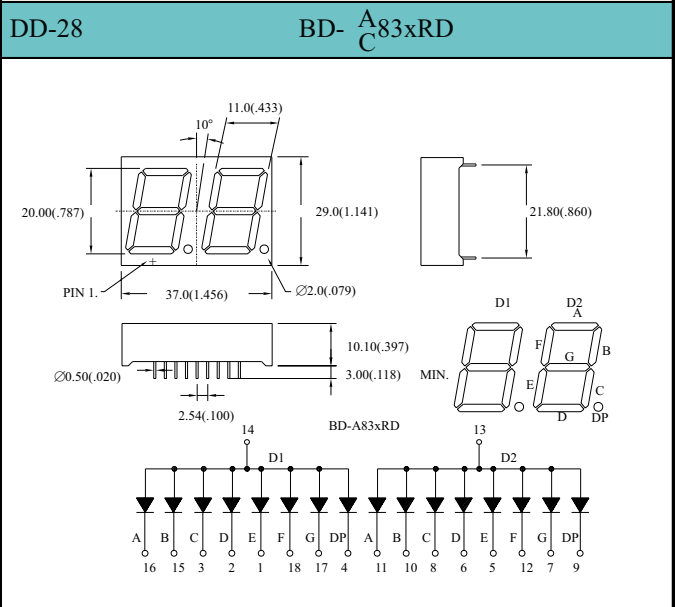
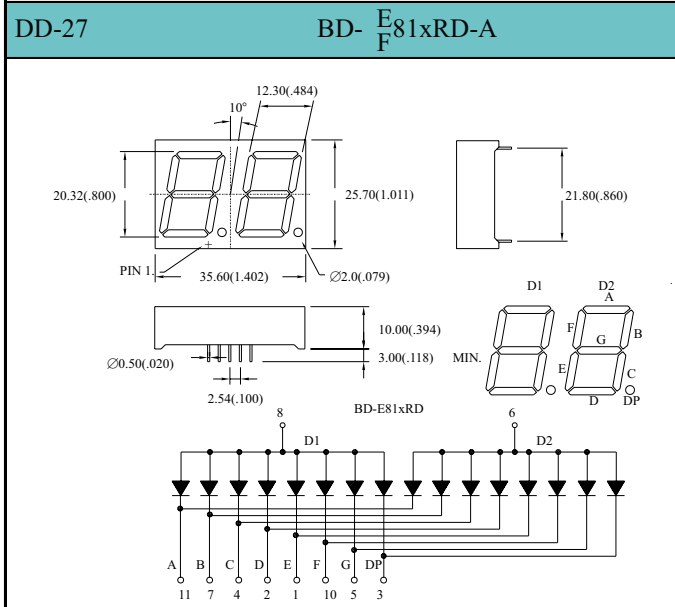
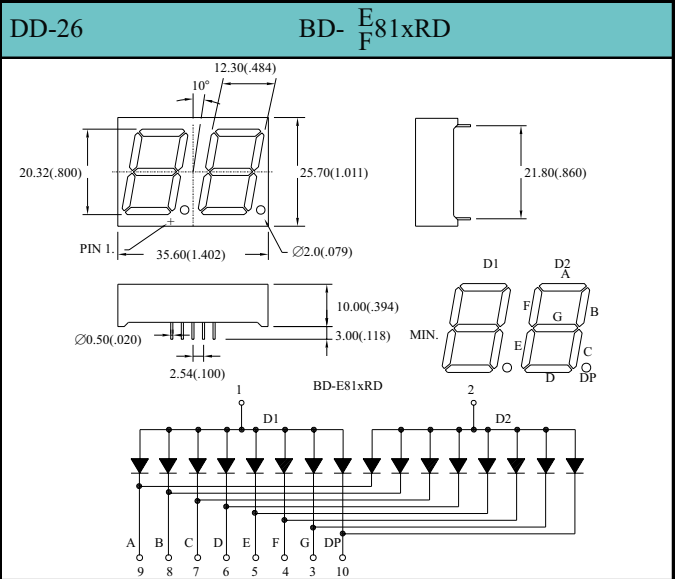
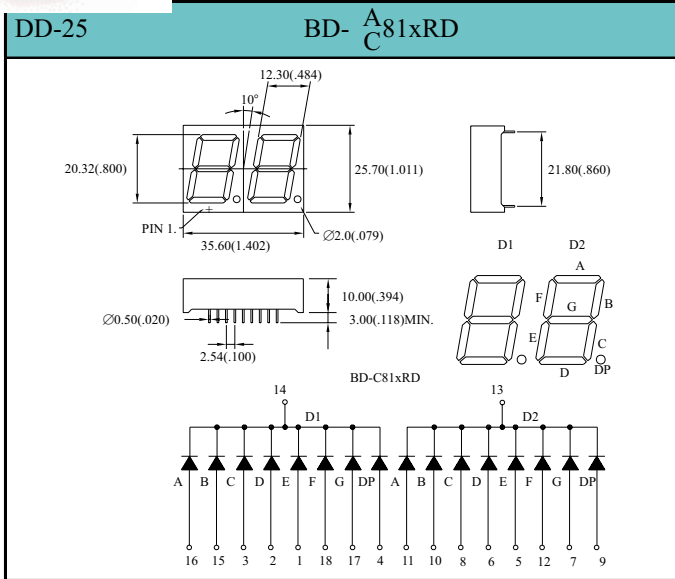




DUAL DIGIT LED DISPLAYS

Digit Size	Part No.		Chip		Absolute Maximum Ratings				Electro-optical Data(At 10mA)			Drawing No.
	Common Anode	Common Cathode	Material/Emitted Color	Peak Wave Length λ p(nm)	$\Delta \lambda$ (nm)	Pd (mw)	If (mA)	Ifp (mA)	Vf (v)		Iv. Typ. Per.Seg. (mcd)	
									Typ.	Max.		
0.80" Dual-Digit	BD-A811RD	BD-C811RD	GaAsP/Red	655	40	80	40	200	1.7	2.0	1.2	DD-25
	BD-A815RD	BD-C815RD	GaP/ Bright Red	700	90	40	15	50	2.2	2.5	1.6	
	BD-A815RE	BD-C815RE										
	BD-A812RD	BD-C812RD	GaP/ Green	568	30	80	30	150	2.2	2.5	4.0	
	BD-A813RD	BD-C813RD	GaAsP/GaP/ Yellow	585	35	80	30	150	2.1	2.5	3.0	
	BD-A814RD	BD-C814RD	GaAsP/GaP/ Hi-Eff.Red	635	45	80	30	150	2.0	2.5	4.0	
			GaAsP/GaP/ Orange									
	BD-A816RD	BD-C816RD	GaAlAs/ SH Super Red	660	20	80	30	150	1.7	2.5	7.0	
	BD-A81FRD	BD-C81FRD	GaAlAs/ DDH Super Red	660	20	80	30	150	2.0	2.5	12.0	
	BD-E811RD	BD-F811RD	GaAsP/Red	655	40	80	40	200	1.7	2.0	1.2	DD-26
	BD-E815RD	BD-F815RD	GaP/ Bright Red	700	90	40	15	50	2.2	2.5	1.6	
	BD-E815RE	BD-F815RE										
	BD-E812RD	BD-F812RD	GaP/ Green	568	30	80	30	150	2.2	2.5	4.0	
	BD-E813RD	BD-F813RD	GaAsP/GaP/ Yellow	585	35	80	30	150	2.1	2.5	3.0	
	BD-E814RD	BD-F814RD	GaAsP/GaP/ Hi-Eff.Red	635	45	80	30	150	2.0	2.5	4.0	
			GaAsP/GaP/ Orange									
	BD-E816RD	BD-F816RD	GaAlAs/ SH Super Red	660	20	80	30	150	1.7	2.5	7.0	
	BD-E81FRD	BD-F81FRD	GaAlAs/ DDH Super Red	660	20	80	30	150	2.0	2.5	12.0	
	BD-E811RD-A	BD-F811RD-A	GaAsP/Red	655	40	80	40	200	1.7	2.0	1.2	DD-27
	BD-E815RD-A	BD-F815RD-A	GaP/ Bright Red	700	90	40	15	50	2.2	2.5	1.6	
	BD-E815RE-A	BD-F815RE-A										
	BD-E812RD-A	BD-F812RD-A	GaP/ Green	568	30	80	30	150	2.2	2.5	4.0	
	BD-E813RD-A	BD-F813RD-A	GaAsP/GaP/ Yellow	585	35	80	30	150	2.1	2.5	3.0	
	BD-E814RD-A	BD-F814RD-A	GaAsP/GaP/ Hi-Eff.Red	635	45	80	30	150	2.0	2.5	4.0	
			GaAsP/GaP/ Orange									
	BD-E816RD-A	BD-F816RD-A	GaAlAs/ SH Super Red	660	20	80	30	150	1.7	2.5	7.0	
	BD-E81FRD-A	BD-F81FRD-A	GaAlAs/ DDH Super Red	660	20	80	30	150	1.7	2.5	12.0	
	BD-A831RD	BD-C831RD	GaAsP/Red	655	40	80	40	200	1.7	2.0	1.2	DD-28
	BD-A835RD	BD-C835RD	GaP/ Bright Red	700	90	40	15	50	2.2	2.5	1.6	
	BD-A835RE	BD-C835RE										
	BD-A832RD	BD-C832RD	GaP/ Green	568	30	80	30	150	2.2	2.5	4.0	
	BD-A833RD	BD-C833RD	GaAsP/GaP/ Yellow	585	35	80	30	150	2.1	2.5	3.0	
	BD-A834RD	BD-C834RD	GaAsP/GaP/ Hi-Eff.Red	635	45	80	30	150	2.0	2.5	4.0	
			GaAsP/GaP/ Orange									
	BD-A836RD	BD-C836RD	GaAlAs/ SH Super Red	660	20	80	30	150	1.7	2.5	7.0	
	BD-A83FRD	BD-C83FRD	GaAlAs/ DDH Super Red	660	20	80	30	150	2.0	2.5	12.0	
	BD-E831RD	BD-F831RD	GaAsP/Red	655	40	80	40	200	1.7	2.0	1.2	DD-29
	BD-E835RD	BD-F835RD	GaP/ Bright Red	700	90	40	15	50	2.2	2.5	1.6	
	BD-E835RE	BD-F835RE										
	BD-E832RD	BD-F832RD	GaP/ Green	568	30	80	30	150	2.2	2.5	4.0	
	BD-E833RD	BD-F833RD	GaAsP/GaP/ Yellow	585	35	80	30	150	2.1	2.5	3.0	
	BD-E834RD	BD-F834RD	GaAsP/GaP/ Hi-Eff.Red	635	45	80	30	150	2.0	2.5	4.0	
			GaAsP/GaP/ Orange									
	BD-E836RD	BD-F836RD	GaAlAs/ SH Super Red	660	20	80	30	150	1.7	2.5	7.0	
	BD-E83FRD	BD-F83FRD	GaAlAs/ DDH Super Red	660	20	80	30	150	2.0	2.5	12.0	
	BD-E841RD-A	BD-F841RD-A	GaAsP/Red	655	40	80	40	200	1.7	2.0	1.2	DD-30
	BD-E845RD-A	BD-F845RD-A	GaP/ Bright Red	700	90	40	15	50	2.2	2.5	1.6	
	BD-E845RE-A	BD-F845RE-A										
BD-E842RD-A	BD-F842RD-A	GaP/ Green	568	30	80	30	150	2.2	2.5	4.0		
BD-E843RD-A	BD-F843RD-A	GaAsP/GaP/ Yellow	585	35	80	30	150	2.1	2.5	3.0		
BD-E844RD-A	BD-F844RD-A	GaAsP/GaP/ Hi-Eff.Red	635	45	80	30	150	2.0	2.5	4.0		
		GaAsP/GaP/ Orange										
BD-E846RD-A	BD-F846RD-A	GaAlAs/ SH Super Red	660	20	80	30	150	1.7	2.5	7.0		
BD-E84FRD-A	BD-F84FRD-A	GaAlAs/ DDH Super Red	660	20	80	30	150	2.0	2.5	12.0		

DUAL DIGIT LED DISPLAYS



NOTES: 1.All Dimensions are in millimeters(inches).
3.Specifications are subject to change without notice.

2.Tolerance is $\pm 0.25\text{mm}(.010\text{'})$.
4.NP:No Pin. 5.NC:No Connect.