



# 100 Base-T single port through hole Magnetics



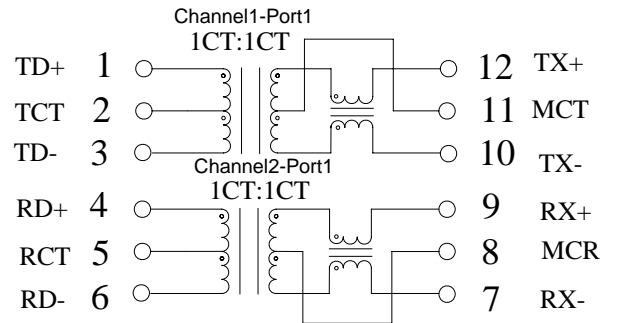
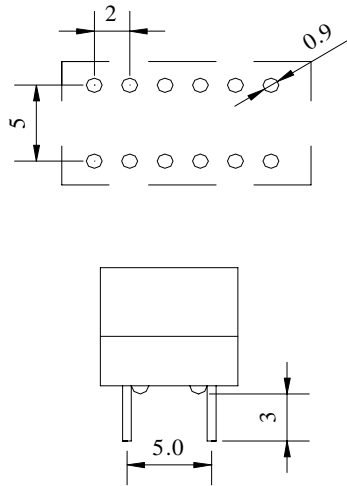
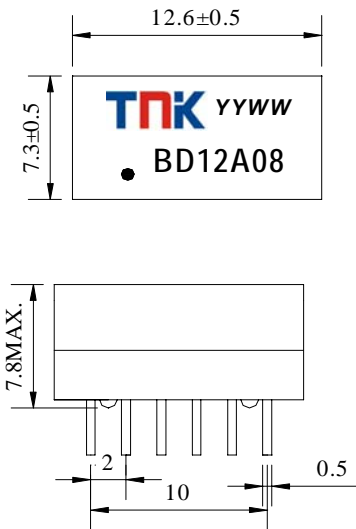
- ✚ Designed to meet IEEE802.3u requirement
- ✚ Primary inductance 350uH min with 8mA DC Bias
- ✚ RoHS Compliant.
- ✚ Operating temperature range:0°C to +70°C
- ✚ Storage temperature range:-25°C to +125°C

## Electrical Specifications @ 25°C

Part Number	Turn Ratio		Insertion Loss 0.5-100M Hz (dB Max)	Return Loss (dB Min)			Cross Talk (dB Min)		DCMR (dB Min)	CWW (pF Max)	LK (uH Max)	DCR (Ω Max)	Hi-Pot (Vrms)
	Tx	Rx		0.5-30 MHz	30.1-60 MHz	60.1-80 MHz	0.5-60 MHz	60.1-100 MHz					
BD12A08	1:1	1:1	-1.0	-16	-14	-12	-40	-35	-35	28	0.5	1.2	1500

### Mechanical

### Schematic



#### NOTE:

- 1、Dimensions:mm;
- 2、 Unless otherwise specified,tolerances:±0.25(mm);

东莞市讯康电子科技股份有限公司  
 地址：广东省东莞市塘厦镇林村里牙塘工业区 145 号  
 TEL:(86)769-87923451 FAX:(86)769-87923450  
 WEBSITE:http://www.tnk.net.cn