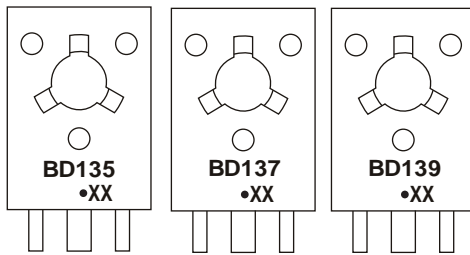


### BD135 / BD137 / BD139 TRANSISTOR (NPN)

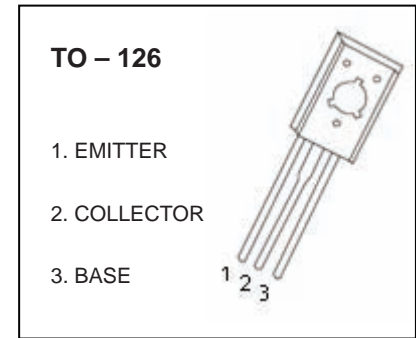
#### FEATURES

- High Current

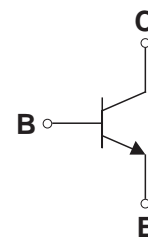
#### MARKING



BD135, BD137, BD139 = Device code  
 Solid dot = Green molding compound device,  
 if none, the normal device  
 XX = Code



#### Equivalent Circuit



#### ORDERING INFORMATION

Part Number	Package	Packing Method	Pack Quantity
BD135	TO-126	Bulk	100pcs/Bag
BD137	TO-126	Bulk	100pcs/Bag
BD139	TO-126	Bulk	100pcs/Bag

#### MAXIMUM RATINGS ( $T_a=25^{\circ}\text{C}$ unless otherwise noted)

Symbol	Parameter	Value	Unit
$V_{CB0}$	Collector-Base Voltage	BD135	45
		BD137	60
		BD139	80
$V_{CE0}$	Collector-Emitter Voltage	BD135	45
		BD137	60
		BD139	80
$V_{EB0}$	Emitter-Base Voltage	5	V
$I_C$	Collector Current	1.5	A
$P_C$	Collector Power Dissipation	1.25	W
$R_{\theta JA}$	Thermal Resistance From Junction To Ambient	100	$^{\circ}\text{C/W}$
$T_j$	Junction Temperature	150	$^{\circ}\text{C}$
$T_{stg}$	Storage Temperature	-55~+150	$^{\circ}\text{C}$



# BD135/BD137/BD139

## ELECTRICAL CHARACTERISTICS

$T_a=25^\circ\text{C}$  unless otherwise specified

Parameter	Symbol	Test conditions	Min	Typ	Max	Unit
Collector-base breakdown voltage	$V_{(BR)CBO}$	$I_C=0.1\text{mA}, I_E=0$				
BD135			45			V
BD137			60			
BD139			80			
Collector-emitter sustaining voltage	$V_{CEO(SUS)}$ *	$I_C=0.03\text{A}, I_B=0$				
BD135			45			V
BD137			60			
BD139			80			
Emitter-base breakdown voltage	$V_{(BR)EBO}$	$I_E=0.1\text{mA}, I_C=0$	5			V
Collector cut-off current	$I_{CBO}$	$V_{CB}=30\text{V}, I_E=0$			0.1	$\mu\text{A}$
Emitter cut-off current	$I_{EBO}$	$V_{EB}=5\text{V}, I_C=0$			10	$\mu\text{A}$
DC current gain	$h_{FE(1)}$ *	$V_{CE}=2\text{V}, I_C=150\text{mA}$	40		250	
	$h_{FE(2)}$ *	$V_{CE}=2\text{V}, I_C=5\text{mA}$	25			
	$h_{FE(3)}$ *	$V_{CE}=2\text{V}, I_C=500\text{mA}$	25			
Collector-emitter saturation voltage	$V_{CE(sat)}$ *	$I_C=500\text{mA}, I_B=50\text{mA}$			0.5	V
Base-emitter voltage	$V_{BE}$ *	$V_{CE}=2\text{V}, I_C=500\text{mA}$			1	V

\*Pulse test: pulse width  $\leq 350\mu\text{s}$ , duty cycles  $\leq 2.0\%$ .

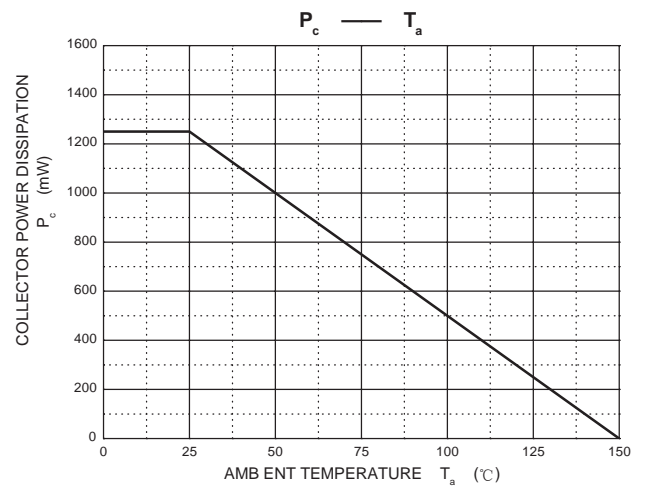
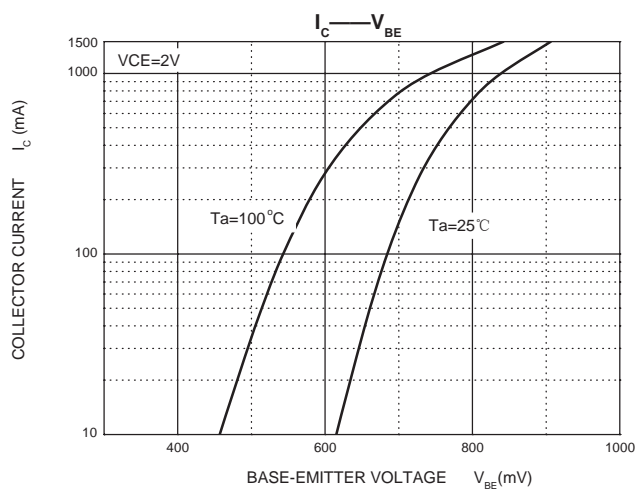
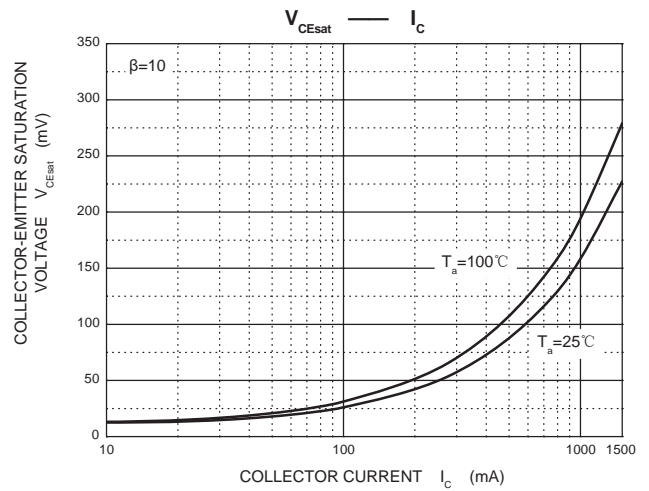
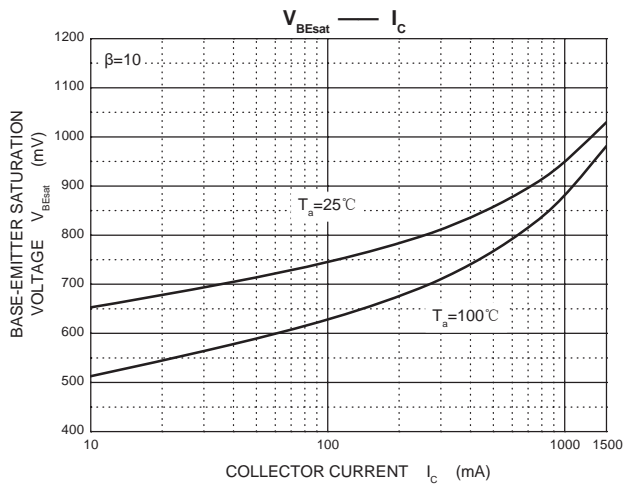
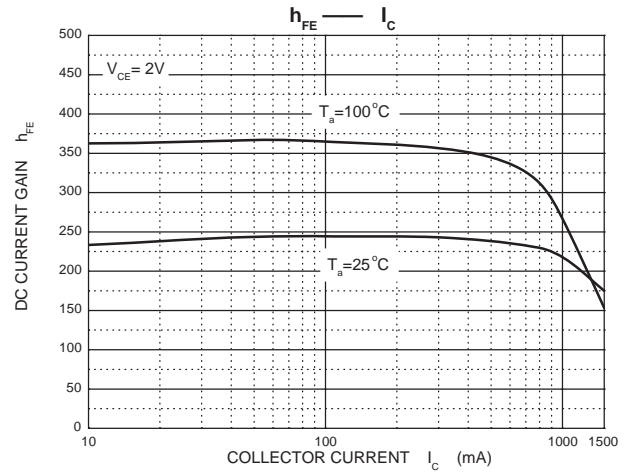
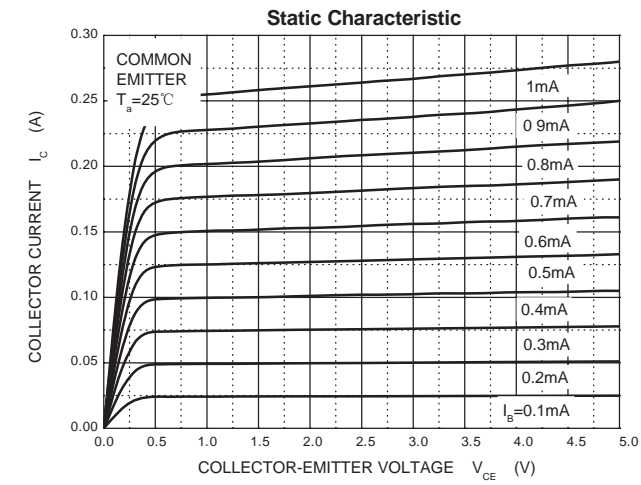
### CLASSIFICATION OF $h_{FE(1)}$

RANK	6	10	16
RANGE	40-100	63-160	100-250

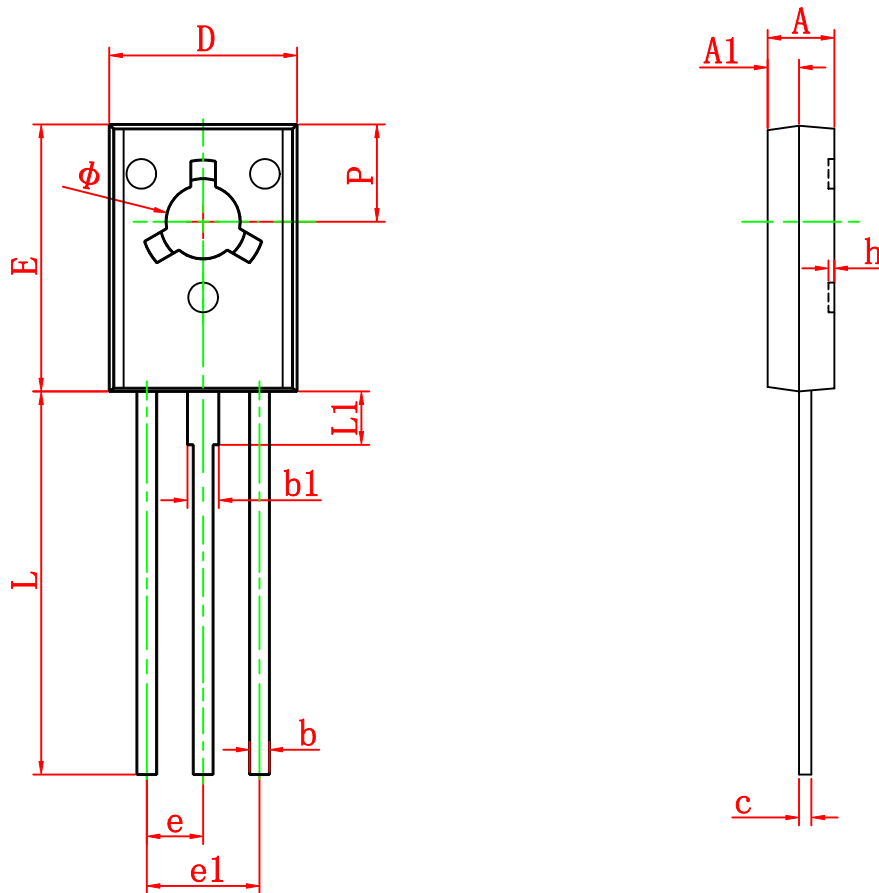


# BD135/BD137/BD139

## Typical Characteristics



## TO-126 Package Outline Dimensions



Symbol	Dimensions In Millimeters		Dimensions In Inches	
	Min	Max	Min	Max
A	2.500	2.900	0.098	0.114
A1	1.100	1.500	0.043	0.059
b	0.660	0.860	0.026	0.034
b1	1.170	1.370	0.046	0.054
c	0.450	0.600	0.018	0.024
D	7.400	7.800	0.291	0.307
E	10.600	11.000	0.417	0.433
e	2.290 TYP		0.090 TYP	
e1	4.480	4.680	0.176	0.184
h	0.000	0.300	0.000	0.012
L	15.300	15.700	0.602	0.618
L1	2.100	2.300	0.083	0.091
P	3.900	4.100	0.154	0.161
Φ	3.000	3.200	0.118	0.126