

BD2326

Triple Band 2-Way SMT Power Divider

1900~2500MHz PCS, WCDMA & TD-SCDMA, WiBro



Device Features

- Typical Isolation = 20.0 dB
- Typical Insertion Loss = 0.6 dB
- MSL 3 moisture rating
- Small Size and Low Profile
- Lead-free/RoHS-compliant SOT-26 Plastic Package



BD23XX(XX=Wafer number)

Product Description

BeRex's Divider BD2326 is designed for PCS, WCDMA & TD-SCDMA and WiBro band with low Insertion Loss and Isolation. This chip is fully passivated for enhanced performance and reliability and packaged in RoHS-compliant with SOT-26 surface mount package.

Typical Performance¹

Parameter	Min	Typical	Max	Unit
Frequency Range	1900		2500	MHz
Insertion Loss		0.65	0.9	dB
Isolation	15	20		dB
IRL(S11)		-15	-10	dBm
ORL(S22/S33)		-22	-18	dBm
Amplitude Balance		0.06	0.2	dB
Phase Balance		0.8	1.0	deg

*All specifications apply to the following test conditions,

1. Device performance _ measured on BeRex E/B at 25°C, 50ohm system.
2. Insertion Loss: Above 3.0dB.

Applications

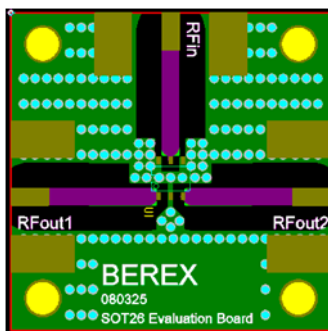
- Base station Infrastructure
- Commercial/Industrial/Military wireless system

Absolute Maximum Ratings

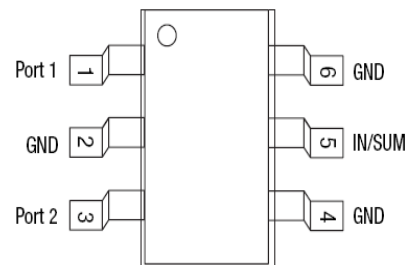
Parameter	Rating
Input Power	1W CW dBm
Storage Temperature	-55 to +155°C
Operating Temperature	-40 to +85°C

Operation of this device above any of these parameters may result in permanent damage.

Evaluation Board Drawing



Function Block Diagram



Pins 2,4 and 6 must be DC and RF grounded.

BD2326



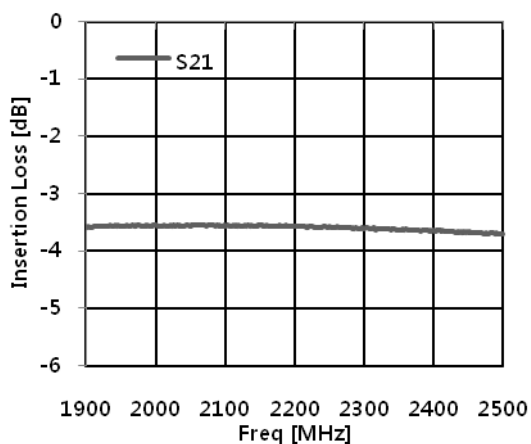
Triple Band 2-Way SMT Power Divider

1900~2500MHz PCS, WCDMA & TD-SCDMA, WiBro

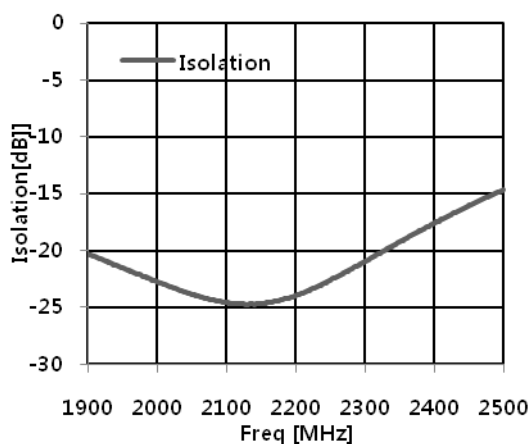
Typical Test Data

Parameters	Unit	WCDMA & TD-SCDMA			WiBro		
		1900	2075	2250	2200	2350	2500
Frequency Range	MHz	1900	2075	2250	2200	2350	2500
Insertion Loss	dB	0.58	0.59	0.64	0.62	0.69	0.77
Isolation	dB	23.33	27.55	23.28	24.47	19.58	15.03
IRL(S11)	dB	17.93	17.05	14.94	15.89	13.83	12.10
ORL(S22,S33)	dB	21.92	23.04	22.90	22.81	22.00	20.09
Phase Diff.	deg	0.69	0.76	0.60	0.84	0.56	0.62
Amplitude Balance	dB	0.03	0.04	0.06	0.05	0.06	0.09

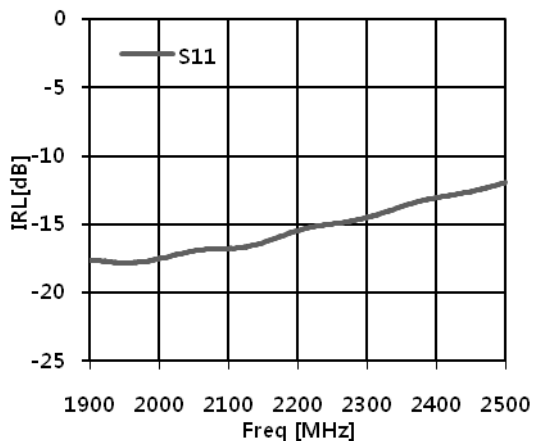
Insertion Loss vs. Frequency



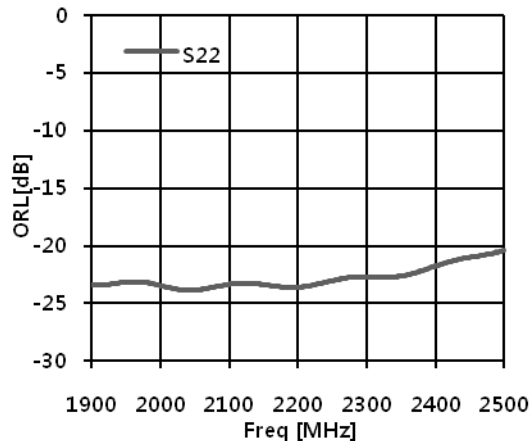
Isolation vs. Frequency



IRL vs. Frequency



ORL vs. Frequency



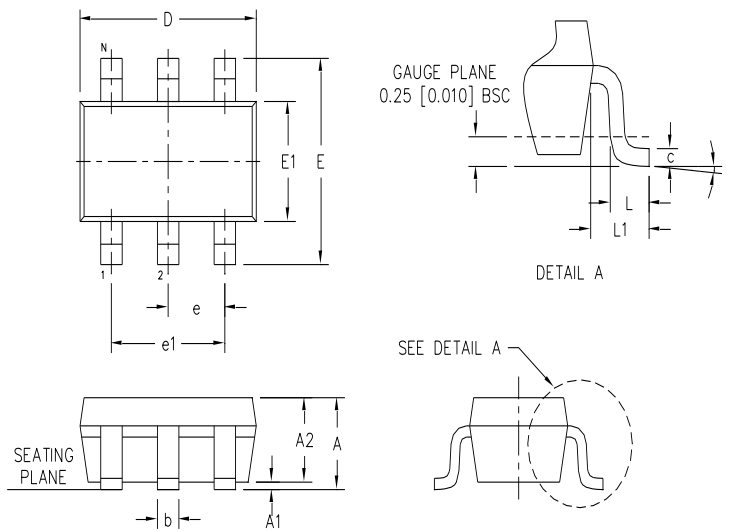
BD2326

Triple Band 2-Way SMT Power Divider

1900~2500MHz PCS, WCDMA & TD-SCDMA, WiBro



Package Outline Drawing

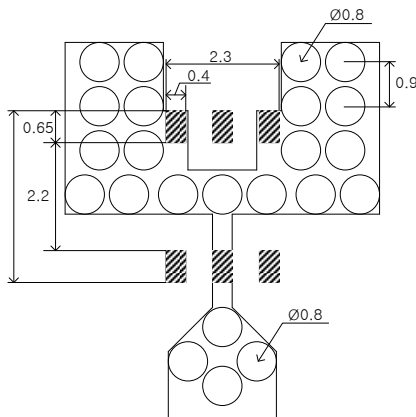


SYM	DIMENSION IN INCHES			DIMENSION IN MM		
	MIN	NOM	MAX	MIN	NOM	MAX
A	0.045	0.049	0.053	1.14	1.24	1.35
A1	0.002	0.004	0.006	0.05	0.10	0.15
A2	0.043	0.045	0.047	1.09	1.14	1.19
b	0.012	0.014	0.016	0.30	0.35	0.40
c	0.003	0.006	0.009	0.08	0.15	0.22
D	0.113	0.115	0.117	2.87	2.92	2.97
E1	0.061	0.064	0.066	1.55	1.63	1.68
E	0.105	0.110	0.115	2.67	2.79	2.92
e		0.037			0.95	
e1		0.075			1.90	
L	0.014	0.016	0.018	0.35	0.40	0.45
L1	0.021	0.023	0.025	0.53	0.58	0.64
Ø	0"	-	8"	0"	-	8"

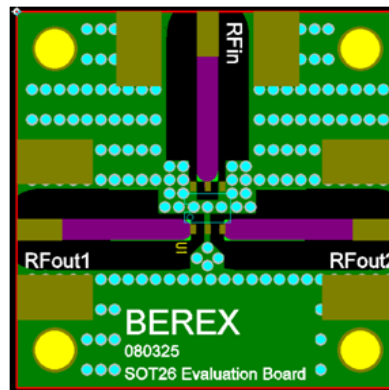
NOTES:
1. DIMENSION D DOES NOT INCLUDE MOLD FLASH, PROTRUSIONS OR GATE BURRS. DIMENSION E1 DOES NOT INCLUDE INTERLEAD FLASH OR PROTRUSIONS.

Suggested PCB Land Pattern and PAD Layout

PCB Land Pattern



PCB Mounting



Note : All dimension _ millimeters

PCB lay out _ on BeRex website

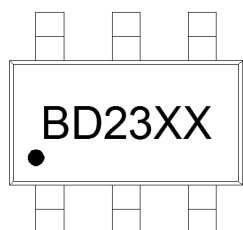
BD2326



Triple Band 2-Way SMT Power Divider

1900~2500MHz PCS, WCDMA & TD-SCDMA, WiBro

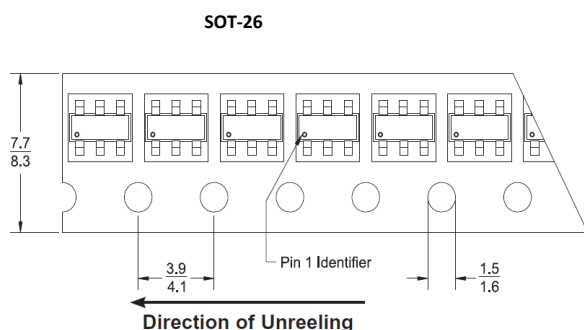
Package Marking



XX = Wafer No.

Pin 1

Tape & Reel



Packaging information:

Tape Width (mm): 8

Reel Size (inches): 7

Device Cavity Pitch (mm): 4

Devices Per Reel: 3000

Lead plating finish

100% Tin Matte finish

(All BeRex products undergoes a 1 hour, 150 degree C, Anneal bake to eliminate thin whisker growth concerns.)

MSL / ESD Rating

MSL Rating: Level 3 at +265°C convection reflow

Standard: JEDEC Standard J-STD-020

NATO CAGE code:

2	N	9	6	F
---	---	---	---	---