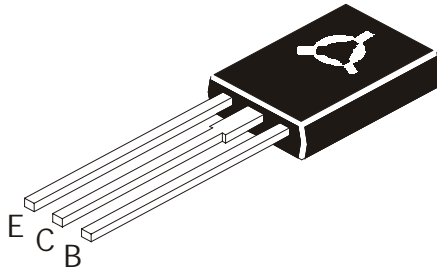


**PNP DARLINGTON POWER SILICON TRANSISTORS**

**BD676, 676A  
BD678, 678A  
BD680, 680A  
BD682, 684**



**TO126  
Plastic Package**

**For Use As Output Devices In Complementary General Purpose Amplifier Applications.**

**COMPLEMENTARY TO BD675, 675A, 677, 677A, 679, 679A, 681 & 683  
BD678, 678A, 680, 680A ARE EQUIVALENT TO MJE700, 702, 703.**

**ABSOLUTE MAXIMUM RATINGS (Ta=25°C unless specified otherwise)**

DESCRIPTION	SYMBOL TEST CONDITION	BD676	BD678	BD680	BD682	BD684	UNIT
		BD676A	BD678A	BD680A			
Collector -Base Voltage	$V_{CBO}$	45	60	80	100	120	V
Collector -Emitter Voltage	$V_{CEO}$	45	60	80	100	120	V
Emitter Base Voltage	$V_{EBO}$			5.0			V
Collector Current	$I_C$			4.0			A
Base Current	$I_B$			0.1			A
Collector Power Dissipation @ Tc=25°C	$P_D$			40			W
Derate above 25°C				0.32			W/°C
Operation and Storage Junction Temperature Range	$T_j, T_{stg}$			-55 to +150			°C

**THERMAL RESISTANCE**

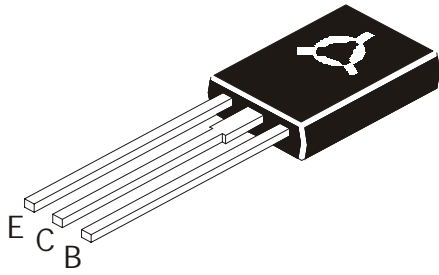
Junction to Case	$R_{th(j-c)}$			3.13			°C/W
------------------	---------------	--	--	------	--	--	------

**ELECTRICAL CHARACTERISTICS (Ta=25°C unless specified otherwise)**

DESCRIPTION	SYMBOL TEST CONDITION	BD676	BD678	BD680	BD682	BD684	UNIT
		BD676A	BD678A	BD680A			
Collector Emitter Voltage	$BV_{CEO}^*$ $I_C=50mA, I_B=0$	>45	>60	>80	>100	>120	V
Collector Cut off Current	$I_{CEO}$ $V_{CE}=\text{Half Rated } V_{CEO}, I_B=0$	<500	<500	<500	<500	>120	μA
Collector Cut off Current	$I_{CBO}$ $V_{CB}=\text{Rated } V_{CBO}, I_E=0$	<0.2	<0.2	<0.2	<0.2	<0.2	mA
	$V_{CB}=\text{Rated } V_{CBO}, I_E=0$ Ta=100°C	<2	<2	<2	<2	<2	mA
Emitter Cut off Current	$I_{EBO}$ $V_{EB}=5V, I_C=0$	<2	<2	<2	<2	<2	mA
DC Current Gain	$h_{FE}^*$						
	<b>NON A</b> <b>A</b>	$I_C=1.5A, V_{CE}=3V$ $I_C=2A, V_{CE}=3V$	<----- >750----->				

# PNP DARLINGTON POWER SILICON TRANSISTORS

BD676, 676A  
 BD678, 678A  
 BD680, 680A  
 BD682, 684



TO126  
 Plastic Package

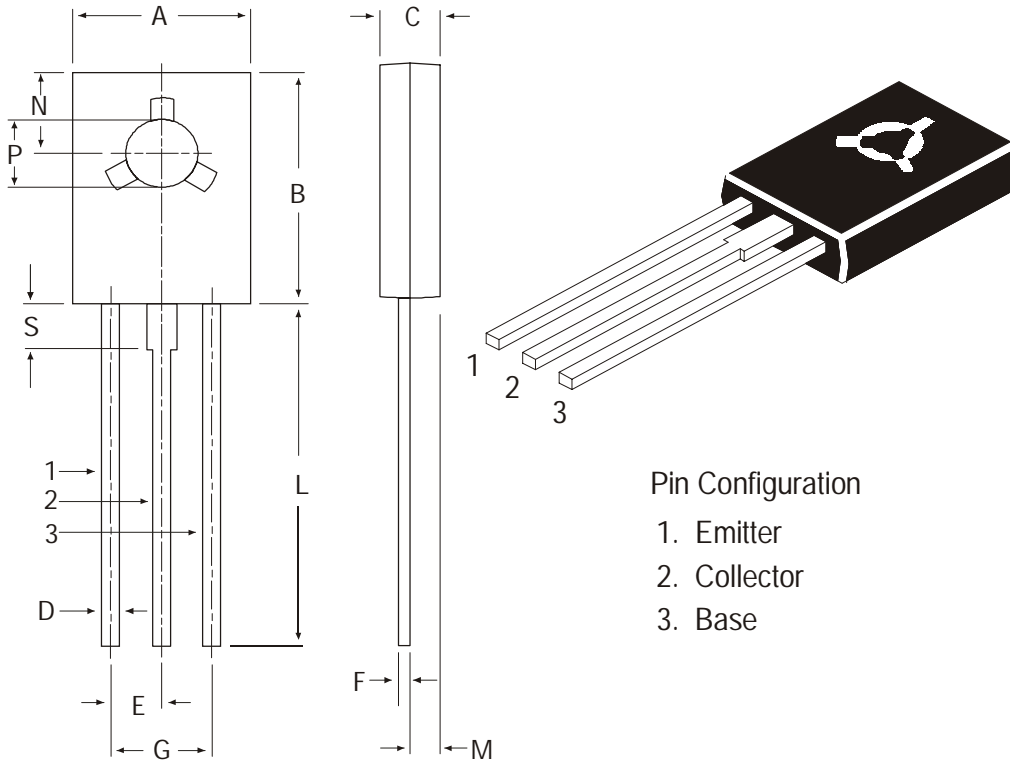
DESCRIPTION	SYMBOL	TEST CONDITION	BD676	BD678	BD680	BD682	BD684	UNIT
			BD676A	BD678A	BD680A			
<b>Collector Emitter Saturation Voltage</b>		$V_{CE(sat)}^*$						
	<b>NON A</b>	$I_C=1.5A, I_B=30mA$	<-----<2.5----->					V
	<b>A</b>	$I_C=2.0A, I_B=40mA$	<-----<2.8----->					V
<b>Base Emitter on Voltage</b>		$V_{BE(on)}^*$						
	<b>NON A</b>	$I_C=1.5A, V_{CE}=3V$	<-----<2.5----->					V
	<b>A</b>	$I_C=2A, V_{CE}=3V$	<-----<2.5----->					V
<b>Small Signal Current Gain</b>	$h_{fe1}$	$I_C=1.5A, V_{CE}=3V$ $f=1MHz$	<----->1.0----->					

\*Pulse Condition: Width = 300μs, Duty Cycle < 2%.

BD676, 676A  
 BD678, 678A  
 BD680, 680A  
 BD682, 684

TO126  
 Plastic Package

TO-126 (SOT-32) Plastic Package



DIM	MIN	MAX
A	7.4	7.8
B	10.5	10.8
C	2.4	2.7
D	0.7	0.9
E	2.25 TYP.	
F	0.49	0.75
G	4.5 TYP.	
L	15.7 TYP.	
M	1.27 TYP.	
N	3.75 TYP.	
P	3.0	3.2
S	2.5 TYP.	

All dimensions in mm.

Packing Detail

PACKAGE	STANDARD PACK		INNER CARTON BOX		OUTER CARTON BOX		
	Details	Net Weight/Qty	Size	Qty	Size	Qty	Gr Wt
TO-126 Bulk	500 pcs/polybag	340 gm/500 pcs	3" x 7.5" x 7.5"	2K	17" x 15" x 13.5"	32K	31 kgs
TO-126 Tube	50 pcs/tube	73 gm/50 pcs	3" x 3.7" x 21.5"	1K	19" x 19" x 19"	10K	15 kgs

### **Disclaimer**

The product information and the selection guides facilitate selection of the CDIL's Discrete Semiconductor Device(s) best suited for application in your product(s) as per your requirement. It is recommended that you completely review our Data Sheet(s) so as to confirm that the Device(s) meet functionality parameters for your application. The information furnished in the Data Sheet and on the CDIL Web Site/CD is believed to be accurate and reliable. CDIL however, does not assume responsibility for inaccuracies or incomplete information. Furthermore, CDIL does not assume liability whatsoever, arising out of the application or use of any CDIL product; neither does it convey any license under its patent rights nor rights of others. These products are not designed for use in life saving/support appliances or systems. CDIL customers selling these products (either as individual Discrete Semiconductor Devices or incorporated in their end products), in any life saving/support appliances or systems or applications do so at their own risk and CDIL will not be responsible for any damages resulting from such sale(s).

CDIL strives for continuous improvement and reserves the right to change the specifications of its products without prior notice.



CDIL is a registered Trademark of

**Continental Device India Limited**

C-120 Naraina Industrial Area, New Delhi 110 028, India.

Telephone + 91-11-579 6150 Fax + 91-11-579 9569, 579 5290

e-mail sales@cdil.com www.cdil.com