

isc Silicon PNP Power Transistor

BD934/936/938/940/942

DESCRIPTION

- DC Current Gain-
: $h_{FE} = 40(\text{Min}) @ I_C = -150\text{mA}$
- Complement to Type BD933/935/937/939/941

APPLICATIONS

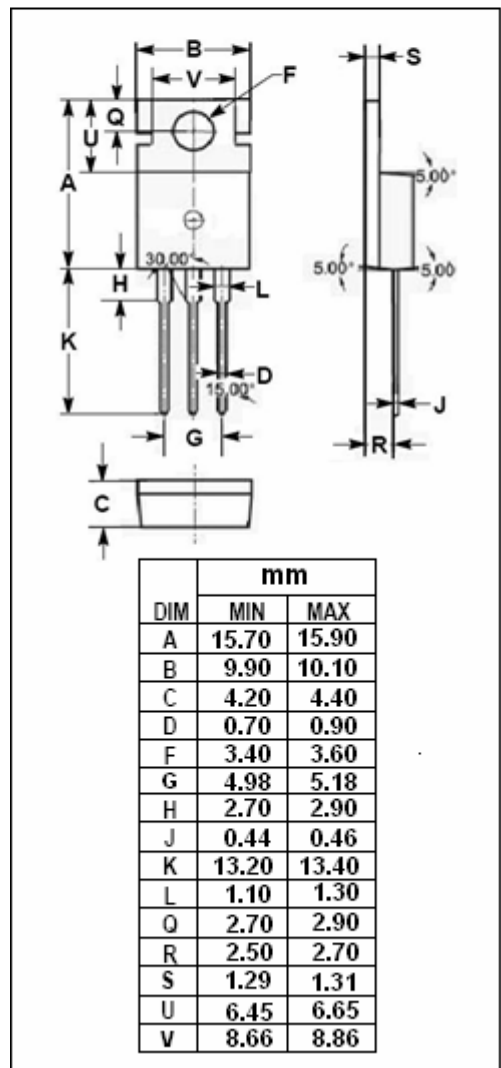
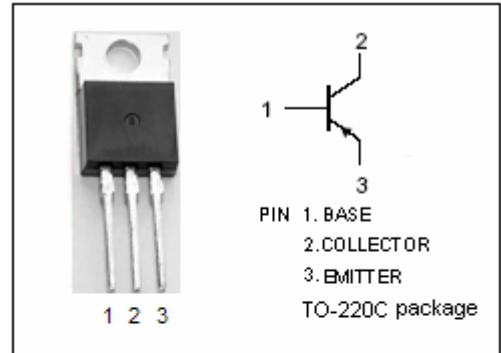
- Designed for use in output stages of audio and television amplifier circuits where high peak powers can occur.

ABSOLUTE MAXIMUM RATINGS($T_a=25^\circ\text{C}$)

SYMBOL	PARAMETER	VALUE	UNIT	
V_{CBO}	Collector-Base Voltage	BD934	-45	V
		BD936	-60	
		BD938	-100	
		BD940	-120	
		BD942	-140	
V_{CEO}	Collector-Emitter Voltage	BD934	-45	V
		BD936	-60	
		BD938	-80	
		BD940	-100	
		BD942	-120	
V_{EBO}	Emitter-Base Voltage	-5	V	
I_C	Collector Current-Continuous	-3	A	
I_{CM}	Collector Current-Peak	-7	A	
I_B	Base Current-Continuous	-0.5	A	
P_C	Collector Power Dissipation @ $T_C=25^\circ\text{C}$	30	W	
T_J	Junction Temperature	150	$^\circ\text{C}$	
T_{stg}	Storage Temperature Range	-65~150	$^\circ\text{C}$	

THERMAL CHARACTERISTICS

SYMBOL	PARAMETER	MAX	UNIT
$R_{th\ j-c}$	Thermal Resistance, Junction to Case	4.17	$^\circ\text{C/W}$
$R_{th\ j-a}$	Thermal Resistance, Junction to Ambient	70	$^\circ\text{C/W}$



isc Silicon PNP Power Transistor

BD934/936/938/940/942

ELECTRICAL CHARACTERISTICS

 $T_C=25^\circ\text{C}$ unless otherwise specified

SYMBOL	PARAMETER	CONDITIONS	MIN	TYP.	MAX	UNIT
$V_{CEO(SUS)}$	Collector-Emitter Sustaining Voltage	BD934	-45			V
		BD936	-60			
		BD938	-80			
		BD940	-100			
		BD942	-120			
$V_{CE(sat)}$	Collector-Emitter Saturation Voltage	$I_C = -1A; I_B = -0.1A$			-0.6	V
$V_{BE(on)}$	Base-Emitter On Voltage	$I_C = -1A; V_{CE} = -2V$			-1.3	V
I_{CBO}	Collector Cutoff Current	$V_{CB} = V_{CB0max}; I_E = 0$ $V_{CB} = V_{CB0max}; I_E = 0, T_J = 150^\circ\text{C}$			-0.05 -1	mA
I_{CEO}	Collector Cutoff Current	$V_{CE} = V_{CE0max}; I_B = 0$			-0.1	mA
I_{EBO}	Emitter Cutoff Current	$V_{EB} = -5V; I_C = 0$			-0.2	mA
h_{FE-1}	DC Current Gain	$I_C = -150mA; V_{CE} = -2V$	40		250	
h_{FE-2}	DC Current Gain	$I_C = -1A; V_{CE} = -2V$	25			
f_T	Current-Gain—Bandwidth Product	$I_C = -250mA; V_{CE} = -10V$	3			MHz

Switching Times

t_{on}	Turn-On Time	$I_C = -1.0A; I_{B1} = -I_{B2} = -0.1A$		0.2	0.6	μs
t_{off}	Turn-Off Time			0.7	2.4	μs