

**PNP Epitaxial Planar Transistor**

# BF421A3

**Description**

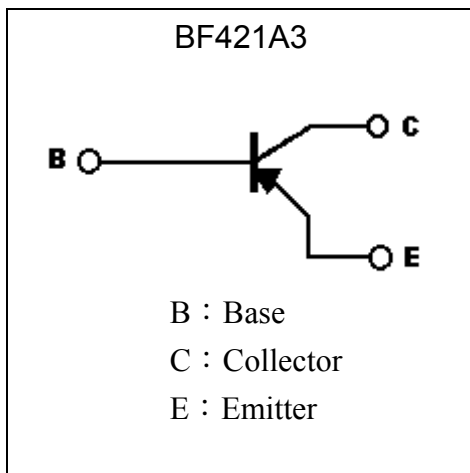
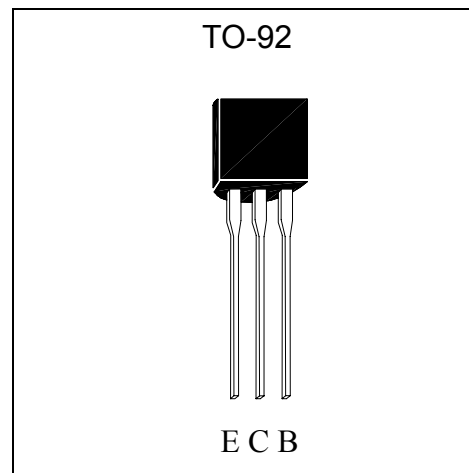
- PNP high voltage transistors in a TO-92 plastic package.
- Complementary to BF420A3.

**Features**

- Low feedback capacitance.

**Applications**

- Class-B video output stages in color television and professional monitor equipment.

**Symbol**

**Outline**

**Absolute Maximum Ratings** (Ta=25°C)

Parameter	Symbol	Conditions	Min	Max	Unit
Collector-Base Voltage	V <sub>CBO</sub>	Open emitter	-	-300	V
Collector-Emitter Voltage	V <sub>CEO</sub>	Open base	-	-300	V
Emitter-Base Voltage	V <sub>EBO</sub>	Open collector	-	-5	V
Collector Current (DC)	I <sub>C</sub>		-	-50	mA
Peak Collector Current	I <sub>CM</sub>		-	-100	mA
Peak Base Current	I <sub>BM</sub>		-	-50	mA
Power Dissipation	P <sub>d</sub>	T <sub>amb</sub> ≤ 25°C, Note	-	830	mW
Junction Temperature	T <sub>j</sub>		-	150	°C
Storage Temperature	T <sub>stg</sub>		-65	+150	°C
Operating Ambient Temperature	T <sub>amb</sub>		-65	+150	°C

Note : Transistor mounted on a printed-circuit board.

**Characteristics (Ta=25°C)**

Symbol	Min.	Typ.	Max.	Unit	Test Conditions
BV <sub>CBO</sub>	-300	-	-	V	I <sub>C</sub> =-100μA, I <sub>E</sub> =0
BV <sub>CEO</sub>	-300	-	-	V	I <sub>C</sub> =-1mA, I <sub>B</sub> =0
BV <sub>EBO</sub>	-5	-	-	V	I <sub>E</sub> =-10μA, I <sub>C</sub> =0
I <sub>CBO</sub>	-	-	-10	nA	V <sub>CB</sub> =-200V, I <sub>E</sub> =0
	-	-	-10	μA	I <sub>E</sub> =0, V <sub>CB</sub> =-200V, T <sub>j</sub> =150°C
I <sub>EBO</sub>	-	-	-50	nA	V <sub>EB</sub> =-5V, I <sub>C</sub> =0
*V <sub>CE(sat)</sub>	-	-	-0.6	V	I <sub>C</sub> =-30mA, I <sub>B</sub> =-5mA
*h <sub>FE</sub>	50	-	-	-	V <sub>CE</sub> =-20V, I <sub>C</sub> =-25mA
Cre	-	-	1.6	pF	I <sub>C</sub> =i <sub>C</sub> =0, V <sub>CE</sub> =-30V, f=1MHz
f <sub>T</sub>	60	-	-	MHz	V <sub>CE</sub> =-10V, I <sub>C</sub> =-10mA, f=100MHz

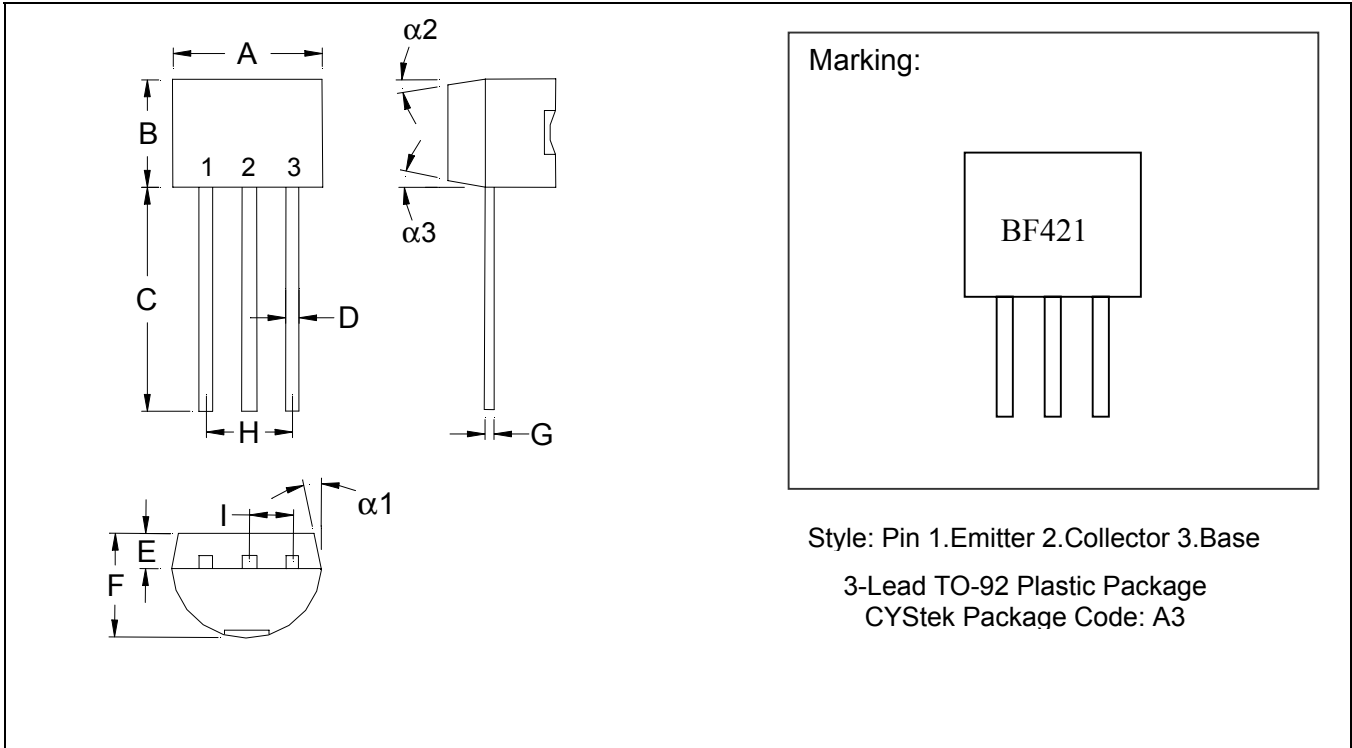
\*Pulse Test: Pulse Width ≤380μs, Duty Cycle≤2%

**Thermal Characteristics**

Symbol	Parameter	Conditions	Value	Unit
R <sub>thJA</sub>	Thermal resistance from junction to ambient	Note	150	K/W

Note : Transistor mounted on a printed-circuit board.

**TO-92 Dimension**



\*: Typical

DIM	Inches		Millimeters		DIM	Inches		Millimeters	
	Min.	Max.	Min.	Max.		Min.	Max.	Min.	Max.
A	0.1704	0.1902	4.33	4.83	G	0.0142	0.0220	0.36	0.56
B	0.1704	0.1902	4.33	4.83	H	-	*0.1000	-	*2.54
C	0.5000	-	12.70	-	I	-	*0.0500	-	*1.27
D	0.0142	0.0220	0.36	0.56	$\alpha 1$	-	*5°	-	*5°
E	-	*0.0500	-	*1.27	$\alpha 2$	-	*2°	-	*2°
F	0.1323	0.1480	3.36	3.76	$\alpha 3$	-	*2°	-	*2°

Notes: 1. Controlling dimension: millimeters.  
 2. Maximum lead thickness includes lead finish thickness, and minimum lead thickness is the minimum thickness of base material.  
 3. If there is any question with packing specification or packing method, please contact your local CYStek sales office.

**Material:**

- Lead: 42 Alloy ; solder plating
- Mold Compound: Epoxy resin family, flammability solid burning class: UL94V-0

**Important Notice:**

- All rights are reserved. Reproduction in whole or in part is prohibited without the prior written approval of CYStek.
- CYStek reserves the right to make changes to its products without notice.
- CYStek **semiconductor products are not warranted to be suitable for use in Life-Support Applications, or systems.**
- CYStek assumes no liability for any consequence of customer product design, infringement of patents, or application assistance.