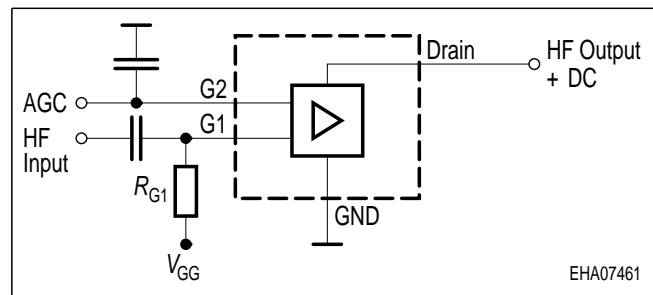
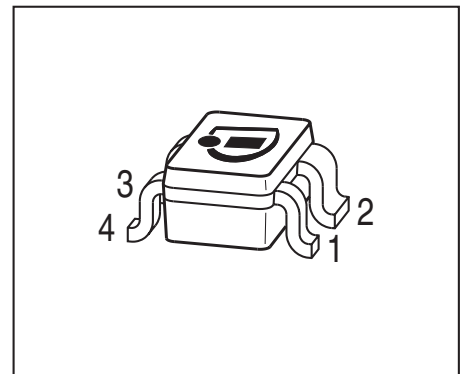


**Silicon N-Channel MOSFET Tetrode**

- Low noise gain controlled input stages of UHF-and VHF - tuners with 3V up to 5V supply voltage
- Integrated gate protection diodes
- Low noise figure
- High gain, high forward transadmittance
- Improved cross modulation at gain reduction



**ESD (Electrostatic discharge) sensitive device, observe handling precaution!**

Type	Package	Pin Configuration						Marking
BF5030W	SOT343	1=D	2=S	3=G1	4=G2	-	-	KXs

**Maximum Ratings**

Parameter	Symbol	Value	Unit
Drain-source voltage	$V_{DS}$	8	V
Continuous drain current	$I_D$	25	mA
Gate 1/ gate 2-source current	$\pm I_{G1/2SM}$	1	
Gate 1/ gate 2-source voltage	$\pm V_{G1/G2S}$	6	V
Total power dissipation $T_S \leq 78 \text{ }^\circ\text{C}$	$P_{tot}$	200	mW
Storage temperature	$T_{stg}$	-55 ... 150	$^\circ\text{C}$
Channel temperature	$T_{ch}$	150	

**Thermal Resistance**

Parameter	Symbol	Value	Unit
Channel - soldering point <sup>1)</sup>	$R_{thchs}$	$\leq 280$	K/W

<sup>1)</sup>For calculation of  $R_{thJA}$  please refer to Application Note Thermal Resistance

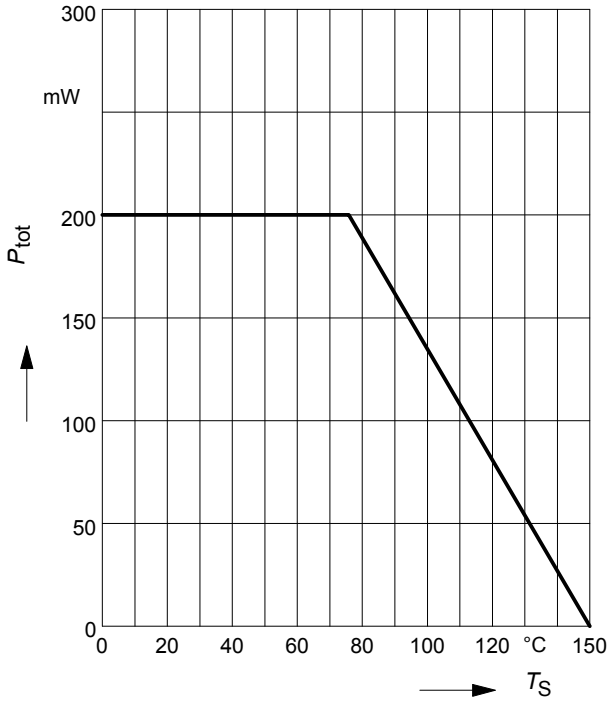
**Electrical Characteristics** at  $T_A = 25^\circ\text{C}$ , unless otherwise specified

Parameter	Symbol	Values			Unit
		min.	typ.	max.	
<b>DC Characteristics</b>					
Drain-source breakdown voltage $I_D = 1 \mu\text{A}$ , $V_{G1S} = 0$ , $V_{G2S} = 0$	$V_{(BR)DS}$	12	-	-	V
Gate1-source breakdown voltage $+I_{G1S} = 10 \text{ mA}$ , $V_{G2S} = 0$ , $V_{DS} = 0$	$+V_{(BR)G1SS}$	6	-	15	
Gate2-source breakdown voltage $+I_{G2S} = 10 \text{ mA}$ , $V_{G1S} = 0$ , $V_{DS} = 0$	$+V_{(BR)G2SS}$	6	-	15	
Gate1-source leakage current $V_{G1S} = 6 \text{ V}$ , $V_{G2S} = 0$ , $V_{DS} = 0$	$+I_{G1SS}$	-	-	50	nA
Gate2-source leakage current $V_{G2S} = 6 \text{ V}$ , $V_{G1S} = 0$ , $V_{DS} = 0$	$+I_{G2SS}$	-	-	50	
Drain current $V_{DS} = 3 \text{ V}$ , $V_{G1S} = 0$ , $V_{G2S} = 3 \text{ V}$	$I_{DSS}$	-	-	100	
Drain-source current $V_{DS} = 3 \text{ V}$ , $V_{G2S} = 3 \text{ V}$ , $R_{G1} = 68 \text{ k}\Omega$	$I_{DSX}$	-	12	-	mA
Gate1-source pinch-off voltage $V_{DS} = 3 \text{ V}$ , $V_{G2S} = 3 \text{ V}$ , $I_D = 20 \mu\text{A}$	$V_{G1S(p)}$	-	0.6	-	V
Gate2-source pinch-off voltage $V_{DS} = 3 \text{ V}$ , $V_{G1S} = 3 \text{ V}$ , $I_D = 20 \mu\text{A}$	$V_{G2S(p)}$	-	0.7	-	

**Electrical Characteristics** at  $T_A = 25^\circ\text{C}$ , unless otherwise specified

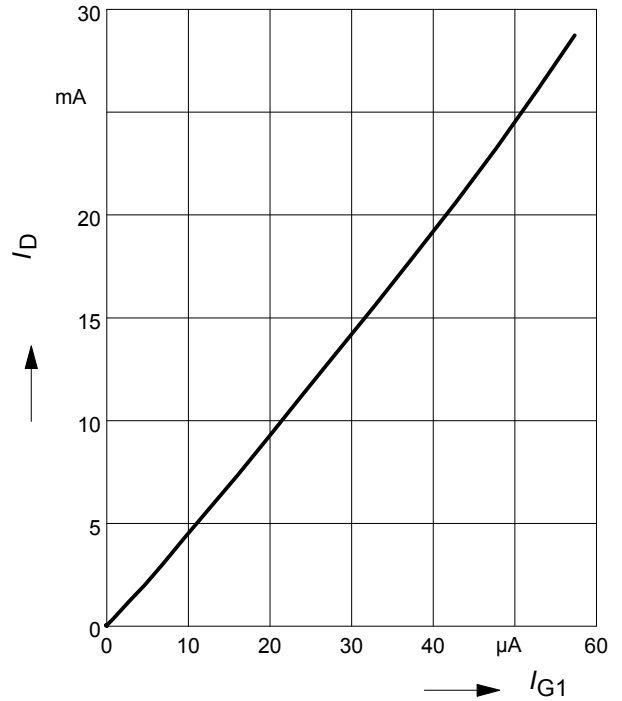
Parameter	Symbol	Values			Unit
		min.	typ.	max.	
<b>AC Characteristics - (verified by random sampling)</b>					
Forward transconductance $V_{DS} = 3\text{ V}, V_{G2S} = 3\text{ V}$	$g_{fs}$	-	41	-	mS
Gate1 input capacitance $V_{DS} = 3\text{ V}, V_{G2S} = 3\text{ V}, f = 10\text{ MHz}$	$C_{g1ss}$	-	2.7	-	pF
Output capacitance $V_{DS} = 3\text{ V}, V_{G2S} = 3\text{ V}, f = 10\text{ MHz}$	$C_{dss}$	-	1.6	-	
Power gain $V_{DS} = 3\text{ V}, I_D = 10\text{ mA}, V_{G2S} = 3\text{ V}, f = 800\text{ MHz}$ $V_{DS} = 3\text{ V}, I_D = 10\text{ mA}, V_{G2S} = 3\text{ V}, f = 45\text{ MHz}$	$G_p$	-	24	-	dB
		-	35	-	
Noise figure $V_{DS} = 3\text{ V}, I_D = 10\text{ mA}, V_{G2S} = 3\text{ V}, f = 800\text{ MHz}$ $V_{DS} = 3\text{ V}, I_D = 10\text{ mA}, V_{G2S} = 3\text{ V}, f = 45\text{ MHz}$	$F$	-	1.3	-	dB
		-	1	-	
Gain control range $V_{DS} = 3\text{ V}, V_{G2S} = 3\dots 0\text{ V}, f = 800\text{ MHz}$	$\Delta G_p$	45	-	-	
Cross-modulation $k=1\%$ , $f_w=50\text{MHz}$ , $f_{unw}=60\text{MHz}$ AGC = 0 AGC = 10 dB AGC = 40 dB	$X_{mod}$	90	94	-	dB
		-	92	-	
		96	98	-	

**Total power dissipation  $P_{tot} = f(T_S)$**

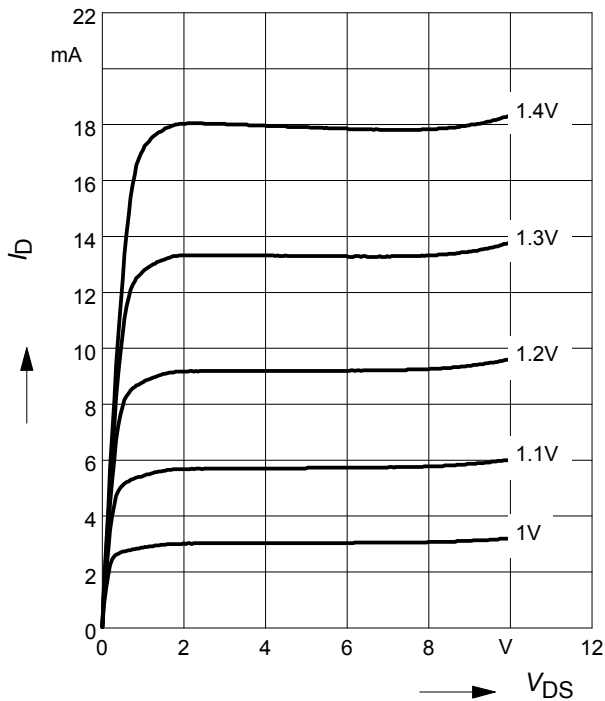


**Drain current  $I_D = f(I_{G1})$**

$V_{G2S} = 3V$



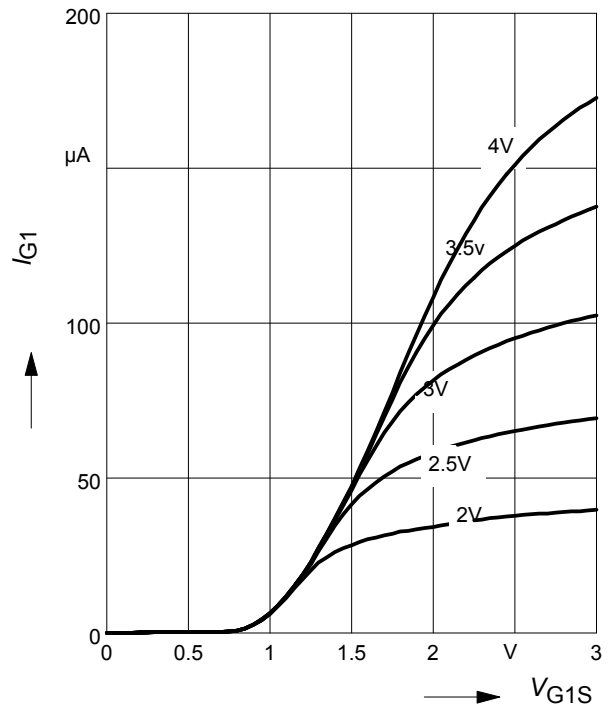
**Output characteristics  $I_D = f(V_{DS})$**



**Gate 1 current  $I_{G1} = f(V_{G1S})$**

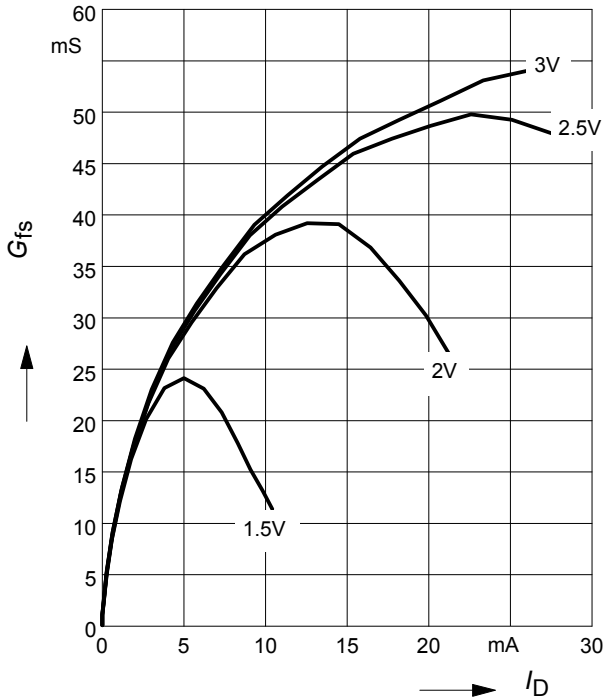
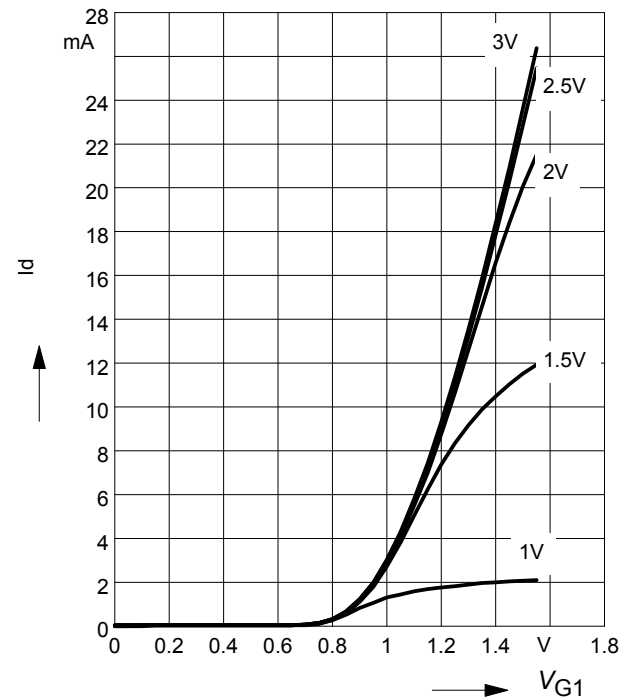
$V_{DS} = 3V$

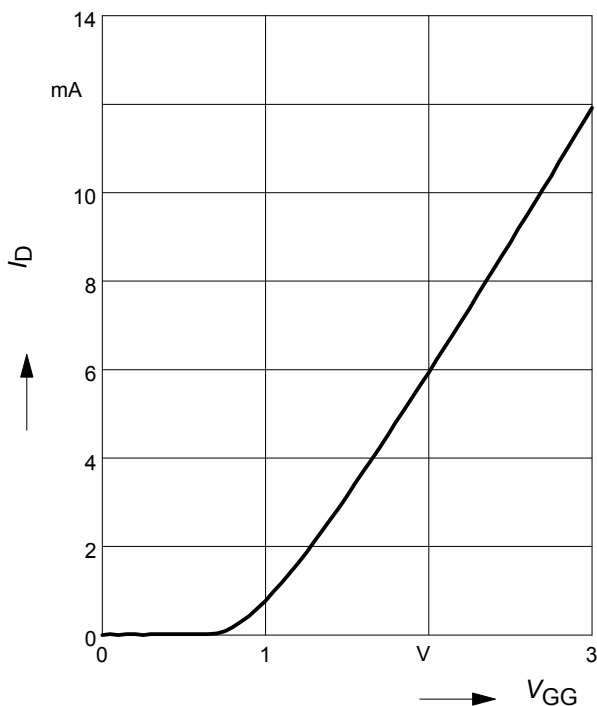
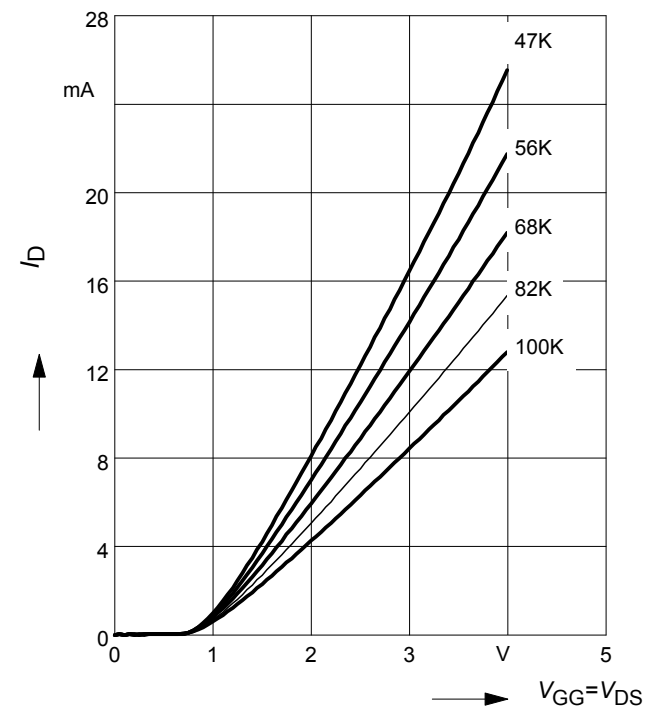
$V_{G2S} = \text{Parameter}$



**Gate 1 forward transconductance**

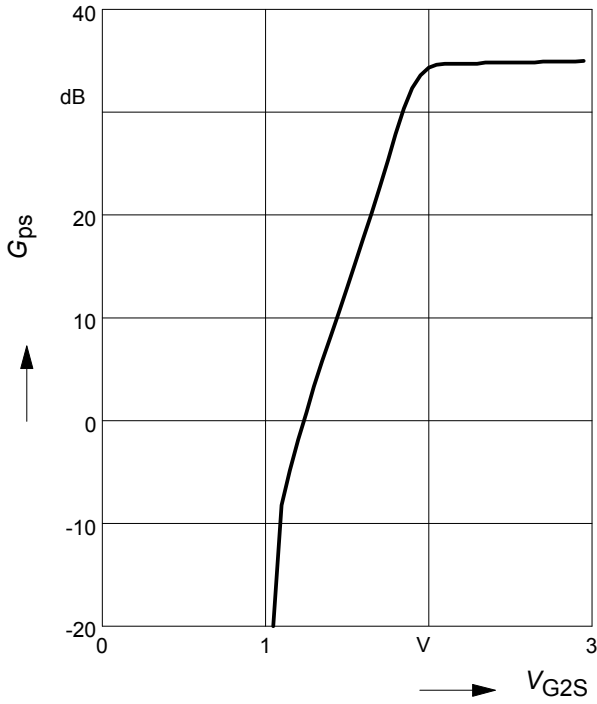
$$g_{fs} = f(I_D)$$

 $V_{DS} = 3V, V_{G2S} = \text{Parameter}$ 

**Drain current  $I_D = f(V_{G1S})$** 
 $V_{DS} = 3V$ 
 $V_{G2S} = \text{Parameter}$ 

**Drain current  $I_D = f(V_{GG})$** 
 $V_{DS} = 3V, V_{G2S} = 3V, R_{G1} = 68k\Omega$ 

 (connected to  $V_{GG}$ ,  $V_{GG} = \text{gate1 supply voltage}$ )

**Drain current  $I_D = f(V_{GG})$** 
 $V_{G2S} = 3V$ 
 $R_{G1} = \text{Parameter in } k\Omega$ 


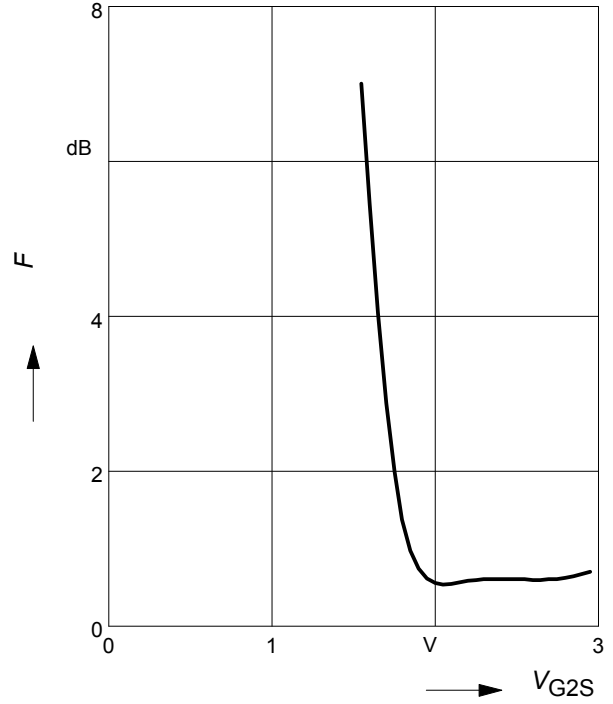
**Power gain  $G_{ps} = f(V_{G2S})$**

$f = 45 \text{ MHz}$



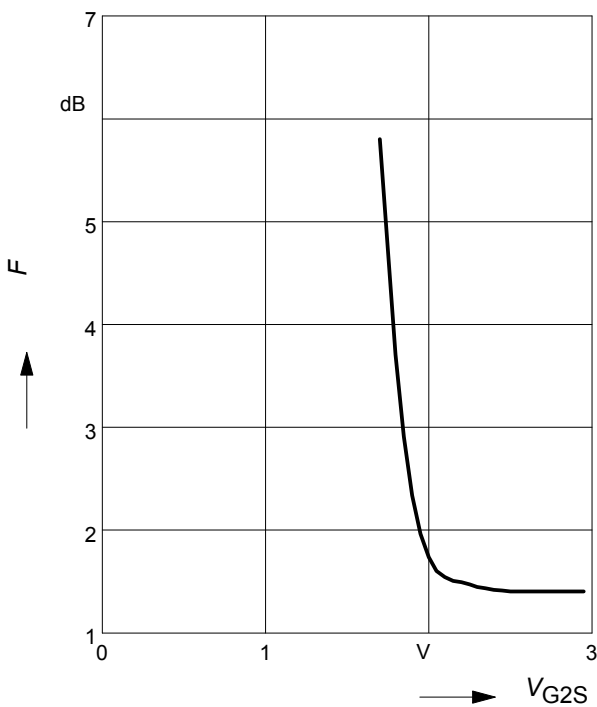
**Noise figure  $F = f(V_{G2S})$**

$f = 45 \text{ MHz}$



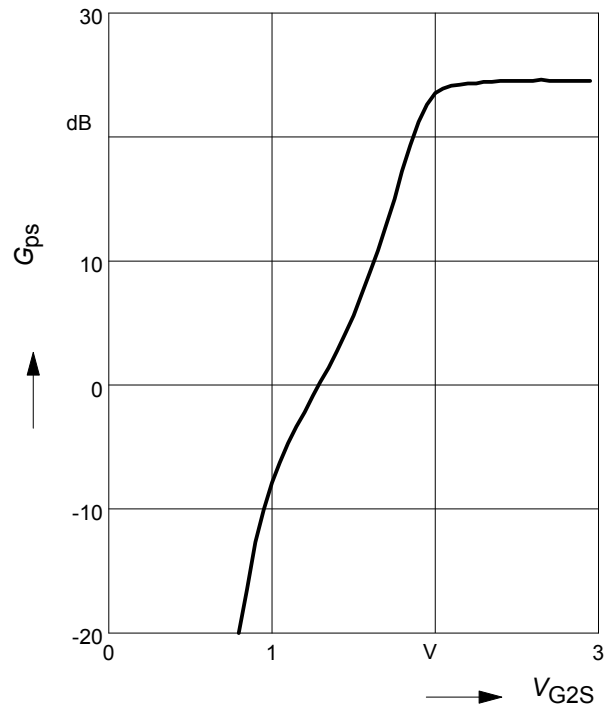
**Noise figure  $F = f(V_{G2S})$**

$f = 800 \text{ MHz}$



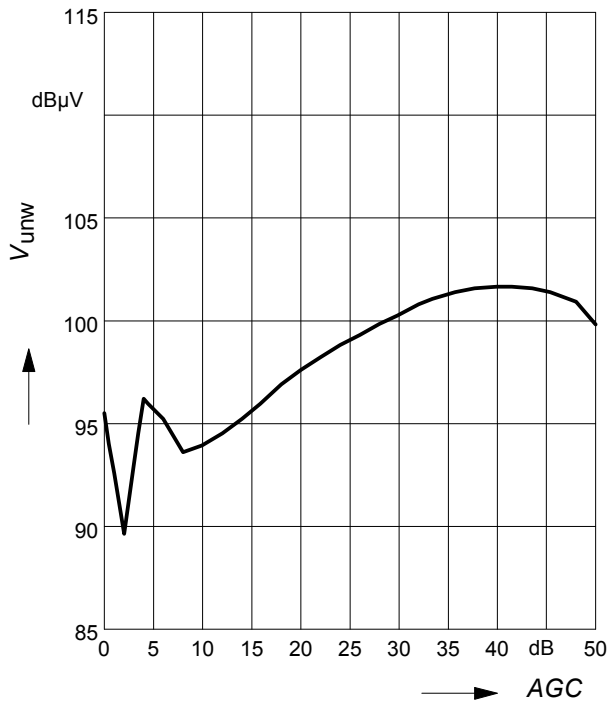
**Power gain  $G_{ps} = f(V_{G2S})$**

$f = 800 \text{ GHz}$

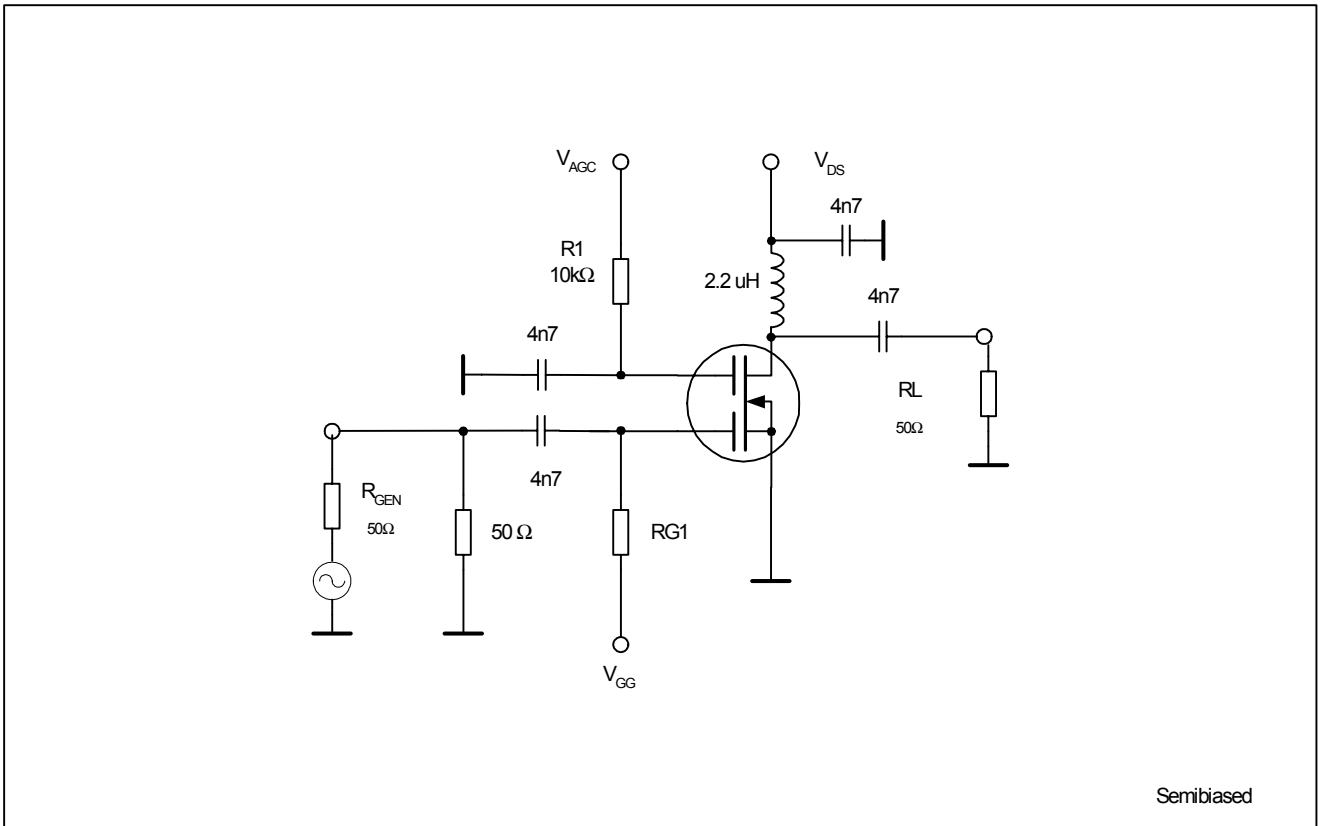


**Crossmodulation  $V_{unw} = (AGC)$**

$V_{DS} = 3\text{ V}$ ,  $R_{g1} = 68\text{ k}\Omega$

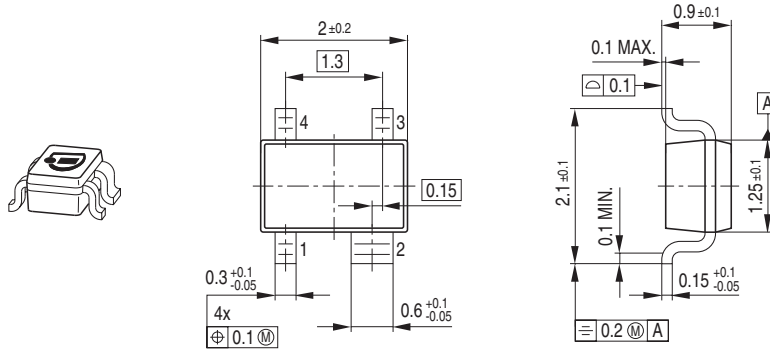


Crossmodulation test circuit

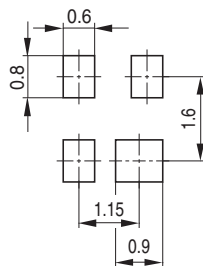




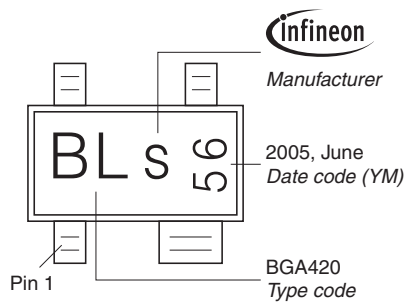
Package Outline



Foot Print

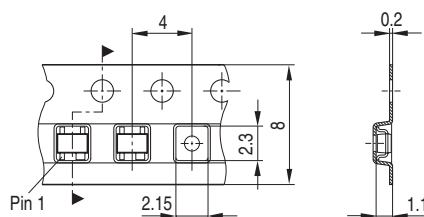


Marking Layout (Example)



Standard Packing

Reel ø180 mm = 3.000 Pieces/Reel  
 Reel ø330 mm = 10.000 Pieces/Reel



Edition 2006-02-01  
Published by  
Infineon Technologies AG  
81726 München, Germany  
© Infineon Technologies AG 2006.  
All Rights Reserved.

### **Attention please!**

The information given in this dokument shall in no event be regarded as a guarantee of conditions or characteristics ("Beschaffheitsgarantie"). With respect to any examples or hints given herein, any typical values stated herein and/or any information regarding the application of the device, Infineon Technologies hereby disclaims any and all warranties and liabilities of any kind, including without limitation warranties of non-infringement of intellectual property rights of any third party.

### **Information**

For further information on technology, delivery terms and conditions and prices please contact your nearest Infineon Technologies Office ([www.infineon.com](http://www.infineon.com)).

### **Warnings**

Due to technical requirements components may contain dangerous substances. For information on the types in question please contact your nearest Infineon Technologies Office.

Infineon Technologies Components may only be used in life-support devices or systems with the express written approval of Infineon Technologies, if a failure of such components can reasonably be expected to cause the failure of that life-support device or system, or to affect the safety or effectiveness of that device or system.

Life support devices or systems are intended to be implanted in the human body, or to support and/or maintain and sustain and/or protect human life. If they fail, it is reasonable to assume that the health of the user or other persons may be endangered.