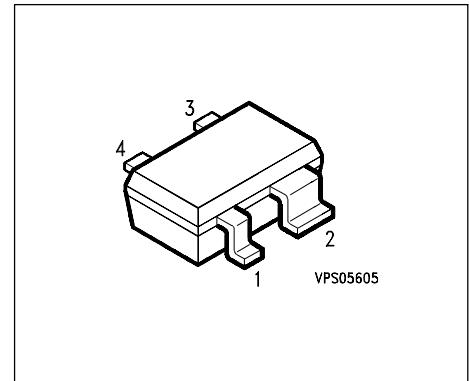


## Silicon N-Channel MOSFET Tetrode

- Short-channel transistor with high S/C quality factor
  - For low noise, gain-controlled input stages up to 1 GHz
- Reverse pinout version of BF998



**ESD: Electrostatic discharge sensitive device, observe handling precaution!**

Type	Marking	Ordering Code	PIN Configuration				Package
BF 998W	MOs	Q62702-F1586	1 = D	2 = S	3 = G <sub>1</sub>	4 = G <sub>2</sub>	SOT-343

all electrical data identical to the corresponding typ without " W "

## Package

