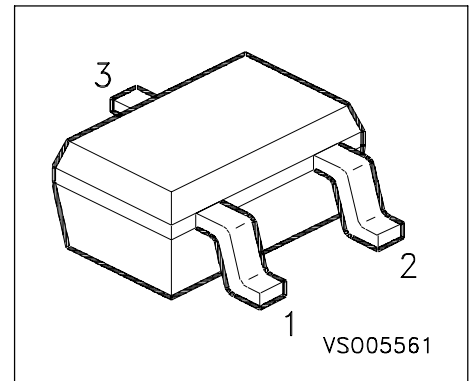


NPN Silicon RF Transistor

- For broadband amplifiers up to 1GHz at collector currents from 1mA to 20mA



Type	Marking	Ordering Code	Pin Configuration			Package
BFS 17W	MCs	Q62702-F1645	1 = B	2 = E	3 = C	SOT-323

Maximum Ratings of any single Transistor

Parameter	Symbol	Values	Unit
Collector-emitter voltage	V_{CEO}	15	V
Collector-base voltage	V_{CBO}	25	
Emitter-base voltage	V_{EBO}	2.5	
Collector current	I_C	25	mA
Peak collector current $f \geq 10$ MHz	I_{CM}	50	
Total power dissipation $T_S \leq 93$ °C	P_{tot}	280	mW
Junction temperature	T_j	150	
Ambient temperature	T_A	- 65 + 150	
Storage temperature	T_{stg}	- 65 ... + 150	

Thermal Resistance

Junction - soldering point ¹⁾	R_{thJS}	≤ 205	K/W
--	------------	------------	-----

1) Package mounted on alumina 15 mm x 16,7 mm x 0,7 mm

Electrical Characteristics at $T_A = 25^\circ\text{C}$, unless otherwise specified.

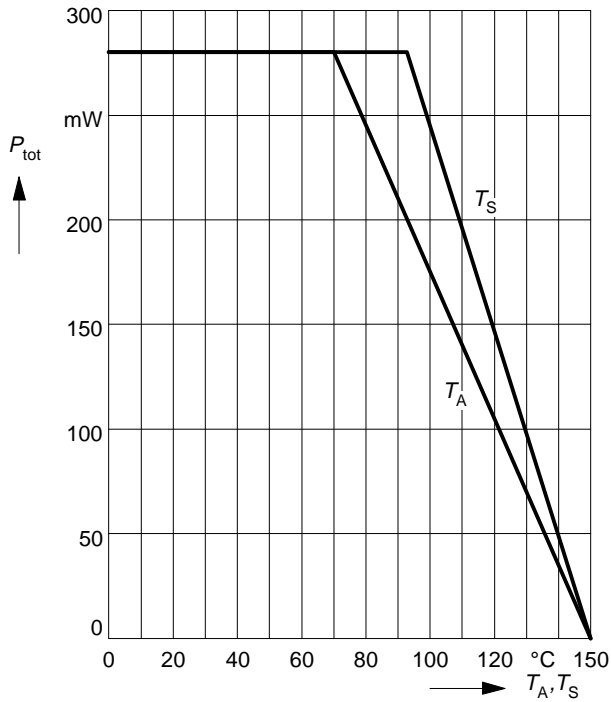
Parameter	Symbol	Values			Unit
		min.	typ.	max.	
DC Characteristics of any single Transistor					
Collector-emitter breakdown voltage $I_C = 1 \text{ mA}, I_B = 0$	$V_{(BR)CEO}$	15	-	-	V
Collector-base cutoff current $V_{CB} = 10 \text{ V}, I_E = 0$ $V_{CB} = 25 \text{ V}, I_E = 0$	I_{CBO}	-	-	0.05 10	μA
Emitter-base cutoff current $V_{EB} = 2.5 \text{ V}, I_C = 0$	I_{EBO}	-	-	100	
DC current gain $I_C = 2 \text{ mA}, V_{CE} = 1 \text{ V}$ $I_C = 25 \text{ mA}, V_{CE} = 1 \text{ V}$	h_{FE}	20 20	- 70	150 -	-
Collector-emitter saturation voltage $I_C = 10 \text{ mA}, I_B = 1 \text{ mA}$	V_{CEsat}	-	0.1	0.4	V

Electrical Characteristics at $T_A = 25^\circ\text{C}$, unless otherwise specified.

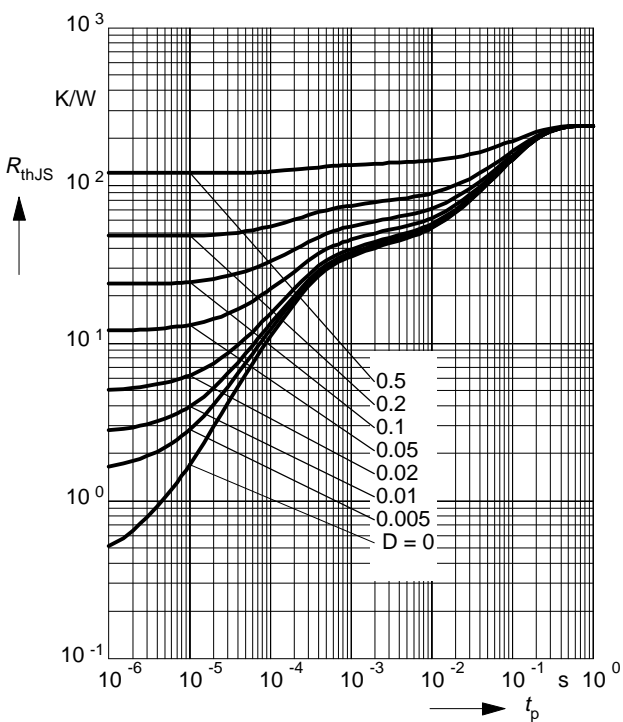
Parameter	Symbol	Values			Unit
		min.	typ.	max.	
AC Characteristics of any single Transistor					
Transition frequency	f_T				GHz
$I_C = 2 \text{ mA}, V_{CE} = 5 \text{ V}, f = 200 \text{ MHz}$		1	1.4	-	
$I_C = 25 \text{ mA}, V_{CE} = 5 \text{ V}, f = 200 \text{ MHz}$		1.3	2.5	-	
Collector-base capacitance	C_{cb}				pF
$V_{CB} = 5 \text{ V}, V_{BE} = v_{be} = 0, f = 1 \text{ MHz}$		-	0.6	0.8	
Collector-emitter capacitance	C_{ce}				
$V_{CE} = 5 \text{ V}, V_{BE} = v_{be} = 0, f = 1 \text{ MHz}$		-	0.26	-	
Input capacitance	C_{ibo}				
$V_{EB} = 0.5 \text{ V}, I_C = 0, f = 1 \text{ MHz}$		-	1.45	-	
Output capacitance	C_{obs}				
$V_{CE} = 5 \text{ V}, V_{BE} = v_{be} = 0, f = 1 \text{ MHz}$		-	-	1.5	
Noise figure	F				dB
$I_C = 2 \text{ mA}, V_{CE} = 5 \text{ V}, f = 800 \text{ MHz}$		-	3.5	5	
$Z_S = 0 \Omega$					
Transducer gain	$ S_{21e} ^2$				
$I_C = 20 \text{ mA}, V_{CE} = 5 \text{ V}, f = 500 \text{ MHz}$		-	12.7	-	
$Z_S = 50 \Omega$					
Linear output voltage	$V_{01}=V_{02}$				mV
$I_C = 14 \text{ mA}, V_{CE} = 5 \text{ V}, d_{im} = 60 \text{ dB}$		-	100	-	
$f_1 = 806 \text{ MHz}, f_2 = 810 \text{ MHz}, Z_S = Z_L = 50 \Omega$					
Third order intercept point	IP_3				dBm
$I_C = 200 \text{ mA}, V_{CE} = 8 \text{ V}, f = 900 \text{ MHz}$		-	23	-	
$Z_S = Z_L = 50 \Omega$					

Total power dissipation $P_{tot} = f(T_A^*, T_S)$

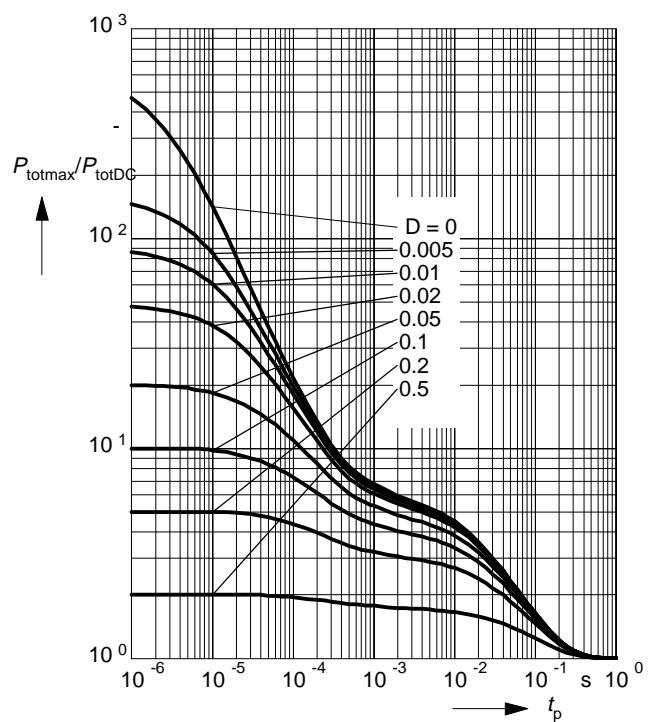
* Package mounted on epoxy



Permissible Pulse Load $R_{thJS} = f(t_p)$

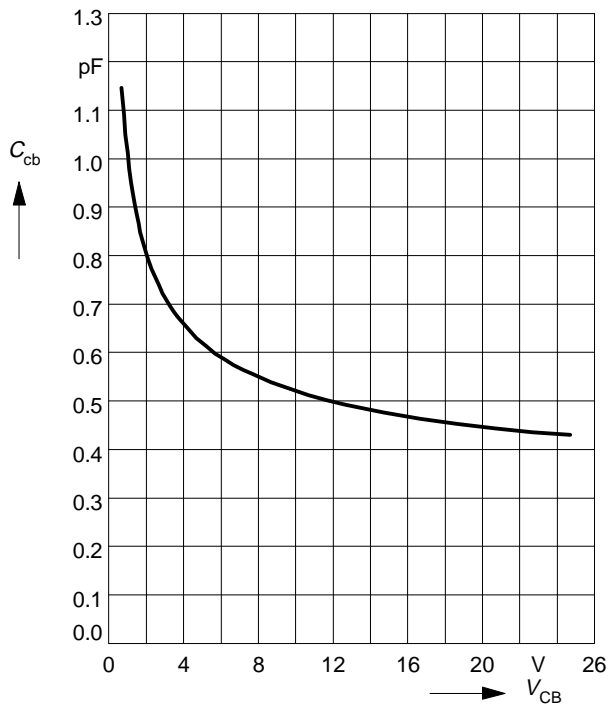


Permissible Pulse Load $P_{totmax}/P_{totDC} = f(t_p)$



Collector-base capacitance $C_{cb} = f(V_{CB})$

$V_{BE} = v_{be} = 0, f = 1\text{MHz}$



Transition frequency $f_T = f(I_C)$

$V_{CE} = \text{Parameter}$

