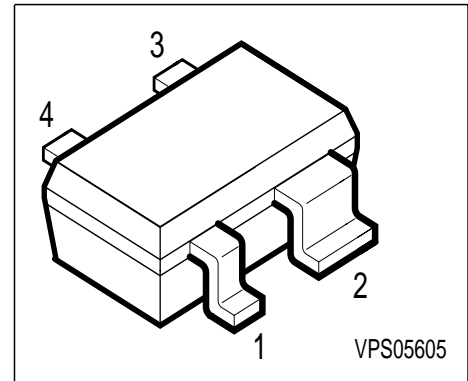


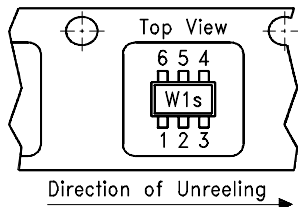
### Si-MMIC-Amplifier in SIEGET® 25-Technologie

#### Preliminary data

- Multifunctional casc. 50 Ω block (LNA / MIX)
- Unconditionally stable
- Gain  $|S_{21}|^2 = 18.5$  dB at 1.8 GHz (appl.1)  
gain  $|S_{21}|^2 = 22$  dB at 1.8 GHz (appl.2)  
 $IP_{3out} = +7$  dBm at 1.8 GHz ( $V_D=3V, I_D=9.5mA$ )
- Noise figure  $NF = 2.2$  dB at 1.8 GHz
- Reverse isolation  $>28$  dB (appl.1)  $>35$  dB (appl.2)
- typical device voltage  $V_D = 2$  V to 5 V



#### Tape loading orientation

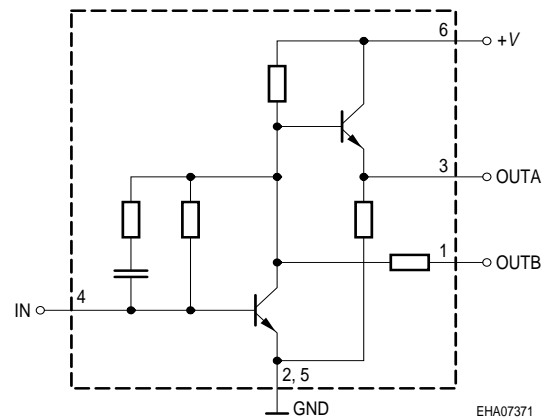


Marking on SOT-363 package (for example W1s) corresponds to pin 1 of device

Position in tape: pin 1 opposite of feed hole side

EHA07193

#### Circuit Diagram



**ESD: Electrostatic discharge sensitive device, observe handling precaution!**

#### PIN Configuration

Type	Marking	Ordering Code	Package	1, Out B	2, GND	3, Out A
BGA 425	BMs	Q62702-G0058	SOT-343	4, IN	5, GND	6, +V

#### Maximum Ratings

Parameter	Symbol	Value	Unit
Device current	$I_D$	25	mA
Device voltage	$V_{D,+V}$	6	V
Total power dissipation, $T_S \leq tbd$ °C	$P_{tot}$	150	mW
$R_F$ input power	$P_{RFIn}$	-10	dBm
Junction temperature	$T_j$	150	°C
Ambient temperature	$T_A$	-65 ...+150	
Storage temperature	$T_{stg}$	-65 ...+150	

#### Thermal Resistance

Junction - soldering point <sup>1)</sup>	$R_{thJS}$	$\leq tbd$	K/W
--	------------	------------	-----

1)  $T_S$  is measured on the ground lead at the soldering point to the pcb

**Electrical Characteristics** at  $T_A = 25\text{ °C}$ , unless otherwise specified.

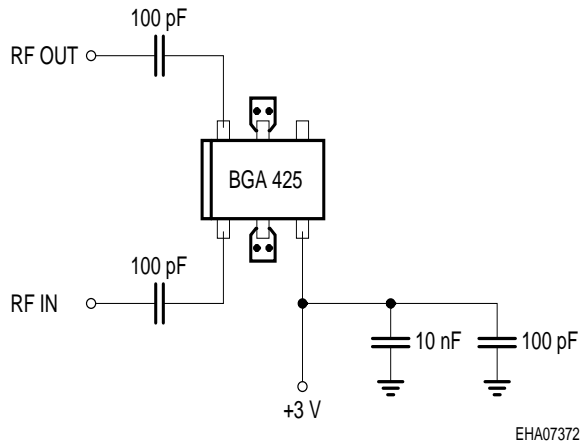
Parameter	Symbol	Values			Unit
		min.	typ.	max.	
<b>AC characteristics</b> $V_D = 3V$ , $Z_0 = 50\Omega$ , Testfixture Appl.1					
Device current	$I_D$	8.5	9.5	10.5	mA
Insertion power gain	$ S_{21} ^2$				dB
$f = 0.1\text{ GHz}$		-	27	-	
$f = 1\text{ GHz}$		-	22	-	
$f = 1.8\text{ GHz}$		-	18.5	-	
Reverse isolation	$S_{12}$	-	28	-	
$f = 1.8\text{ GHz}$					
Noise figure	$NF$				
$f = 0.1\text{ GHz}$		-	1.9	-	
$f = 1\text{ GHz}$		-	2	-	
$f = 1.8\text{ GHz}$		-	2.2	-	
Intercept point at the output	$IP_{3out}$	-	+7	-	dBm
$f = 1.8\text{ GHz}$					
Return loss input	$RL_{in}$	-	>13	-	dB
$f = 1.8\text{ GHz}$					
Return loss output	$RL_{out}$	-	>7	-	
$f = 1.8\text{ GHz}$					

## Typical configuration

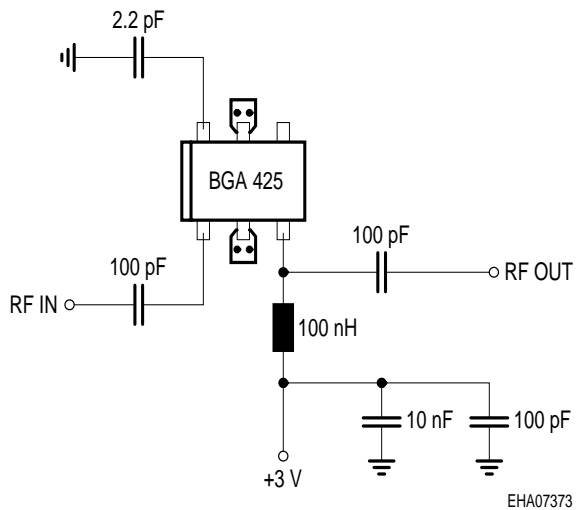
Application 1 - 3 (LNA)

Application 4 (Mix)

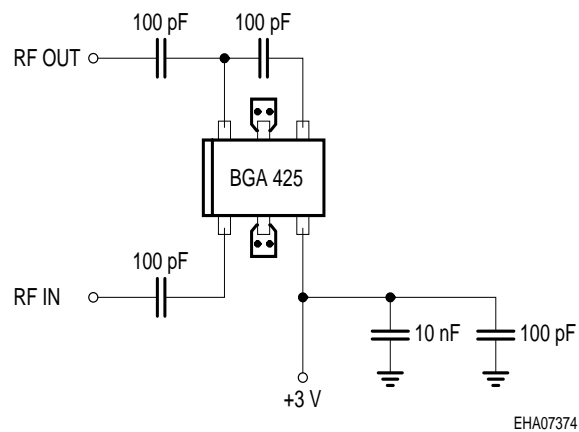
### Appl.1



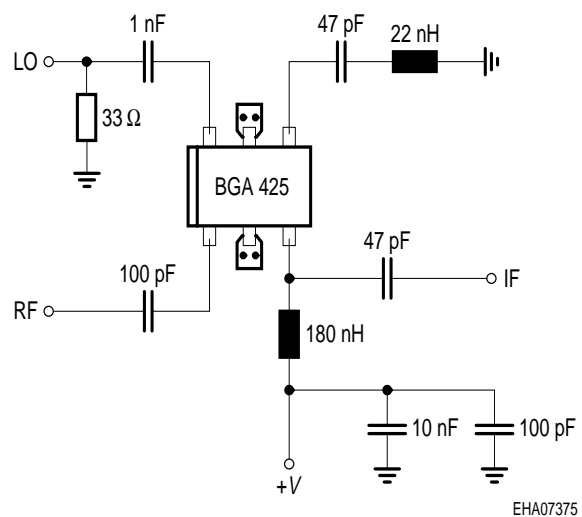
### Appl.2



### Appl.3



### Appl.4



Note: 1) Large-value capacitors should be connected from pin 6 to ground right at the device to provide a low impedance path! (appl. 1)

2) The use of plated through holes right at pin 2 and 5 is essential for pc-board-applications. Thin boards are recommended to minimize the parasitic inductance to ground!

3) For more information please see application note 028 and 030.

**Electrical characteristics** at  $T_A = 25\text{ °C}$ , unless otherwise specified.

$V_D = 3\text{ V}$

Application 1 to 4

Applic.	Insertion Gain $ S_{21} ^2$ (dB)			Noise Figure <i>NF</i> (dB)			Reverse Isol. <i>S12</i> (dB)			Return Loss Input $RL_{in}$ (dB)			Return Loss Output $RL_{out}$ (dB)		
	Frequ. (GHz)			Frequ. (GHz)			Frequ. (GHz)			Frequ. (GHz)			Frequ. (GHz)		
	0.1	1	1.8	0.1	1	1.8	0.1	1	1.8	0.1	1	1.8	0.1	1	1.8
<b>1 (LNA)</b>	27	22	18.5	1.9	2	2.2	46	32	28	19	19	18	10	12	13
<b>2 (LNA)</b>	10	22	22	-	1.9	2.1	35	35	37	13	15	8	5	10	11 *)
<b>3 (LNA)</b>	24	20	16	1.9	2	2.2	34	30	26	8	10	14	15	17	11
<b>4 (MIX)</b>	e.g.: RF = 900 MHz, IF = 100 MHz, $V_D = 3\text{ V}$ Conversion gain: 20 dB Intercept point output: 0 dBm Noise figure: < 5 dB LO-power: +3 dBm														

\*) 2.2 pF by-pass capacitance and 100 nH bias-inductance

For linear simulation please use on-wafer measurement data of our T501 chip and add resistive and capacitive elements, parasitics and package equivalent circuit.

### S-Parameters at $T_A = 25\text{ °C}$ (On-wafer measurement data T501)

f GHz	S <sub>11</sub>		S <sub>21</sub>		S <sub>12</sub>		S <sub>22</sub>	
	MAG	ANG	MAG	ANG	MAG	ANG	MAG	ANG

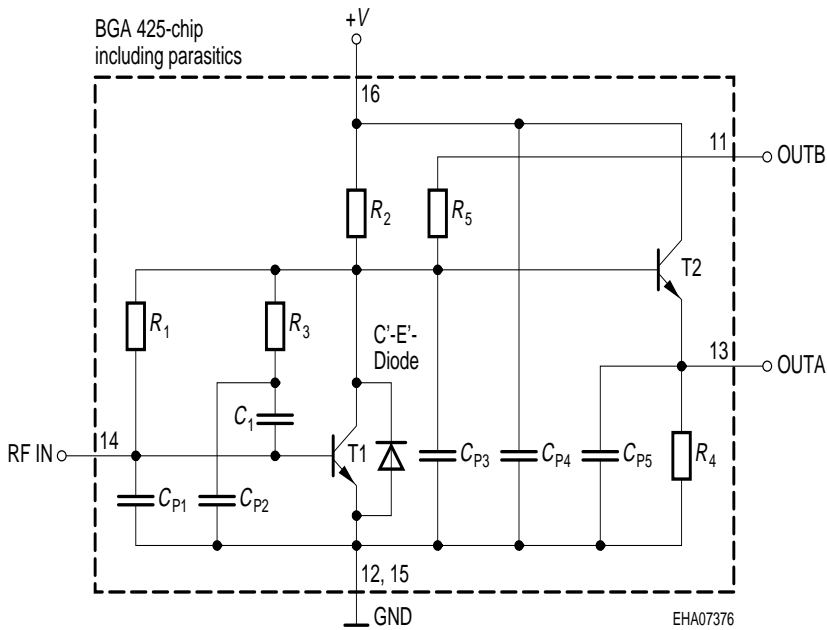
#### T1, $V_{CE} = 1.7\text{ V}$ , $I_C = 4.7\text{ mA}$

0.1	0.7996	-8	11.8466	172.4	0.0111	118	0.9942	0
0.3	0.8223	-15.5	11.9814	169	0.0126	90.9	0.9853	-5.7
0.5	0.8294	-26.3	11.9702	162.6	0.0163	75.9	0.9675	-9.6
0.7	0.8162	-34.4	11.4624	156.8	0.019	72.4	0.9529	-13.5
0.9	0.81	-44.5	11.1452	149.5	0.0208	64.7	0.9286	-17.2
1.1	0.793	-52.8	10.739	144.6	0.0281	62.4	0.9094	-20.4
1.3	0.7884	-61.8	10.3219	138.9	0.0332	58.2	0.8842	-23.5
1.5	0.7651	-69.1	9.7368	134	0.0373	54	0.8523	-25.9
1.7	0.7534	-75.9	9.3137	130.2	0.0383	49.3	0.8221	-28.2
1.9	0.74	-81.8	8.8247	126	0.0404	45.6	0.7939	-30.2
2.1	0.7391	-88.4	8.4426	121.9	0.0417	44.1	0.7721	-32.7
2.3	0.7335	-96	8.089	118	0.0451	41.6	0.7476	-34.5
2.5	0.7186	-98.4	7.6674	115.5	0.0465	40.8	0.7339	-35.7
2.7	0.7193	-103.1	7.3034	113.2	0.049	40	0.716	-37.3
2.9	0.702	-108	6.7988	109.9	0.0492	37	0.6885	-38.6
3.1	0.6897	-112.6	6.4921	107.4	0.0501	36.7	0.6743	-39.7

#### T2, $V_{CE} = 2.2\text{ V}$ , $I_C = 4.7\text{ mA}$

0.1	0.8144	-8.3	11.9941	172.1	0.0154	129.2	0.985	-0.5
0.3	0.8094	-15.3	12.1389	169	0.01	80.7	0.9906	-5.6
0.5	0.8251	-25.8	12.1376	162.7	0.0129	76.3	0.9728	-0.1
0.7	0.8171	-34.4	11.6229	157	0.0183	70.8	0.9557	-12.7
0.9	0.7957	-44.9	11.3048	149.7	0.0227	70.7	0.9375	-16
1.1	0.7952	-52.5	10.8874	144.8	0.0261	64.2	0.9147	-19
1.3	0.7953	-61.9	10.4735	139.2	0.0307	60.7	0.8916	-22.4
1.5	0.767	-68.6	9.8866	134.3	0.0325	54	0.8595	-24.5
1.7	0.7618	-75.5	9.4501	130.5	0.0361	48	0.8322	-26.6
1.9	0.7384	-81.3	8.9757	126.3	0.0374	49.2	0.8019	-28.6
2.1	0.739	-88.7	8.5788	122.1	0.04	44.3	0.7857	-30.9
2.3	0.7285	-95.8	8.2231	118.2	0.0416	39.7	0.7625	-32.9
2.5	0.718	-97.9	7.7991	115.5	0.0463	40.4	0.7467	-33.7
2.7	0.7294	-102.9	7.429	113.4	0.043	38.8	0.7273	-35.8
2.9	0.6955	-107.8	6.9444	110	0.0468	35.7	0.7077	-36.7
3.1	0.6868	-111.9	6.6064	107.6	0.0481	34.2	0.689	-37.6

### Spice model



T1	T501
T2	T501
R <sub>1</sub>	14.5kΩ
R <sub>2</sub>	280Ω
R <sub>3</sub>	2.4kΩ
R <sub>4</sub>	170Ω
R <sub>5</sub>	22Ω
R <sub>P1</sub>	1kΩ
C <sub>1</sub>	2.3pF
C <sub>P1</sub>	0.2pF
C <sub>P2</sub>	0.2pF
C <sub>P3</sub>	0.6pF
C <sub>P4</sub>	0.1pF
C <sub>P5</sub>	0.1pF
C'-E'-diode	T1

### Transistor Chip Data T1 (Berkley-SPICE 2G.6 Syntax) :

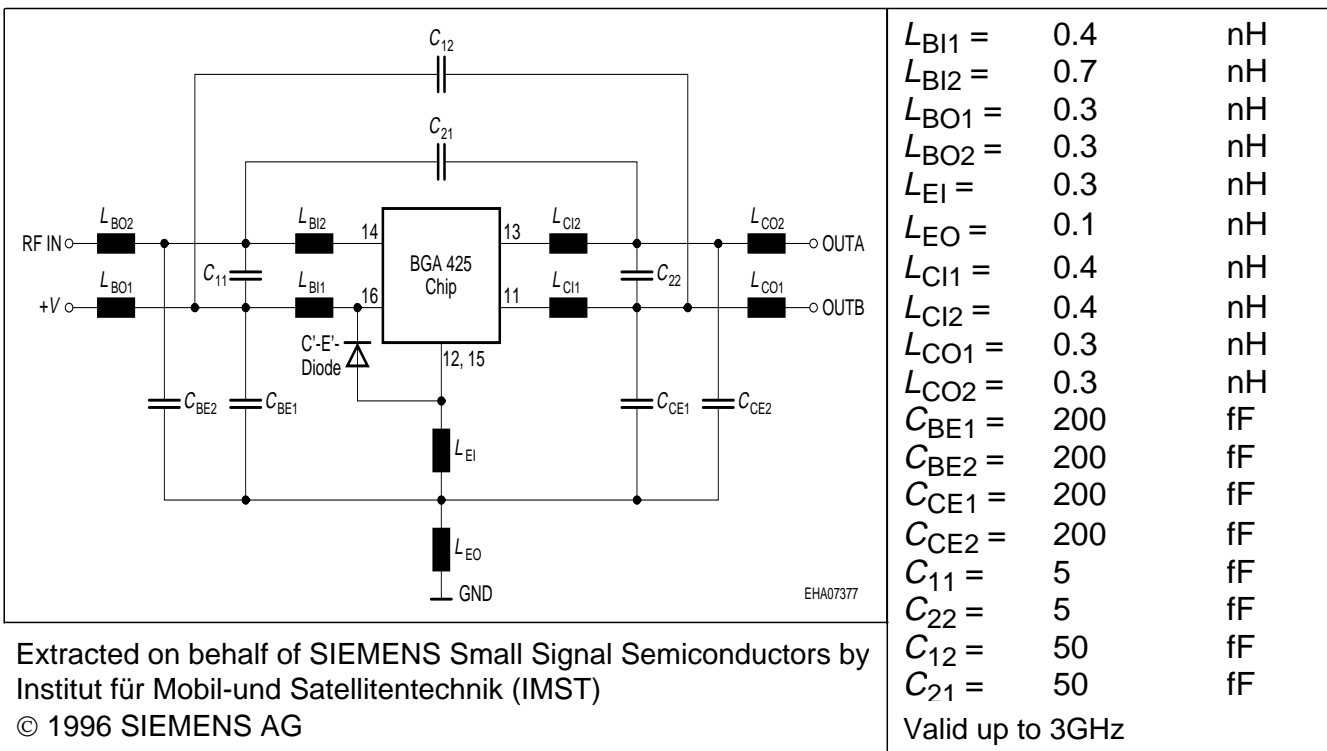
IS =	0.21024	aA	BF =	83.23	-	NF =	1.0405	-
VAF =	39.251	V	IKF =	0.16493	A	ISE =	15.761	fA
NE =	1.7763	-	BR =	10.526	-	NR =	0.96647	-
VAR =	34.368	V	IKR =	0.25052	A	ISC =	0.037223	fA
NC =	1.3152	-	RB =	15	$\Omega$	IRB =	0.21215	mA
RBM =	1.3491	$\Omega$	RE =	1.9289		RC =	0.12691	$\Omega$
CJE =	3.7265	fF	VJE =	0.70367	V	MJE =	0.37747	-
TF =	4.5899	ps	XTF =	0.3641	-	VTF =	0.19762	V
ITF =	1.3364	mA	PTF =	0	deg	CJC =	96.941	fF
VJC =	0.99532	V	MJC =	0.48652	-	XCJC =	0.08161	-
TR =	1.4935	ns	CJS =	0	fF	VJS =	0.75	V
MJS =	0	-	XTB =	0	-	EG =	1.11	eV
XTI =	3	-	FC =	0.99469	-	TNOM	300	K

### C'-E'-Diode Data (Berkley-SPICE 2G.6 Syntax) :

IS =	2	fA	N =	1.02	-	RS =	20	$\Omega$
------	---	----	-----	------	---	------	----	----------

All parameters are ready to use, no scaling is necessary

### Package Equivalent Circuit:



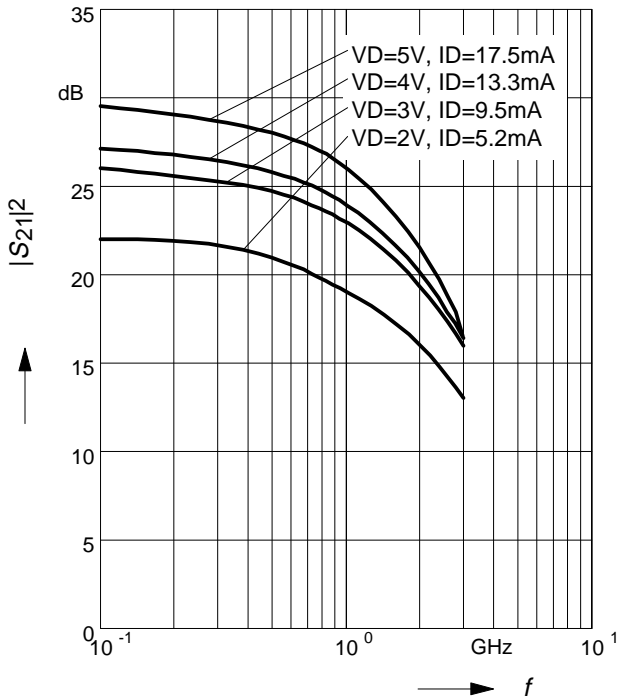
Extracted on behalf of SIEMENS Small Signal Semiconductors by Institut für Mobil-und Satellitentechnik (IMST)

© 1996 SIEMENS AG

For examples and ready to use parameters please contact your local Siemens distributor or salesoffice to obtain a Siemens CD-ROM or see Internet: <http://www.siemens.de/Semiconductor/products/35/35.htm>

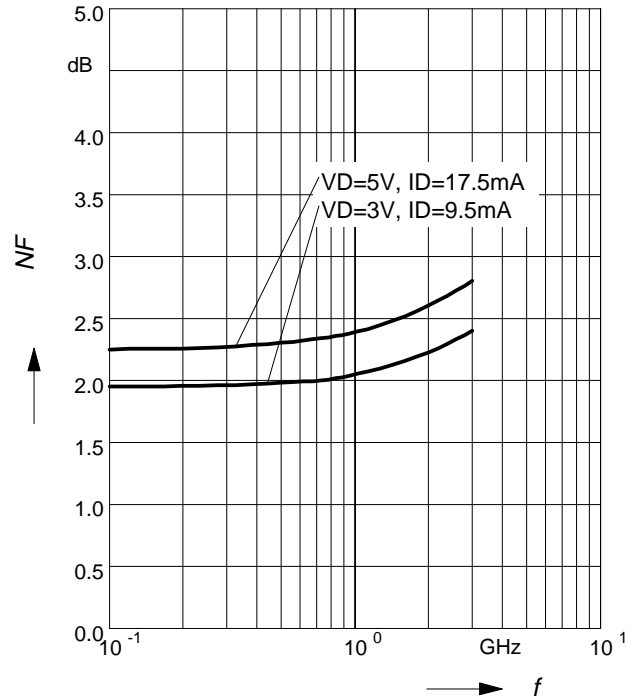
### Insertion power gain $|S_{21}|^2 = f(f)$

$V_D, I_D = \text{parameter}$



### Noise figure $NF = f(f)$

$V_D, I_D = \text{parameter}$



### Intercept point at the output

$IP_{3out} = f(f)$

$V_D, I_D = \text{parameter}$

