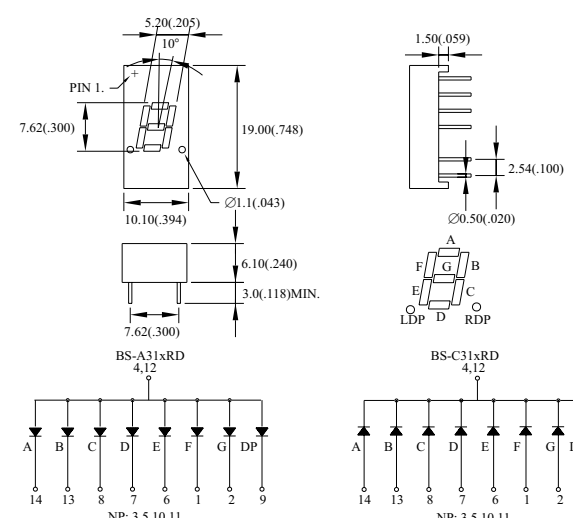
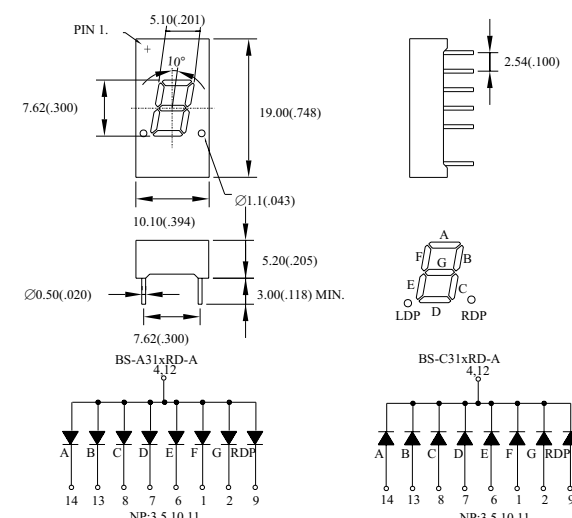
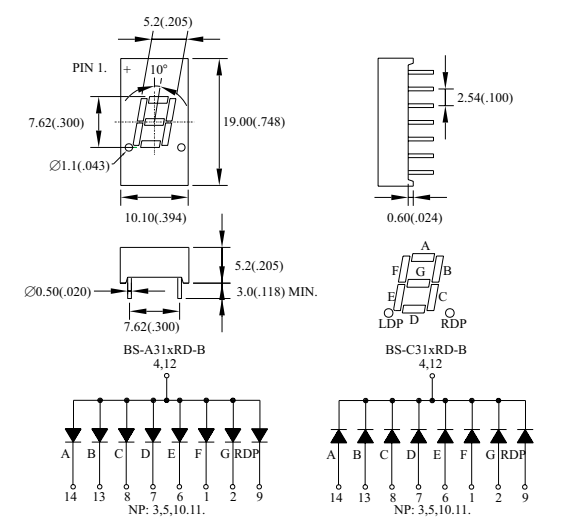
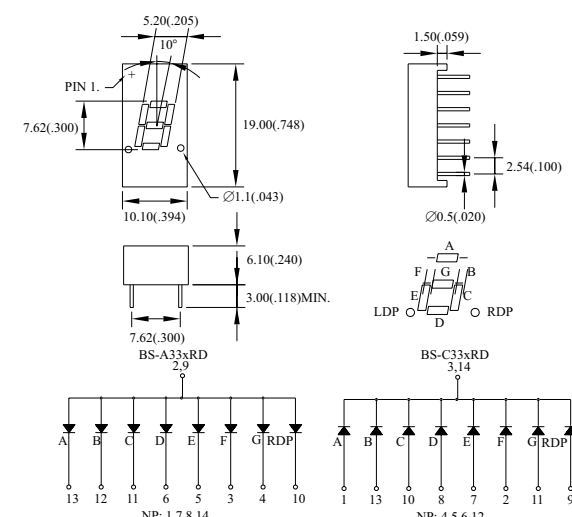
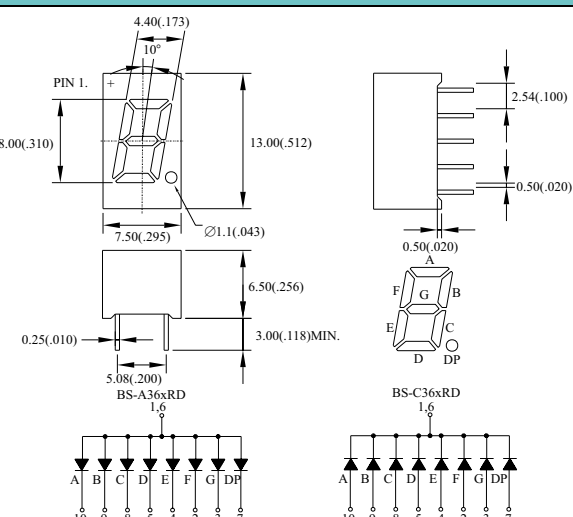
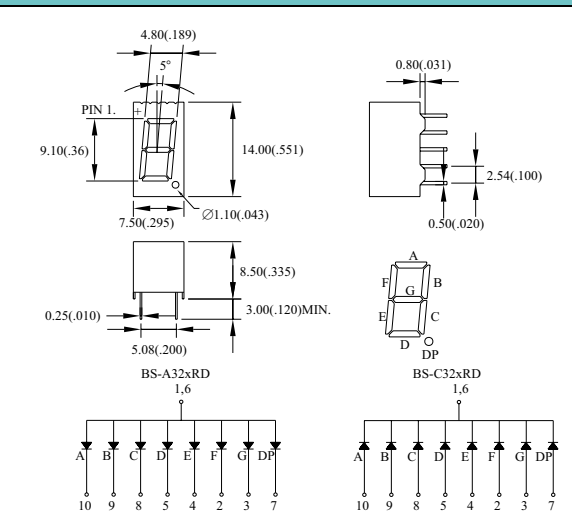




SINGLE DIGIT LED DISPLAYS

Digit Size	Part No.		Chip		Absolute Maximum Ratings				Electro-optical Data(At 10mA)			Drawing No.
	Common Anode	Common Cathode	Material/Emitted Color	Peak Wave Length λ_p (nm)	$\Delta \lambda$ (nm)	Pd (mw)	If (mA)	Ifp (mA)	Vf (v)		Iv. Typ. Per.Seg. (mcd)	
									Typ.	Max.		
0.30" Single-Digit	BS-A311RD	BS-C311RD	GaAsP/Red	655	40	80	40	200	1.7	2.0	0.6	SD-07
	BS-A315RD	BS-C315RD	GaP/ Bright Red	700	90	40	15	50	2.2	2.5	1.2	
	BS-A315RE	BS-C315RE		GaP/ Green	568	30	80	30	150	2.2	2.5	
	BS-A312RD	BS-C312RD	GaAsP/GaP/ Yellow		585	35	80	30	150	2.1	2.5	
	BS-A313RD	BS-C313RD		GaAsP/GaP/ Hi-Eff.Red GaAsP/GaP/ Orange	635	45	80	30	150	2.0	2.5	
	BS-A314RD	BS-C314RD	GaAlAs/ SH Super Red		660	20	80	30	150	1.7	2.5	
	BS-A316RD	BS-C316RD		GaAlAs/ DH Super Red	660	20	80	30	150	1.7	2.5	
	BS-A31DRD	BS-C31DRD	SD-08									
	BS-A311RD-A	BS-C311RD-A		GaAsP/Red	655	40	80	40	200	1.7	2.0	0.6
	BS-A315RD-A	BS-C315RD-A		GaP/ Bright Red	700	90	40	15	50	2.2	2.5	1.2
	BS-A315RE-A	BS-C315RE-A			GaP/ Green	568	30	80	30	150	2.2	2.5
	BS-A312RD-A	BS-C312RD-A		GaAsP/GaP/ Yellow		585	35	80	30	150	2.1	2.5
	BS-A313RD-A	BS-C313RD-A			GaAsP/GaP/ Hi-Eff.Red GaAsP/GaP/ Orange	635	45	80	30	150	2.0	2.5
	BS-A314RD-A	BS-C314RD-A		GaAlAs/ SH Super Red		660	20	80	30	150	1.7	2.5
	BS-A316RD-A	BS-C316RD-A			GaAlAs/ DH Super Red	660	20	80	30	150	1.7	2.5
	BS-A31DRD-A	BS-C31DRD-A	SD-09									
	BS-A311RD-B	BS-C311RD-B		GaAsP/Red	655	40	80	40	200	1.7	2.0	0.6
	BS-A315RD-B	BS-C315RD-B		GaP/ Bright Red	700	90	40	15	50	2.2	2.5	1.2
	BS-A315RE-B	BS-C315RE-B			GaP/ Green	568	30	80	30	150	2.2	2.5
	BS-A312RD-B	BS-C312RD-B		GaAsP/GaP/ Yellow		585	35	80	30	150	2.1	2.5
	BS-A313RD-B	BS-C313RD-B			GaAsP/GaP/ Hi-Eff.Red GaAsP/GaP/ Orange	635	45	80	30	150	2.0	2.5
	BS-A314RD-B	BS-C314RD-B		GaAlAs/ SH Super Red		660	20	60	30	150	1.7	2.5
	BS-A316RD-B	BS-C316RD-B			GaAlAs/ DH Super Red	660	20	60	30	150	1.7	2.5
	BS-A31DRD-B	BS-C31DRD-B	SD-10									
	BS-A331RD	BS-C331RD		GaAsP/Red	655	40	80	40	200	1.7	2.0	0.6
	BS-A335RD	BS-C335RD		GaP/ Bright Red	700	90	40	15	50	2.2	2.5	1.2
	BS-A335RE	BS-C335RE			GaP/ Green	568	30	80	30	150	2.2	2.5
	BS-A332RD	BS-C332RD		GaAsP/GaP/ Yellow		585	35	80	30	150	2.1	2.5
BS-A333RD	BS-C333RD	GaAsP/GaP/ Hi-Eff.Red GaAsP/GaP/ Orange			635	45	80	30	150	2.0	2.5	3.0
BS-A334RD	BS-C334RD			GaAlAs/ SH Super Red	660	20	80	30	150	1.7	2.5	6.0
BS-A336RD	BS-C336RD	GaAlAs/ DH Super Red			660	20	80	30	150	1.7	2.5	7.0
BS-A33DRD	BS-C33DRD		SD-11									
BS-A361RD	BS-C361RD	GaAsP/Red		655	40	80	40	200	1.7	2.0	0.6	
BS-A365RD	BS-C365RD	GaP/ Bright Red		700	90	40	15	50	2.2	2.5	1.2	
BS-A365RE	BS-C365RE			GaP/ Green	568	30	80	30	150	2.2	2.5	3.0
BS-A362RD	BS-C362RD	GaAsP/GaP/ Yellow			585	35	80	30	150	2.1	2.5	2.0
BS-A363RD	BS-C363RD			GaAsP/GaP/ Hi-Eff.Red GaAsP/GaP/ Orange	635	45	100	30	150	2.0	2.5	3.0
BS-A364RD	BS-C364RD	GaAlAs/ SH Super Red			660	20	80	30	150	1.7	2.5	6.0
BS-A366RD	BS-C366RD			GaAlAs/ DH Super Red	660	20	80	30	150	1.7	2.5	7.0
BS-A36DRD	BS-C36DRD	SD-12										
BS-A321RD	BS-C321RD		GaAsP/Red	655	40	80	40	200	1.7	2.0	0.6	
BS-A325RD	BS-C325RD		GaP/ Bright Red	700	90	40	15	50	2.2	2.5	1.2	
BS-A325RE	BS-C325RE			GaP/ Green	568	30	80	30	150	2.2	2.5	3.0
BS-A322RD	BS-C322RD		GaAsP/GaP/ Yellow		585	35	80	30	150	2.1	2.5	2.0
BS-A323RD	BS-C323RD			GaAsP/GaP/ Hi-Eff.Red GaAsP/GaP/ Orange	635	45	80	30	150	2.0	2.5	3.0
BS-A324RD	BS-C324RD		GaAlAs/ SH Super Red		660	20	80	30	150	1.7	2.5	6.0
BS-A36RD	BS-C326RD			GaAlAs/ DH Super Red	660	20	80	30	150	1.7	2.5	7.0
BS-A32DRD	BS-C32DRD											

SINGLE DIGIT LED DISPLAYS

SD-07 BS-A _C 31xRD	SD-08 BS-A _C 31xRD-A
 <p>Dimensions: 5.20(.205), 10°, PIN 1., 7.62(.300), 19.00(.748), 10.10(.394), Ø1.1(.043), 6.10(.240), 3.0(.118)MIN., 7.62(.300).</p> <p>Pinout: A, B, C, D, E, F, G, DP. NP: 3,5,10,11.</p>	 <p>Dimensions: 5.10(.201), 10°, PIN 1., 7.62(.300), 19.00(.748), 10.10(.394), Ø1.1(.043), 5.20(.205), 3.00(.118)MIN., 7.62(.300), Ø0.50(.020).</p> <p>Pinout: A, B, C, D, E, F, G, RDP. NP: 3,5,10,11.</p>
SD-09 BS-A _C 31xRD-B	SD-10 BS-A _C 33xRD
 <p>Dimensions: 5.2(.205), 10°, PIN 1., 7.62(.300), 19.00(.748), 10.10(.394), Ø1.1(.043), 5.2(.205), 3.0(.118)MIN., 7.62(.300), Ø0.50(.020).</p> <p>Pinout: A, B, C, D, E, F, G, RDP. NP: 3,5,10,11.</p>	 <p>Dimensions: 5.20(.205), 10°, PIN 1., 7.62(.300), 19.00(.748), 10.10(.394), Ø1.1(.043), 1.50(.059), 2.54(.100), 0.60(.024), 5.20(.205), 3.00(.118)MIN., 7.62(.300), Ø0.5(.020).</p> <p>Pinout: A, B, C, D, E, F, G, RDP. NP: 1,7,8,14.</p>
SD-11 BS-A _C 36xRD	SD-12 BS-A _C 32xRD
 <p>Dimensions: 4.40(.173), 10°, PIN 1., 8.00(.310), 13.00(.512), 7.50(.295), Ø1.1(.043), 0.50(.020), 2.54(.100), 0.25(.010), 6.50(.256), 3.00(.118)MIN., 5.08(.200).</p> <p>Pinout: A, B, C, D, E, F, G, DP. NP: 1,6.</p>	 <p>Dimensions: 4.80(.189), 5°, PIN 1., 9.10(.36), 14.00(.551), 7.50(.295), Ø1.10(.043), 0.80(.031), 2.54(.100), 0.50(.020), 8.50(.335), 3.00(.120)MIN., 5.08(.200).</p> <p>Pinout: A, B, C, D, E, F, G, DP. NP: 1,6.</p>

NOTES: 1.All Dimensions are in millimeters(inches).
 2.Tolerance is ± 0.25mm(.010").
 3.Specifications are subject to change without notice.
 4.NP:No Pin. 5.NC:No Connect.