

APPLICATIONS:

- Satellite receiver
- Data receiver
- Wide-band front end

BSFC-Series Single Conversion IF Output Satellite Tuner

NEW HIGH PERFORMANCE TUNERS WITH VERSATILITY FOR HANDLING ANALOG OR DIGITAL VIDEO.

FEATURES

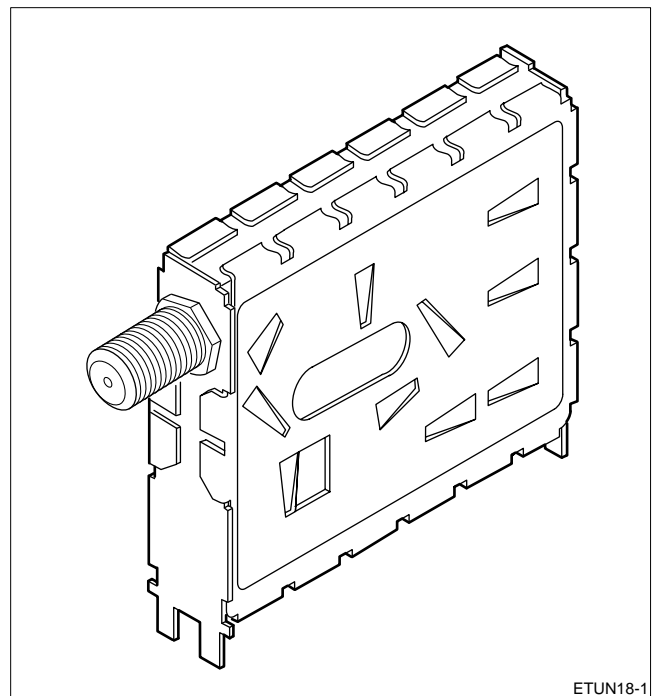
- First LO PLL tuning
- Low noise figure, 9 db typical (model dependent)
- 50 db typical AGC range
- RF and IF AGC provided in all models
- Conversion gain range from 20 db to 70 db, typical
- Low phase noise
- Input and output impedance: 75 Ω
- Maximum input level: -20 dBm

New BSFC-Series tuners use SHARP's latest technology to provide reception of either modulated analog or digital data streams. Four different tuner models with varying performance characteristics can be used as receivers for analog or digital video, and for data streams.

Each tuner's local oscillator is phase-lock loop-tuned using a 3-wire serial bus. The conversion intermediate frequency is filtered and provided on a pin at 479.5 MHz. In addition, IF ACG control is provided.

Both horizontal and vertical (pictured) package styles are available, along with a wide variety of SAW filters. Dual input versions may be available upon request. Filter configurations not shown in the model selection guide on back may also be available upon request.

STANDARD BSFC VERTICAL PACKAGE



ETUN18-1

PRODUCT INFORMATION

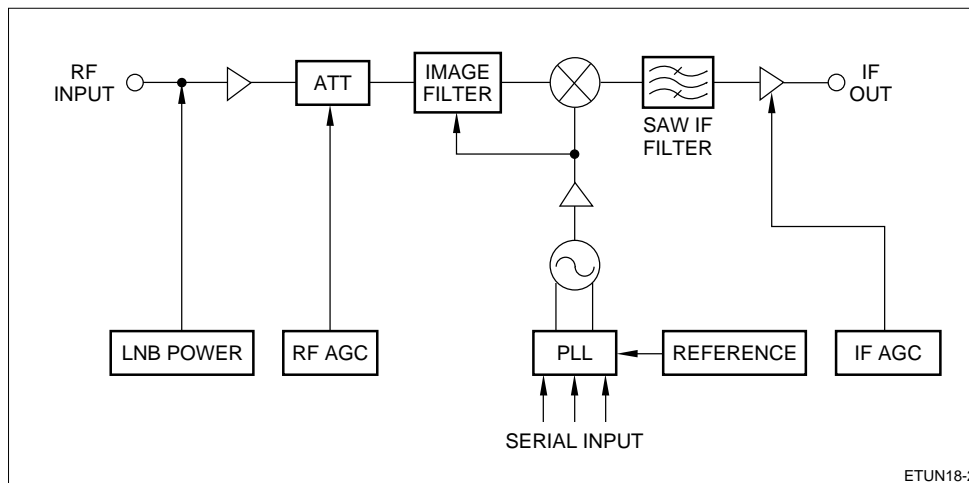
SHARP

MODEL SELECTION GUIDE

MODEL	INPUT FREQUENCY, MHz	BANDPASS FILTER, MHz	PACKAGE STYLE	POWER SUPPLY VOLTAGES
BSFC77GV6	950 - 2050	55	Vertical	5, 28
BSFC77GV8	950 - 2050	55	Horizontal	5, 28
BSFC78GW4	950 - 2150	27/36	Horizontal	5, 28
BSFC78GW6	950 - 2150	55	Horizontal	5, 28

Windows software for tuning the PLLs in the above listed models in a laboratory or test environment is available upon request.

BASIC BLOCK DIAGRAM



Sharp Electronics Corporation Regional Sales Offices

North American Headquarters

Camas, WA
Ph (360) 834-2500
Fax (360) 834-8903

West

Irvine, CA
Ph (714) 250-0225
Fax (714) 250-0438
San Jose, CA
Ph (408) 436-4900
Fax (408) 436-0924

Central

Romeoville, IL
Ph (708) 226-2400
Fax (708) 759-8572
Auburn Hills, MI
Ph (810) 377-9220
Fax (810) 377-9222

Austin, TX
Ph (512) 349-7262
Fax (512) 349-7002
DFW Airport, TX
Ph (214) 574-5205
Fax (214) 456-0360
Houston, TX
Ph (713) 955-9909
Fax (713) 955-9910

East

Burlington, MA
Ph (617) 270-7979
Fax (617) 229-9117
Annadale, NJ
Ph (908) 713-0505
Fax (908) 713-0566
Durham, NC
Ph (919) 941-0065
Fax (919) 941-0066

Distributors

Future Electronics

Canada
Ph (514) 694-7710
Fax (514) 695-3707

Marshall Industries

El Monte, CA
Ph (800) 522-0084
Fax (818) 307-6173
URL <http://www.marshall.com>

Milgray

Farmindale, NY
Ph (800) MILGRAY (645-4729)
Fax (516) 293-6465

Reptron

Tampa, FL
Ph (800) 659-1361
Fax (813) 854-2351

Sterling Electronics Corp.

Houston, TX
Ph (800) 745-5500
Fax (713) 629-3939

FastFax Service: 1-800-833-9437

Product Information: 1-800-642-0261

World Wide Web Site: <http://www.sharpmeg.com>

SHARP
FROM SHARP MINDS
COME SHARP PRODUCTS™