



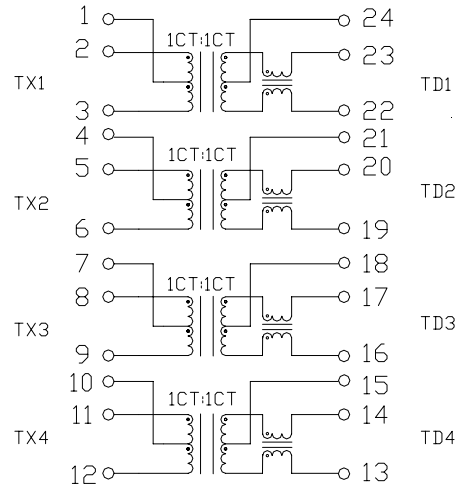
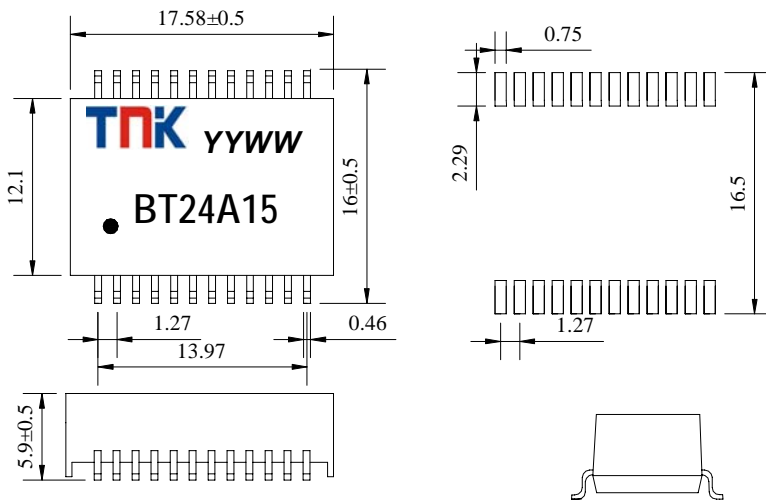
- ✚ Designed to meet IEEE802.3u requirement
- ✚ Designed to meet IR 255°C peak requirement
- ✚ Primary inductance 350uH min with 8mA DC Bias
- ✚ RoHS Compliant
- ✚ Operating temperature range:0°C to +70°C
- ✚ Storage temperature range:-25°C to +125°C

## Electrical Specifications @ 25°C

Part Number	Turn Ratio		Insertion Loss 0.5~100MHz (dB Max)	Return Loss (dB Min)			Cross Talk (dB Min)		CMRR (dB Min) 0.50-100 MHz	CWW (pF Max)	LK (uH Max)	DCR (Ω Max)	Hi-Pot (Vrms)
	Tx	Rx		0.5-30 MHz	30.1-60 MHz	60.1-80 MHz	0.5-40 MHz	40.1-100 MHz					
BT24A15	1:1	1:1	-1.0	-16	-14	-12	-35	-30	-30	28	0.5	1.2	1500

## Mechanical

## Schematics



Dimension:mm

Unless otherwise specified,tolerances:±0.25(mm)

Data sheet subject to change without notice