

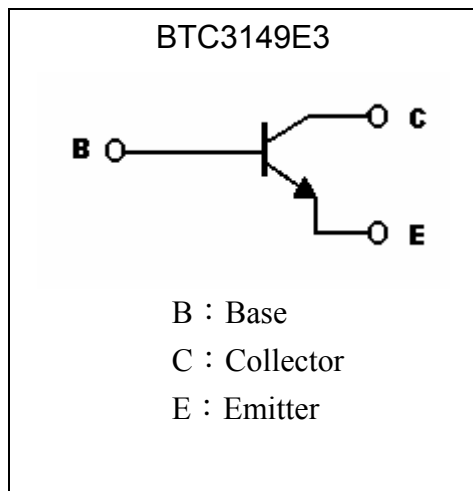
High Voltage NPN Triple Diffused Planar Transistor

BTC3149E3

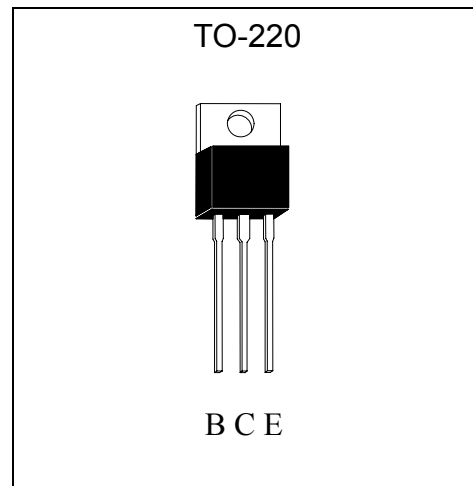
Features

- High voltage, $BV_{CBO}=1600V$ min., $BV_{CEO}=800V$ min.
- Pb-free lead plating package

Symbol



Outline



Absolute Maximum Ratings (Ta=25°C)

Parameter	Symbol	Limit	Unit
Collector-Base Voltage	V_{CBO}	1600	V
Collector-Emitter Voltage	V_{CEO}	800	V
Emitter-Base Voltage	V_{EBO}	6	V
Collector Current	$I_C(DC)$	1.2	A
	$I_C(Pulse)$	3 *1	A
Power Dissipation	$P_d(T_a=25^\circ C)$	2	W
	$P_d(T_c=25^\circ C)$	40	
Operating Junction and Storage Temperature Range	$T_j ; T_{stg}$	-55~+150	°C

Note : *1. Single Pulse $P_w \leq 300\mu s, Duty \leq 2\%$.

**Characteristics (Ta=25°C)**

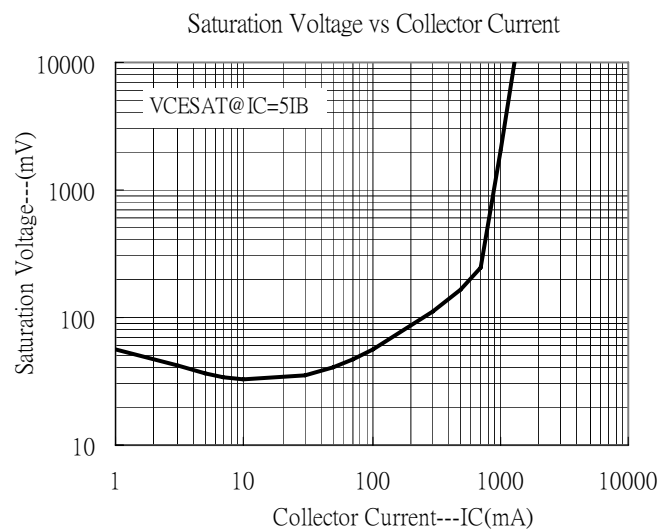
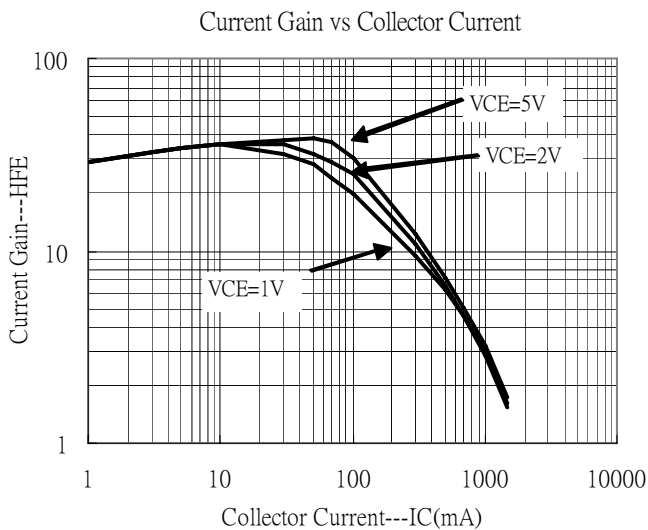
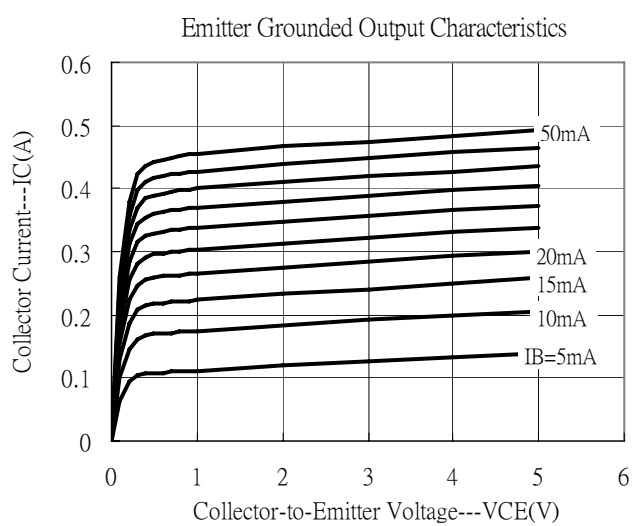
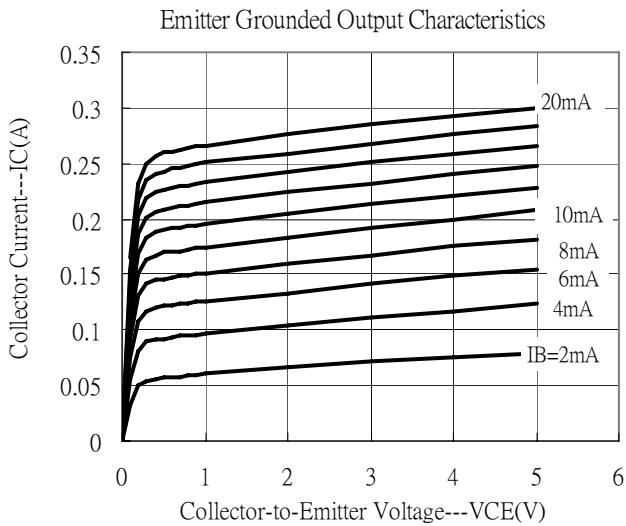
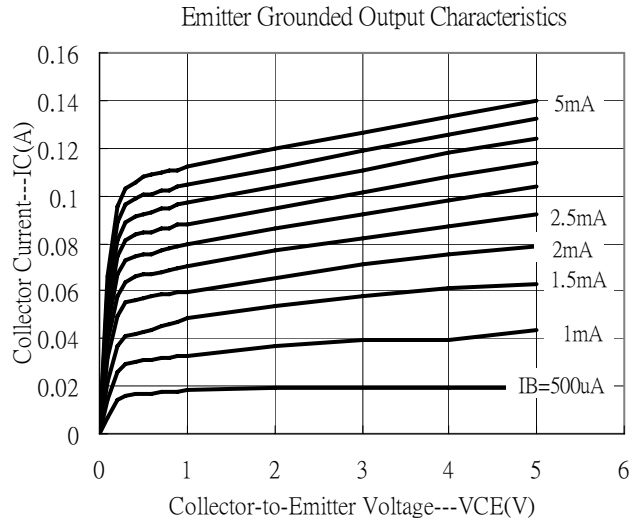
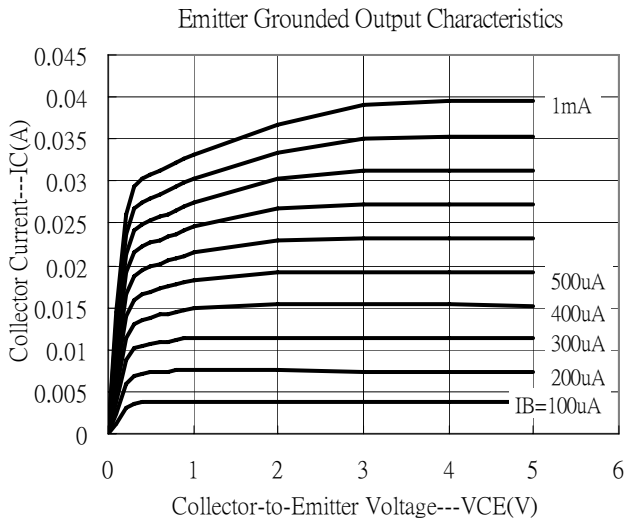
Symbol	Min.	Typ.	Max.	Unit	Test Conditions
BV _{CB0}	1600	-	-	V	I _C =100μA, I _E =0
BV _{CE0}	800	-	-	V	I _C =1mA, I _B =0
BV _{EB0}	6	-	-	V	I _E =100μA, I _C =0
I _{CB0}	-	-	10	μA	V _{CB} =1600V, I _E =0
I _{CE0}	-	-	10	μA	V _{CB} =800V, I _B =0
I _{EB0}	-	-	100	nA	V _{EB} =6V, I _C =0
*V _{CE(sat)}	-	-	0.2	V	I _C =200mA, I _B =40mA
*V _{CE(sat)}	-	-	0.35	V	I _C =500mA, I _B =100mA
*V _{BE(sat)}	-	-	1.2	V	I _C =500mA, I _B =100mA
*h _{FE1}	20	-	-	-	V _{CE} =5V, I _C =10mA
*h _{FE2}	24	-	35	-	V _{CE} =5V, I _C =100mA
*h _{FE3}	5	-	-	-	V _{CE} =5V, I _C =500mA
Cob	-	10	-	pF	V _{CB} =10V, f=1MHz
tr	-	-	0.8	μs	V _{CC} =400V, I _C =0.5A, I _{B1} =0.1A I _{B2} =-0.2A
tstg	-	-	3		
tf	-	-	0.4		

*Pulse Test : Pulse Width ≤300μs, Duty Cycle ≤2%

Ordering Information

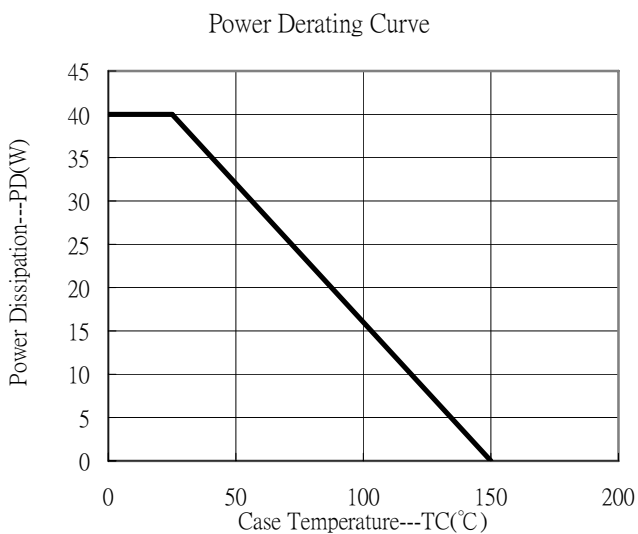
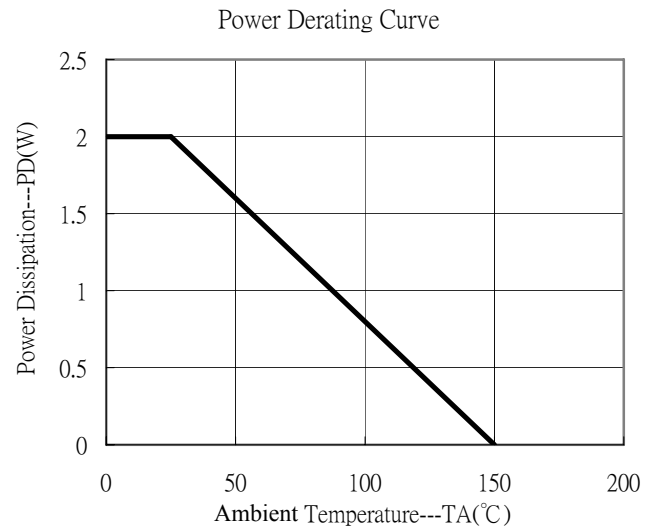
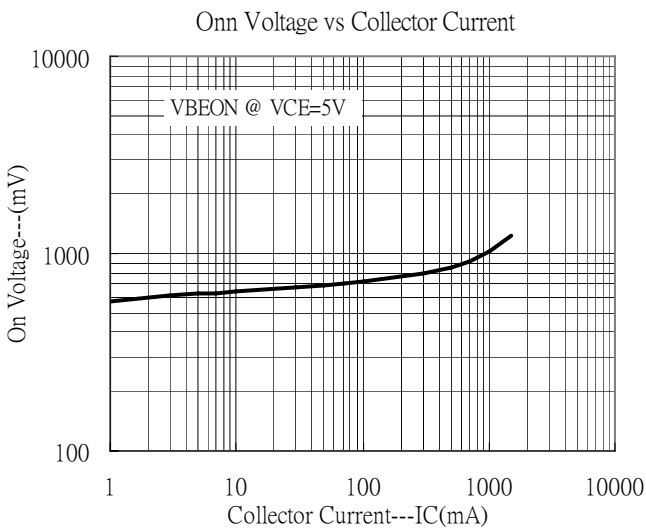
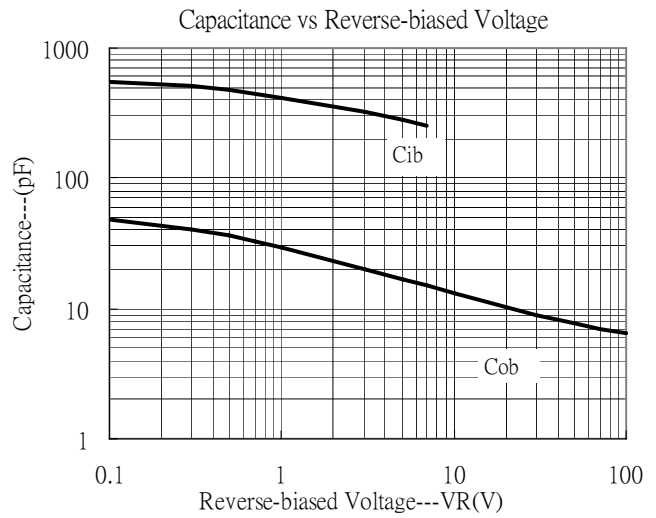
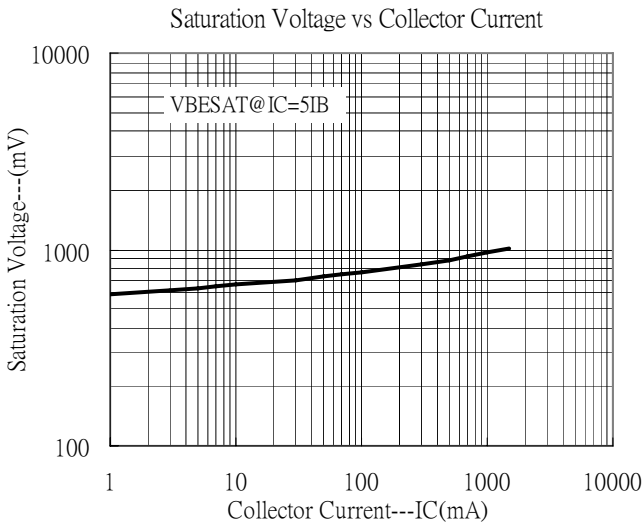
Device	Package	Shipping
BTC3149E3	TO-220 (RoHS compliant package)	50 pcs / tube , 40 tubes/box

Typical Characteristics



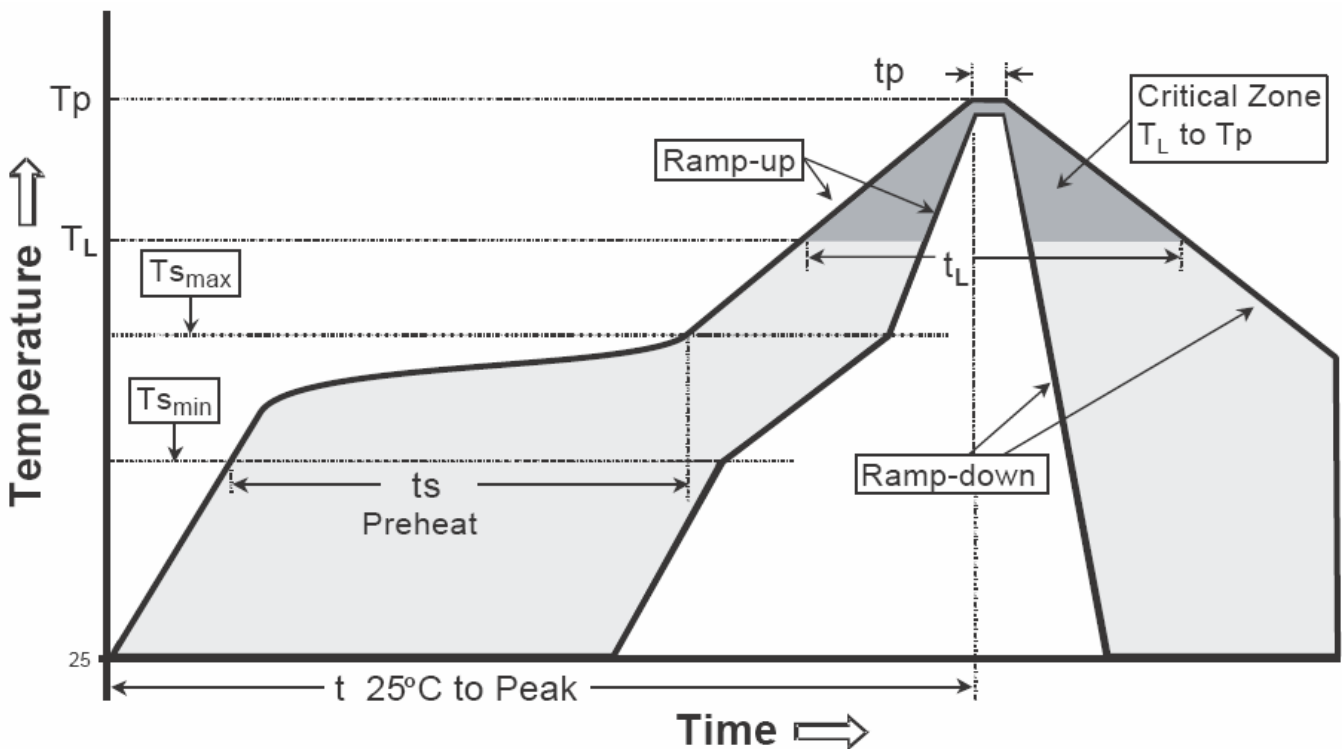


Typical Characteristics(Cont.)



Recommended wave soldering condition

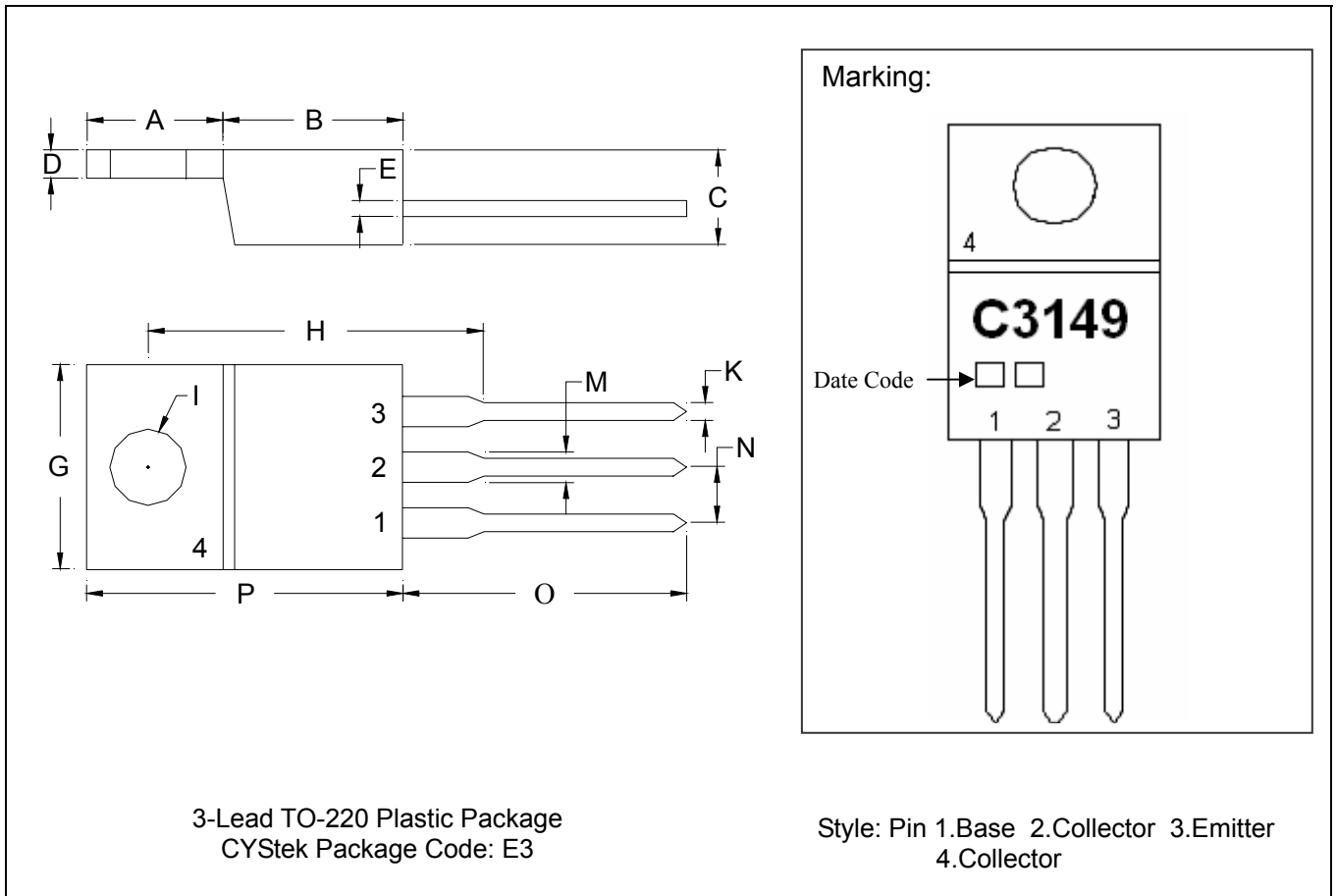
Product	Peak Temperature	Soldering Time
Pb-free devices	260 +0/-5 °C	5 +1/-1 seconds

Recommended temperature profile for IR reflow


Profile feature	Sn-Pb eutectic Assembly	Pb-free Assembly
Average ramp-up rate (T _{smax} to T _p)	3°C/second max.	3°C/second max.
Preheat		
-Temperature Min(T _{s min})	100°C	150°C
-Temperature Max(T _{s max})	150°C	200°C
-Time(t _{s min} to t _{s max})	60-120 seconds	60-180 seconds
Time maintained above:		
-Temperature (T _L)	183°C	217°C
- Time (t _L)	60-150 seconds	60-150 seconds
Peak Temperature(T _p)	240 +0/-5 °C	260 +0/-5 °C
Time within 5°C of actual peak temperature(t _p)	10-30 seconds	20-40 seconds
Ramp down rate	6°C/second max.	6°C/second max.
Time 25 °C to peak temperature	6 minutes max.	8 minutes max.

Note : All temperatures refer to topside of the package, measured on the package body surface.

TO-220 Dimension



*: Typical

DIM	Inches		Millimeters		DIM	Inches		Millimeters	
	Min.	Max.	Min.	Max.		Min.	Max.	Min.	Max.
A	0.2197	0.2949	5.58	7.49	I	-	*0.1508	-	*3.83
B	0.3299	0.3504	8.38	8.90	K	0.0295	0.0374	0.75	0.95
C	0.1732	0.185	4.40	4.70	M	0.0449	0.0551	1.14	1.40
D	0.0453	0.0547	1.15	1.39	N	-	*0.1000	-	*2.54
E	0.0138	0.0236	0.35	0.60	O	0.5000	0.5618	12.70	14.27
G	0.3803	0.4047	9.66	10.28	P	0.5701	0.6248	14.48	15.87
H	-	*0.6398	-	*16.25					

Notes: 1.Controlling dimension: millimeters.
 2.Maximum lead thickness includes lead finish thickness, and minimum lead thickness is the minimum thickness of base material.
 3.If there is any question with packing specification or packing method, please contact your local CYStek sales office.

Material:

- Lead: Pure tin plated.
- Mold Compound: Epoxy resin family, flammability solid burning class: UL94V-0.

Important Notice:

- All rights are reserved. Reproduction in whole or in part is prohibited without the prior written approval of CYStek.
- CYStek reserves the right to make changes to its products without notice.
- CYStek **semiconductor products are not warranted to be suitable for use in Life-Support Applications, or systems.**
- CYStek assumes no liability for any consequence of customer product design, infringement of patents, or application assistance.