

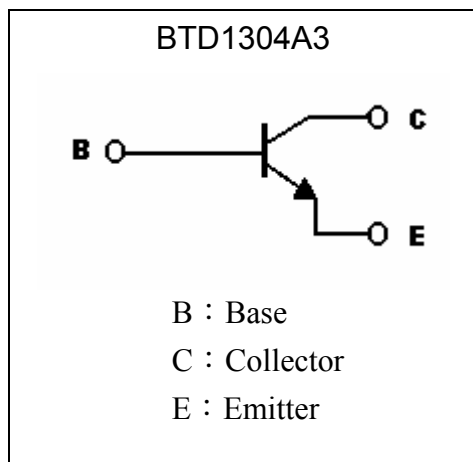
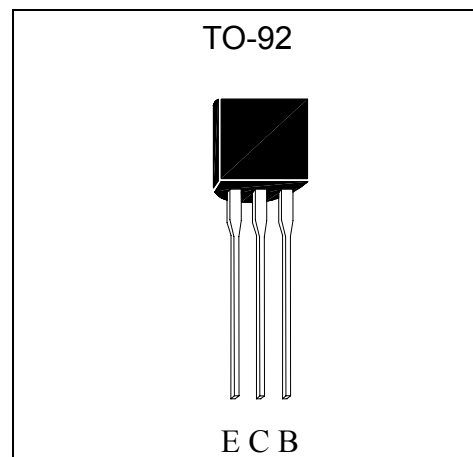
**NPN Epitaxial Planar Transistor
 AUDIO MUTING APPLICATION**

BTD1304A3

BV_{CEO}	20V
I_C	500mA
$R_{CE(SAT)}$	0.3 Ω (typ)

Features

- High Emitter-Base voltage, $V_{EBO}=12V(\text{min})$.
- High reverse h_{FE} , reverse $h_{FE}=20(\text{min.}) @V_{CE}=2V, I_C=4mA$.
- Low On-resistance, $R_{on}=0.6 \Omega (\text{max}) @I_B=1mA$.
- Pb-free and halogen-free package.

Symbol

Outline

Absolute Maximum Ratings ($T_a=25^\circ\text{C}$)

Parameter	Symbol	Limit	Unit
Collector-Base Voltage	V_{CB0}	50	V
Collector-Emitter Voltage	V_{CEO}	20	V
Emitter-Base Voltage	V_{EBO}	12	V
Collector Current	I_C	500	mA
Base Current	I_B	50	mA
Power Dissipation	P_D	625	mW
Thermal Resistance, Junction to Ambient	$R_{\theta JA}$	200	$^\circ\text{C}/\text{W}$
Operating Junction Temperature Range	T_j	-55~+150	$^\circ\text{C}$
Storage Temperature Range	T_{stg}	-55~+150	$^\circ\text{C}$

**Characteristics (Ta=25°C)**

Symbol	Min.	Typ.	Max.	Unit	Test Conditions
BV _{CB0}	50	-	-	V	I _C =100μA, I _E =0
BV _{CE0}	20	-	-	V	I _C =1mA, I _B =0
BV _{EB0}	12	-	-	V	I _E =10μA, I _C =0
I _{CB0}	-	-	100	nA	V _{CB} =40V, I _E =0
I _{EB0}	-	-	100	nA	V _{EB} =12V, I _C =0
*V _{CE(sat)}	-	34	100	mV	I _C =100mA, I _B =10mA
*V _{CE(sat)}	-	0.15	0.3	V	I _C =500mA, I _B =20mA
*R _{CE(sat)}	-	0.3	0.6	Ω	I _C =500mA, I _B =20mA
*V _{BE(sat)}	-	0.67	1	V	I _C =100mA, I _B =10mA
*h _{FE1} (FOR)	400	-	800	-	V _{CE} =2V, I _C =4mA
*h _{FE2} (FOR)	400	-	-	-	V _{CE} =3V, I _C =100mA
*h _{FE 3} (REV)	20	-	-	-	V _{CE} =2V, I _C =4mA
f _T	-	250	-	MHz	V _{CE} =10V, I _C =50mA, f=100MHz
Cob	-	10	-	pF	V _{CB} =10V, f=1MHz
Ron	-	-	0.6	Ω	Vin=0.3V, I _B =1mA, f=1KHz

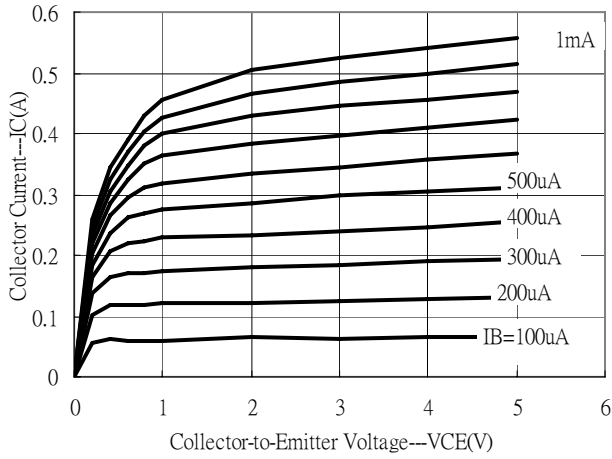
*Pulse Test : Pulse Width ≤300μs, Duty Cycle≤2%

Ordering Information

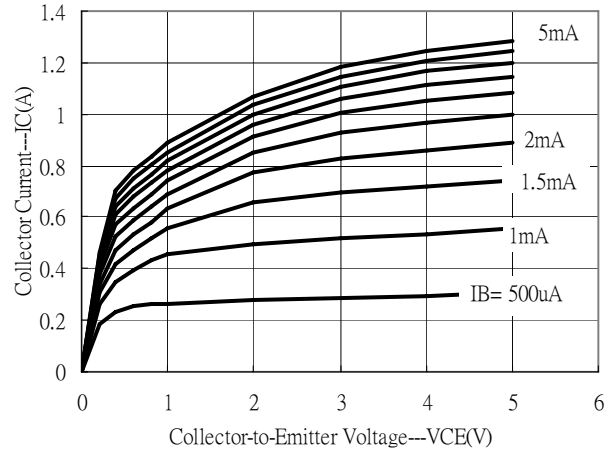
Device	Package	Shipping
BTD1304A3-0-BK-G	TO-92 (Pb-free and halogen-free package)	1000 pcs/ bag, 10 bags/box, 10boxes/carton
BTD1304A3-0-TB-G		2000 pcs / Tape & Box

Typical Characteristics

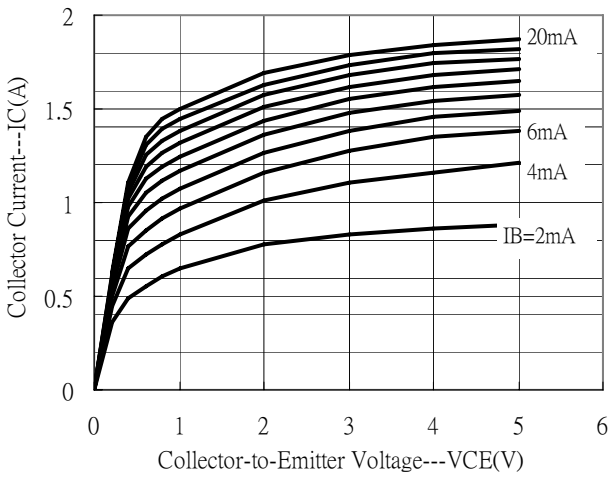
Emitter Grounded Output Characteristics



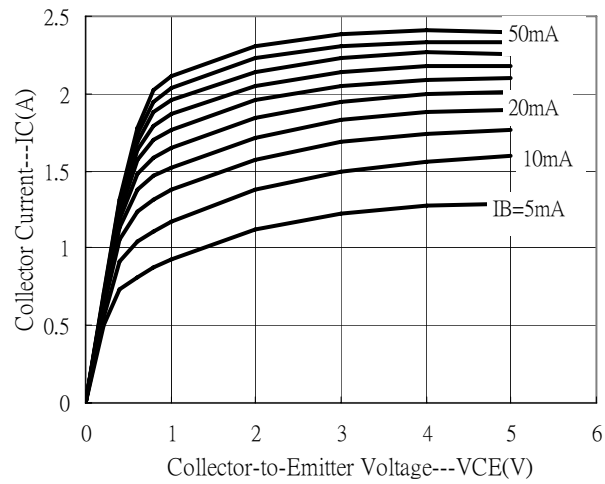
Emitter Grounded Output Characteristics



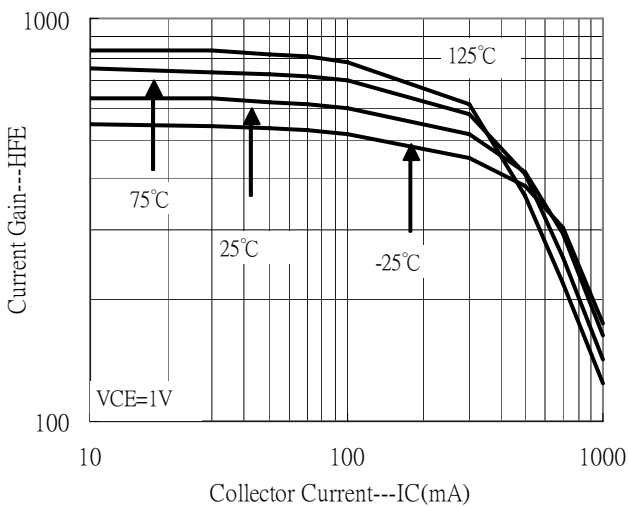
Emitter Grounded Output Characteristics



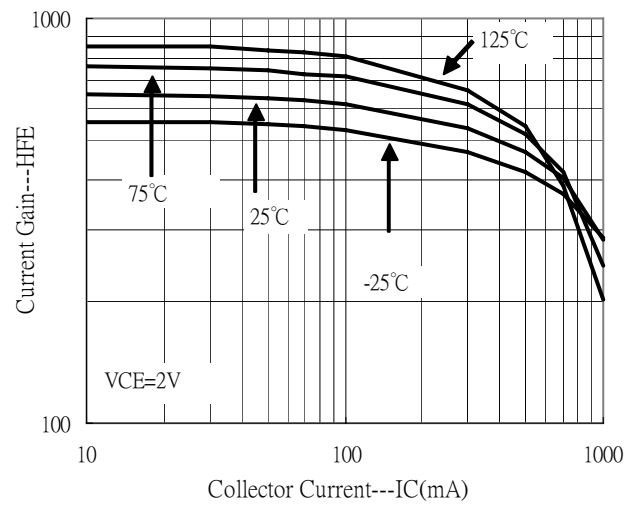
Emitter Grounded Output Characteristics



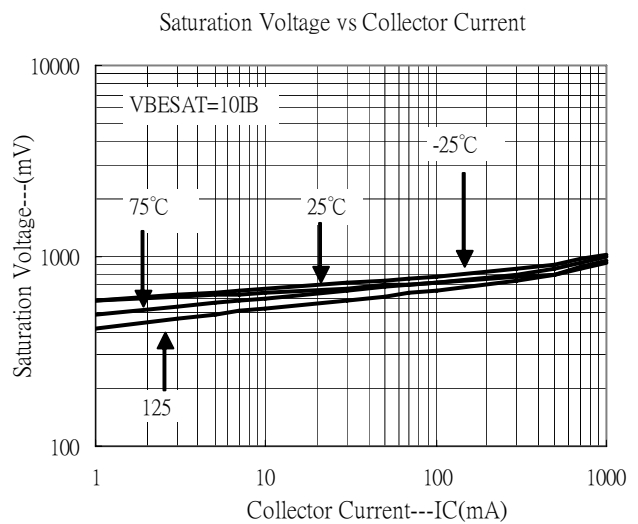
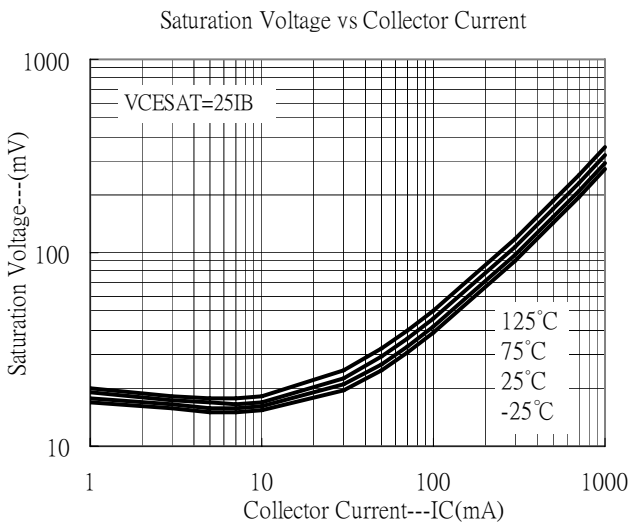
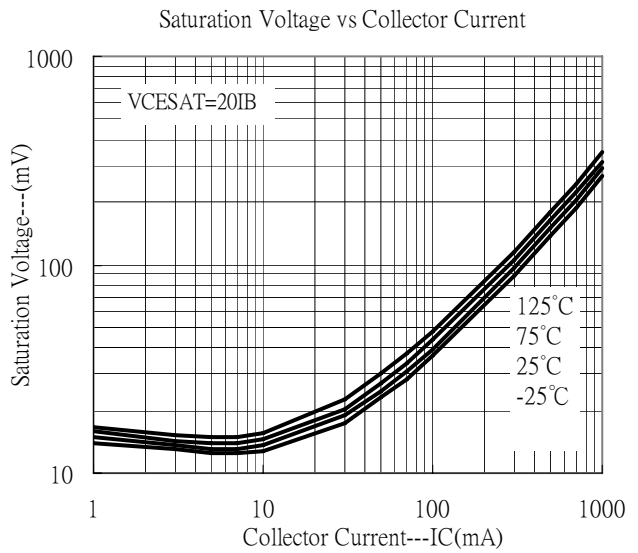
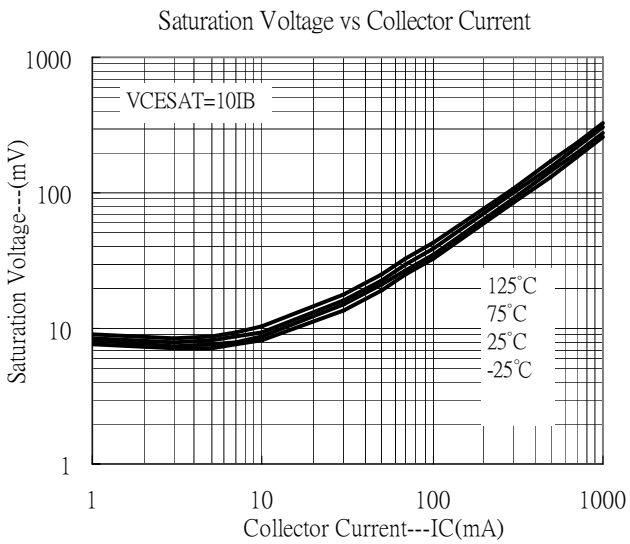
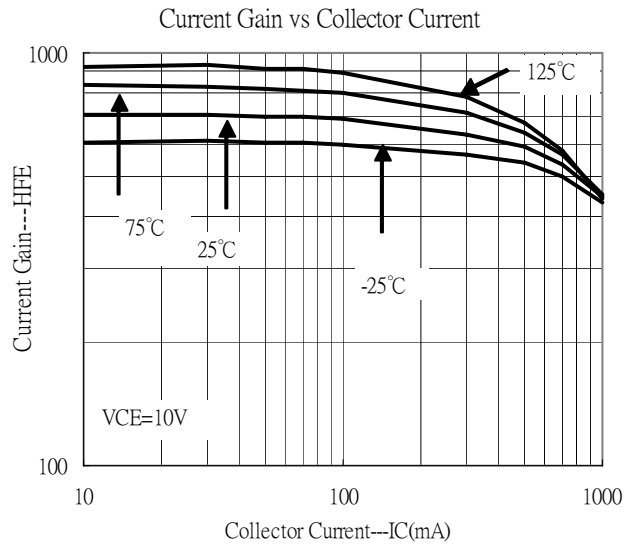
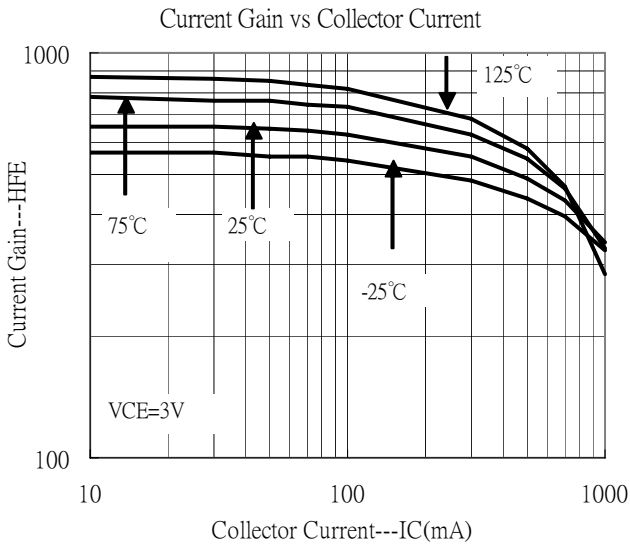
Current Gain vs Collector Current



Current Gain vs Collector Current

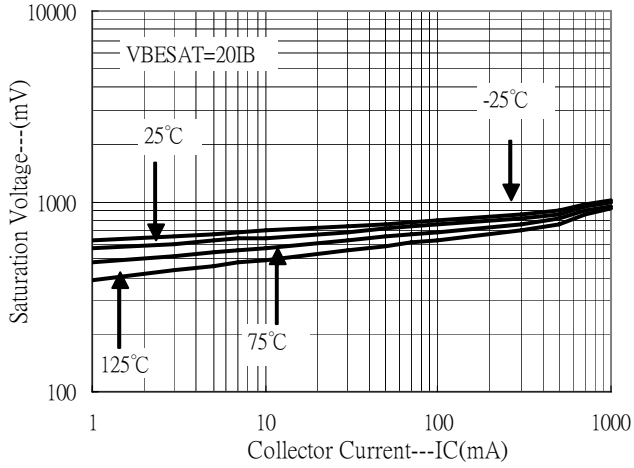


Typical Characteristics(Cont.)

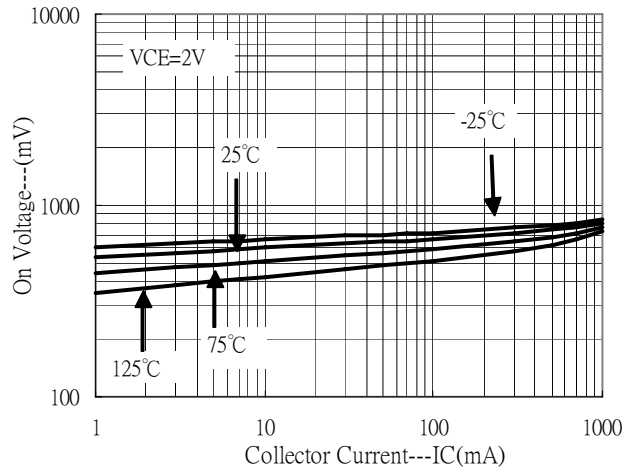


Typical Characteristics(Cont.)

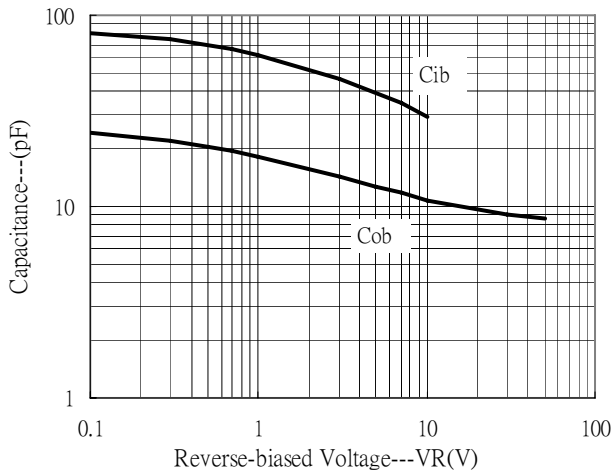
Saturation Voltage vs Collector Current



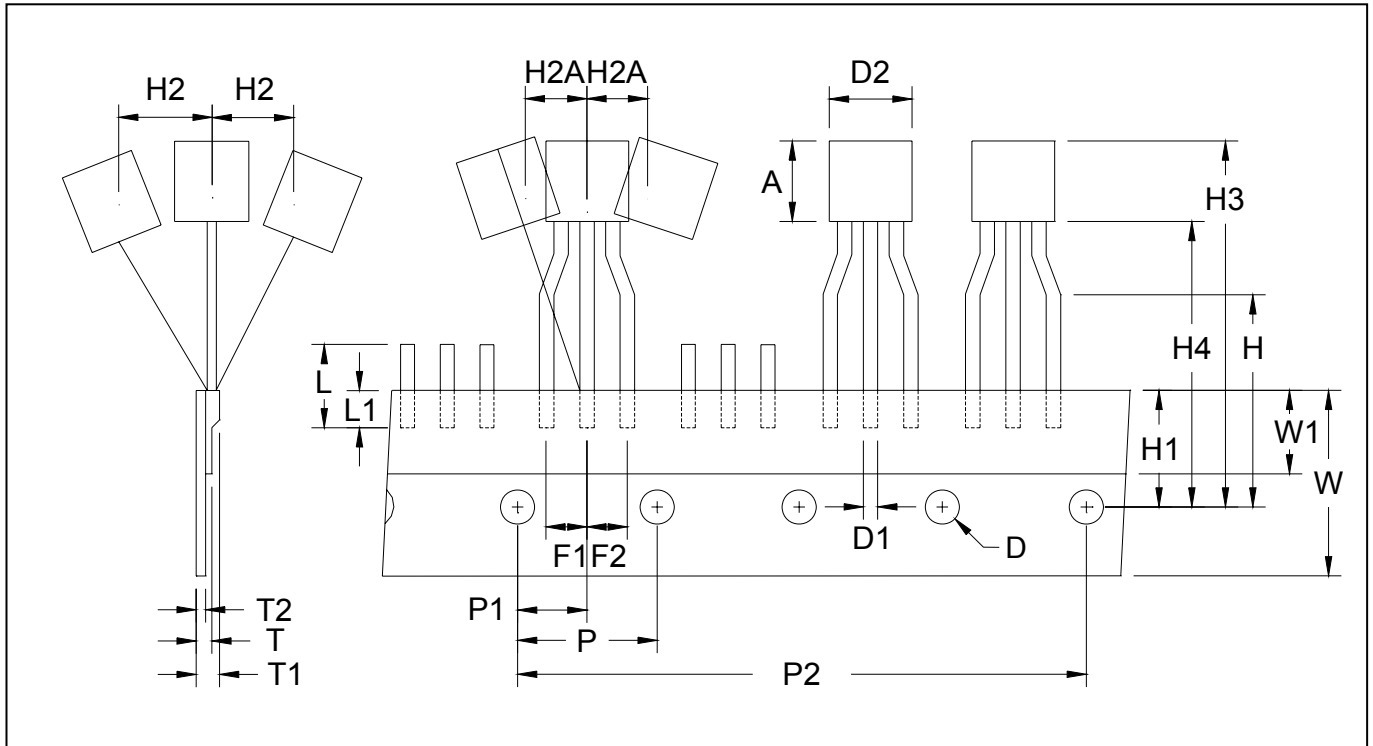
On Voltage vs Collector Current



Capacitance vs Reverse-biased Voltage



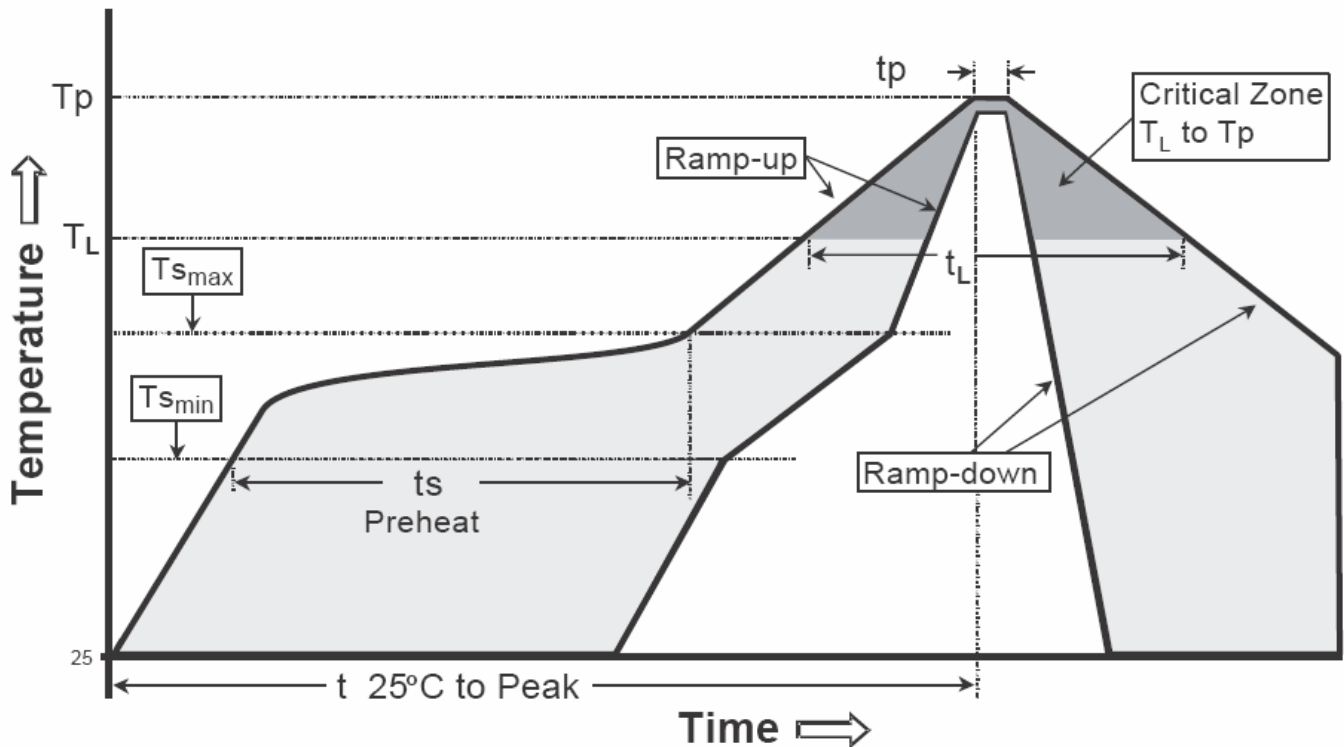
TO-92 Taping Outline



DIM	Item	Millimeters	
		Min.	Max.
A	Component body height	4.33	4.83
D	Tape Feed Diameter	3.80	4.20
D1	Lead Diameter	0.36	0.53
D2	Component Body Diameter	4.33	4.83
F1,F2	Component Lead Pitch	2.40	2.90
F1,F2	F1-F2	-	±0.3
H	Height Of Seating Plane	15.50	16.50
H1	Feed Hole Location	8.50	9.50
H2	Front To Rear Deflection	-	1
H2A	Deflection Left Or Right	-	1
H3	Component Height	-	27
H4	Feed Hole To Bottom Of Component	-	21
L	Lead Length After Component Removal	-	11
L1	Lead Wire Enclosure	2.50	-
P	Feed Hole Pitch	12.50	12.90
P1	Center Of Seating Plane Location	5.95	6.75
P2	4 Feed Hole Pitch	50.30	51.30
T	Over All Tape Thickness	-	0.55
T1	Total Taped Package Thickness	-	1.42
T2	Carrier Tape Thickness	0.36	0.68
W	Tape Width	17.50	19.00
W1	Adhesive Tape Width	5.00	7.00
-	20 pcs Pitch	253	255

Recommended wave soldering condition

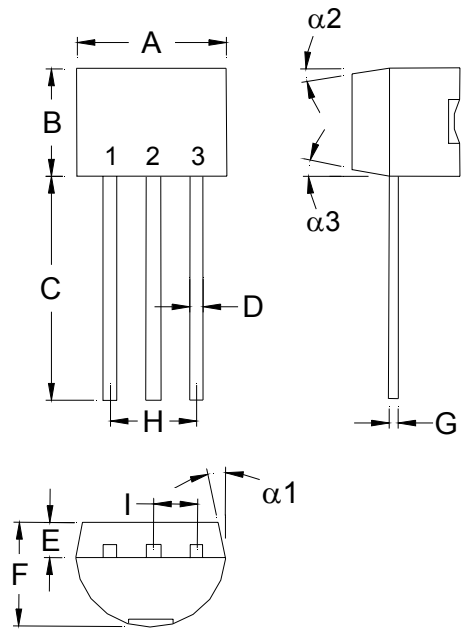
Product	Peak Temperature	Soldering Time
Pb-free devices	260 +0/-5 °C	5 +1/-1 seconds

Recommended temperature profile for IR reflow


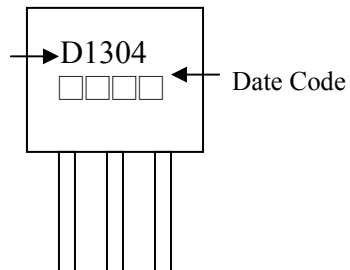
Profile feature	Sn-Pb eutectic Assembly	Pb-free Assembly
Average ramp-up rate (Tsmax to Tp)	3°C/second max.	3°C/second max.
Preheat		
-Temperature Min(Ts min)	100°C	150°C
-Temperature Max(Ts max)	150°C	200°C
-Time(ts min to ts max)	60-120 seconds	60-180 seconds
Time maintained above:		
-Temperature (TL)	183°C	217°C
- Time (tL)	60-150 seconds	60-150 seconds
Peak Temperature(TP)	240 +0/-5 °C	260 +0/-5 °C
Time within 5°C of actual peak temperature(tp)	10-30 seconds	20-40 seconds
Ramp down rate	6°C/second max.	6°C/second max.
Time 25 °C to peak temperature	6 minutes max.	8 minutes max.

Note : All temperatures refer to topside of the package, measured on the package body surface.

TO-92 Dimension



Marking:



Device Name → D1304 ← Date Code

Style: Pin 1. Emitter 2. Collector 3. Base

3-Lead TO-92 Plastic Package
 CYStek Package Code: A3

*: Typical

DIM	Inches		Millimeters		DIM	Inches		Millimeters	
	Min.	Max.	Min.	Max.		Min.	Max.	Min.	Max.
A	0.1704	0.1902	4.33	4.83	G	0.0142	0.0220	0.36	0.56
B	0.1704	0.1902	4.33	4.83	H	-	*0.1000	-	*2.54
C	0.5000	-	12.70	-	I	-	*0.0500	-	*1.27
D	0.0142	0.0220	0.36	0.56	$\alpha 1$	-	*5°	-	*5°
E	-	*0.0500	-	*1.27	$\alpha 2$	-	*2°	-	*2°
F	0.1323	0.1480	3.36	3.76	$\alpha 3$	-	*2°	-	*2°

- Notes:**
1. Controlling dimension: millimeters.
 2. Maximum lead thickness includes lead finish thickness, and minimum lead thickness is the minimum thickness of base material.
 3. If there is any question with packing specification or packing method, please contact your local CYStek sales office.

Material:

- Lead: Pure tin plated.
- Mold Compound: Epoxy resin family, flammability solid burning class: UL94V-0.

Important Notice:

- All rights are reserved. Reproduction in whole or in part is prohibited without the prior written approval of CYStek.
- CYStek reserves the right to make changes to its products without notice.
- CYStek **semiconductor products are not warranted to be suitable for use in Life-Support Applications, or systems.**
- CYStek assumes no liability for any consequence of customer product design, infringement of patents, or application assistance.