

D/A Converter Series for Electronic Adjustments

High-precision 10bit 8ch · 10ch Type D/A Converters


BU2506FV, BU2505FV

No.09052EAT03

●Description

BU2506FV and BU2505FV ICs are high performance 10bit R-2R type DACs with 8ch and 10ch outputs, respectively. Cascade connection is possible, ensuring suitability with multi-channel applications. Each channel incorporates a full swing output-type buffer amplifier with high speed output response characteristics, resulting in a greatly shortened wait time. The ICs also utilize the TTL level input method, and with the RESET pin the output voltage can be kept in the lower reference voltage range.

●Features

- 1) High performance, multi-channel R-2R-type 10bit D/A converter built-in (BU2506FV: 8 channels, BU2505FV: 10 channels)
- 2) Full swing output type buffer amplifier incorporated at each output channel
- 3) The RESET terminal can keep the output voltage at all channels within the lower reference voltage range
- 4) Digital input compatible with TTL levels
- 5) 14bit 3-line serial data + RESET signal input (address 4bit + data 10bit)
- 6) Cascade connection available
- 7) LSB first / MSB first of 10bit data can be changed by the REVERSE terminal
- 8) Compact package: 0.65mm pitch, 20 pins (SSOP-B20)

●Applications

DVDs, CD-Rs, CD-RWs, Digital cameras

●Lineup

Parameter	BU2505FV	BU2506FV
Power source voltage range	4.5 to 5.5V	4.5 to 5.5V
Number of channels	10ch	8ch
Differential non linearity error	±1.0LSB	±1.0LSB
Integral non linearity error	±3.5LSB	±3.5LSB
Data transfer frequency	10MHz	10MHz
Package	SSOP-B20	SSOP-B20

●Absolute Maximum Ratings(Ta=25°C)

Parameter	Symbol	Limits	Unit
Power source voltage	VCC	-0.3 to 6.0	V
D/A converter upper standard voltage	VDD	-0.3 to 6.0	V
Input voltage	VIN	-0.3 to 6.0	V
Output voltage	VOUT	-0.3 to 6.0	V
Storage temperature range	T _{stg}	-55 to 125	°C
Power dissipation	P _d	400*	mW

* Derated at 4mW/°C at Ta>25°C, mounted on a 70x70x1.6mm FR4 glass epoxy board (copper foil area less than 3%)

Note: These products are not robust against radiation

●Recommended Operating Conditions(Ta=25°C)

Parameter	Symbol	Limits	Unit
Power supply voltage range	VCC	4.5 to 5.5	V
Operating temperature range	Topr	-30 to 85	°C

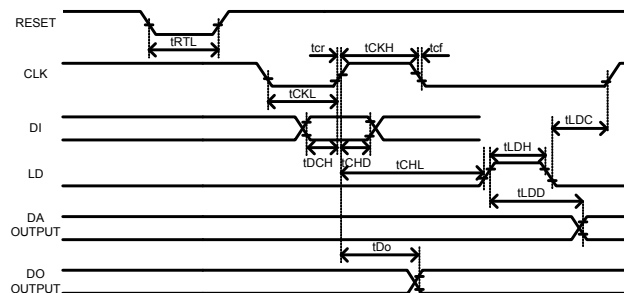
●Electrical Characteristics(Unless otherwise specified, VCC=5V, VrefH=5V, VrefL=0V, Ta=25°C)

Parameter	Symbol	Limits			Unit	Conditions	
		MIN.	TYP.	MAX.			
<Digital unit>							
Power source current	ICC	-	0.85	2.8	mA	At CLK=10MHz, IAO=0μA	
Input leak current	IILK	-5	-	5	μA	VIN=0 to VCC	
Input voltage L	VIL	-	-	0.8	V	-	
Input voltage H	VIH	2.0	-	-	V	-	
Output voltage L	VOL	0	-	0.4	V	IOL=2.5mA	
Output voltage H	VOH	4.6	-	5	V	IOH=-2.5mA	
<Analog unit>							
Consumption current	IrefH	-	4.5	7.5	mA	Data condition : at maximum current	
		-	3.7	6.2	mA ^(*1)		
D/A converter upper standard voltage setting range	VrefH	3.0	-	5	V	Outputs are not necessarily within the standard voltage setting range, but ARE within the buffer amplifier output voltage range (VO).	
D/A converter lower standard voltage setting range	VrefL	0	-	1.5	V		
Buffer amplifier output voltage range	VO	0.1	-	4.9	V	IO=±100μA	
		0.2	-	4.75		IO=±1.0mA	
Buffer amplifier output drive range	IO	-2	-	2	mA	Upper saturation voltage =0.35V Lower saturation voltage =0.23V	
Precision	Differential non-linearity error	DNL	-1.0	-	1.0	LSB	VrefH =4.796V VrefL=0.7V
	Integral non-linearity error	INL	-3.5	-	3.5		
	Zero point error	SZERO	-25	-	25	mV	VCC=5.5V (4mV/LSB) At no load (IO=+0mA)
	Full scale error	SFULL	-25	-	25		
Buffer amplifier output impedance	RO	-	5	15	Ω	-	
Pull-up I/O internal resistance value	Rup	12.5	25	37.5	kΩ	Input voltage 0V (Resistance value changes according to voltage supplied)	

*1 Value in the case where CH1 ~ CH8 are set to maximum current

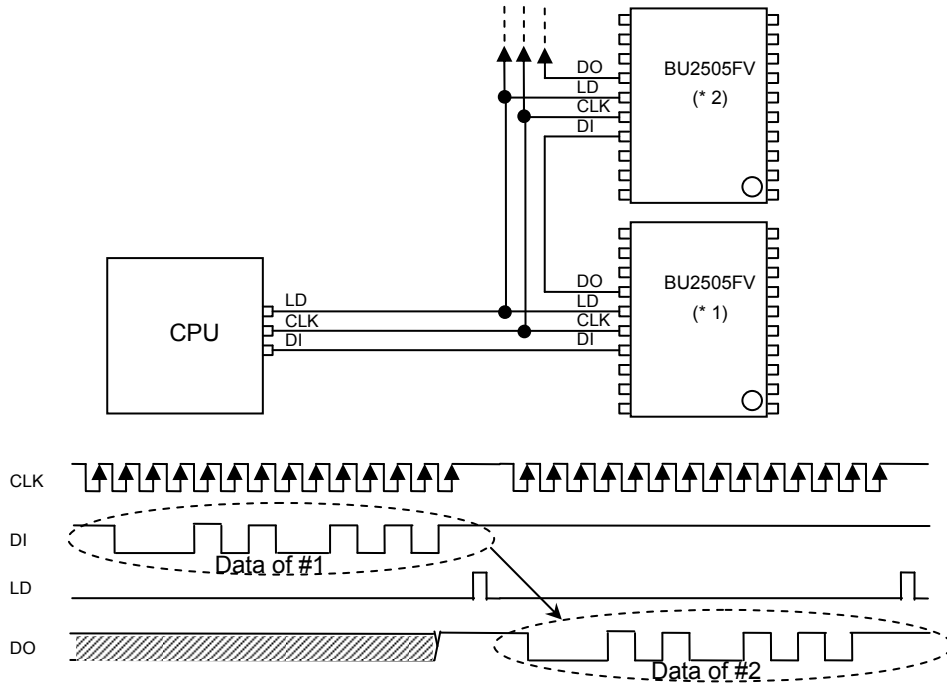
●Timing Characteristics(Unless otherwise specified, VCC=5V, VrefH=5V, VrefL=0V, Ta=25°C)

Parameter	Symbol	Limits			Unit	Conditions	
		MIN.	TYP.	MAX.			
Judgment level is 80% / 20% of VCC.							
Reset L pulse width	tRTL	50	-	-	nS	-	
Clock L pulse width	tCKL	50	-	-		-	
Clock H pulse width	tCKH	50	-	-		-	
Clock rise time	tcr	-	-	50		-	
Clock fall time	tcf	-	-	50		-	
Data setup time	tDCH	20	-	-		-	
Data hold time	tCHD	40	-	-		-	
Load setup time	tCHL	50	-	-		-	
Load hold time	tLDC	50	-	-		-	
Load H pulse width	tLDH	50	-	-		-	
Data output delay time	tDO	-	-	90		-	CL=100pF
DA output settling time	tLDD	-	7	20		μS	CL ≤ 1000pF, VO:0.5V↔4.5V . Until output becomes the final value 1/2LSB



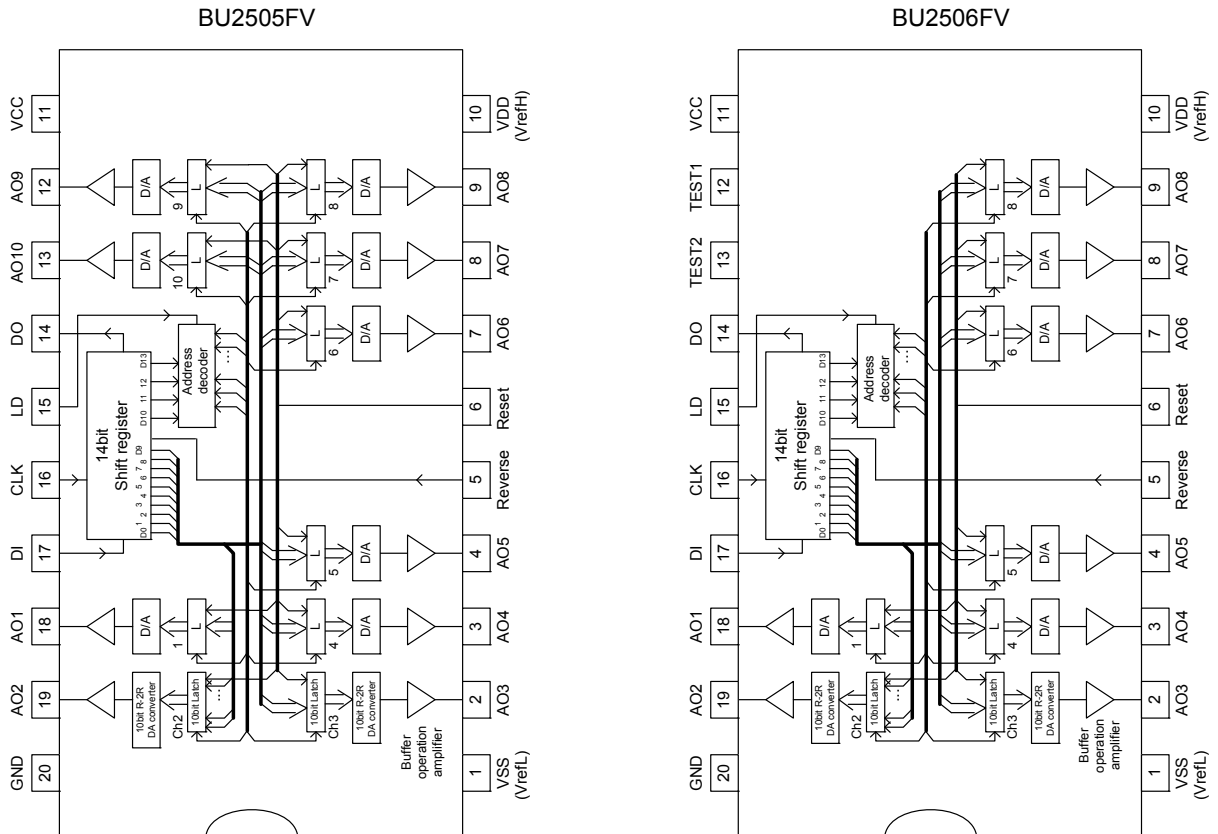
● Cascade Connection

A cascade connection data output terminal (DO) is available for reducing the design load when the number of channels is increased. The DO terminal can be connected directly to the data input terminal (DI) of the next stage. Its effectiveness increases as the number of channels increases. The data transition timing is as shown below.



In a cascade connection, in order to have sufficient data change and clock edge time margins, make the clock line the shortest.

● Block Diagrams



● Terminal Descriptions

No.	Terminal Name	Analog / Digital	I/O	Description	Equivalent Circuit
1	VSS	Analog	-	DA converter lower standard voltage (VrefL) input terminal	6
2	AO3	Analog	O	10bit D/A output(CH3)	4
3	AO4	Analog	O	10bit D/A output(CH4)	4
4	AO5	Analog	O	10bit D/A output(CH5)	4
5	Reverse	Digital	I	The reverse LSB and MSB of data designation 10bit in 14bit.	2
6	Reset	Digital	I	All ch analog output L fixed	2
7	AO6	Analog	O	10bit D/A output(CH6)	4
8	AO7	Analog	O	10bit D/A output(CH7)	4
9	AO8	Analog	O	10bit D/A output(CH8)	4
10	VDD	Analog	-	DA converter upper standard voltage (VrefH) input terminal	5
11	VCC	-	-	Power source terminal	-
12	AO9(TEST1)	Analog	O	10bit D/A output(CH9) (BU2506FV : test terminal)	4
13	AO10(TEST2)	Analog	O	10bit D/A output(CH10) (BU2506FV : test terminal)	4
14	DO	Digital	O	This outputs bit data of LSB of 14bit shift register.	3
15	LD	Digital	I	LD terminal. When High level is input, the value of 14bit shift register is loaded to decoder and D/A output register.	1
16	CLK	Digital	I	Shift clock input terminal. At rise of shift clock, the signal from DI terminal is input to 14bit shift register.	1
17	DI	Digital	I	Serial data input terminal. Serial data whose data length is 14bit (address 4bit + data 10bit) is input.	1
18	AO1	Analog	O	10bit D/A output(CH1)	4
19	AO2	Analog	O	10bit D/A output(CH2)	4
20	GND	-	-	GND terminal	-

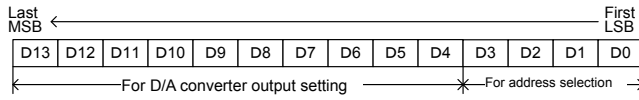
*In the case of BU2506FV, be sure to leave the TEST1 and TEST2 terminals open

● Command Transmission

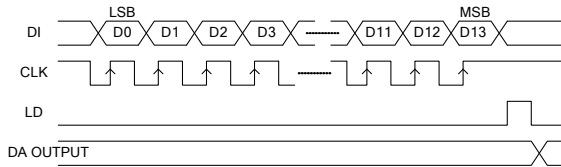
1) Reverse = open (or VCC short-circuit) setting

(Data: LSB first)

(1) Data format



(2) Data timing diagram

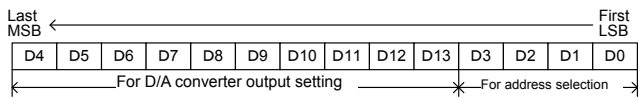


D3	D2	D1	D0	Address Selection
0	0	0	0	Inconsequential
0	0	0	1	AO1 selection
0	0	1	0	AO2 selection
0	0	1	1	AO3 selection
0	1	0	0	AO4 selection
0	1	0	1	AO5 selection
0	1	1	0	AO6 selection
0	1	1	1	AO7 selection
1	0	0	0	AO8 selection
1	0	0	1	AO9 selection ^{*1}
1	0	1	0	AO10 selection ^{*1}
1	0	1	1	Inconsequential
1	1	0	0	Inconsequential
1	1	0	1	Inconsequential
1	1	1	0	Inconsequential
1	1	1	1	Inconsequential

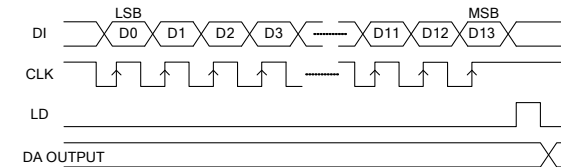
D13	D12	D11	D10	D9	D8	D7	D6	D5	D4	D/A output (VrefH=VDD, VrefL=VSS)
0	0	0	0	0	0	0	0	0	0	VrefL
0	0	0	0	0	0	0	0	0	1	$(V_{refH}-V_{refL})/1024 \times 1 + V_{refL}$
0	0	0	0	0	0	0	0	1	0	$(V_{refH}-V_{refL})/1024 \times 2 + V_{refL}$
0	0	0	0	0	0	0	0	1	1	$(V_{refH}-V_{refL})/1024 \times 3 + V_{refL}$
:	:	:	:	:	:	:	:	:	:	:
1	1	1	1	1	1	1	1	1	0	$(V_{refH}-V_{refL})/1024 \times 1022 + V_{refL}$
1	1	1	1	1	1	1	1	1	1	$(V_{refH}-V_{refL})/1024 \times 1023 + V_{refL}$

2) Reverse = L setting (Data: MSB first)

(1) Data format



(2) Data timing diagram



D3	D2	D1	D0	Address selection
0	0	0	0	Inconsequential
0	0	0	1	AO1 selection
0	0	1	0	AO2 selection
0	0	1	1	AO3 selection
0	1	0	0	AO4 selection
0	1	0	1	AO5 selection
0	1	1	0	AO6 selection
0	1	1	1	AO7 selection
1	0	0	0	AO8 selection
1	0	0	1	AO9 selection ^{*1}
1	0	1	0	AO10 selection ^{*1}
1	0	1	1	Inconsequential
1	1	0	0	Inconsequential
1	1	0	1	Inconsequential
1	1	1	0	Inconsequential
1	1	1	1	Inconsequential

D13	D12	D11	D10	D9	D8	D7	D6	D5	D4	D/A output (VrefH=VDD, VrefL=VSS)
0	0	0	0	0	0	0	0	0	0	VrefL
1	0	0	0	0	0	0	0	0	0	$(V_{refH}-V_{refL})/1024 \times 1 + V_{refL}$
0	1	0	0	0	0	0	0	0	0	$(V_{refH}-V_{refL})/1024 \times 2 + V_{refL}$
1	1	0	0	0	0	0	0	0	0	$(V_{refH}-V_{refL})/1024 \times 3 + V_{refL}$
:	:	:	:	:	:	:	:	:	:	:
0	1	1	1	1	1	1	1	1	1	$(V_{refH}-V_{refL})/1024 \times 1022 + V_{refL}$
1	1	1	1	1	1	1	1	1	1	$(V_{refH}-V_{refL})/1024 \times 1023 + V_{refL}$

*1 In the BU2506FV, this channel is for testing, therefore, do not designate.

●Electrical Characteristics Curves

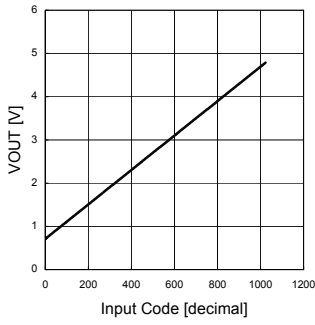


Fig.1 Output voltage linearity(-30°C)

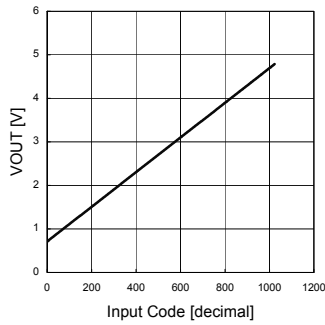


Fig.2 Output voltage linearity(25°C)

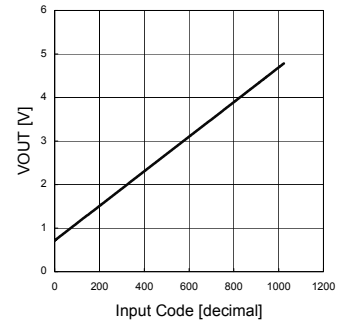


Fig.3 Output voltage linearity(85°C)

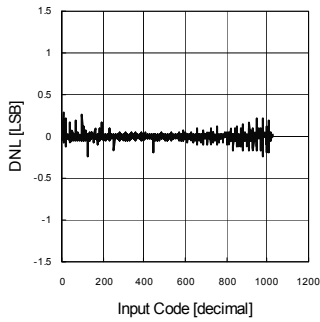


Fig.4 Differential linearity error (-30°C)

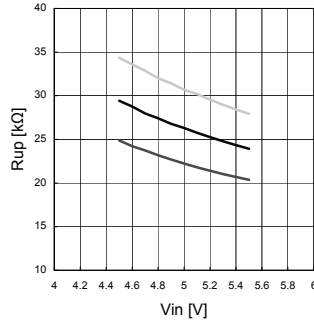


Fig.5 Differential linearity error(25°C)

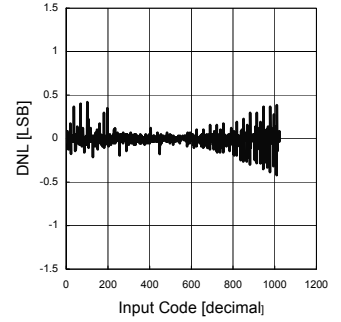


Fig.6 Differential linearity error(85°C)

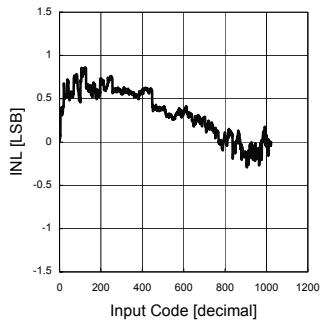


Fig.7 Integral linearity error(-30°C)

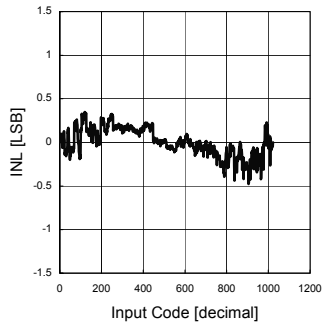


Fig.8 Integral linearity error(25°C)

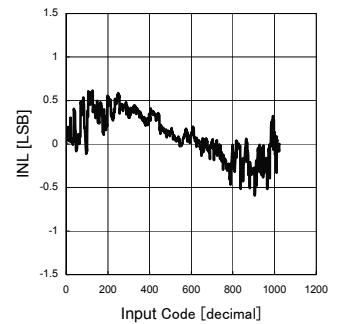


Fig.9 Integral linearity error(85°C)

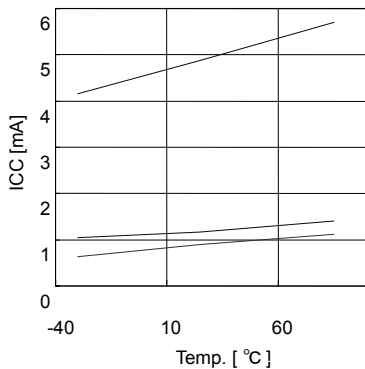


Fig.10 Circuit current temperature characteristic

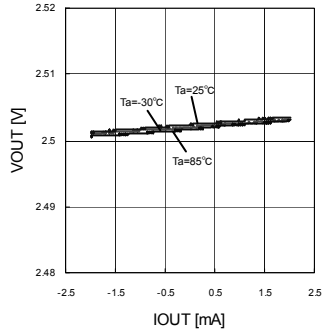


Fig.11 Output load fluctuation characteristic (input code : 1FFh)

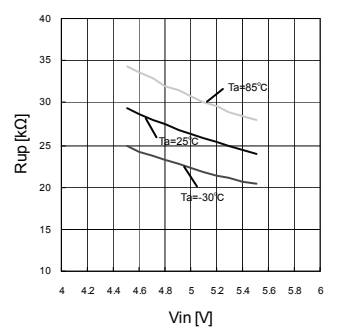
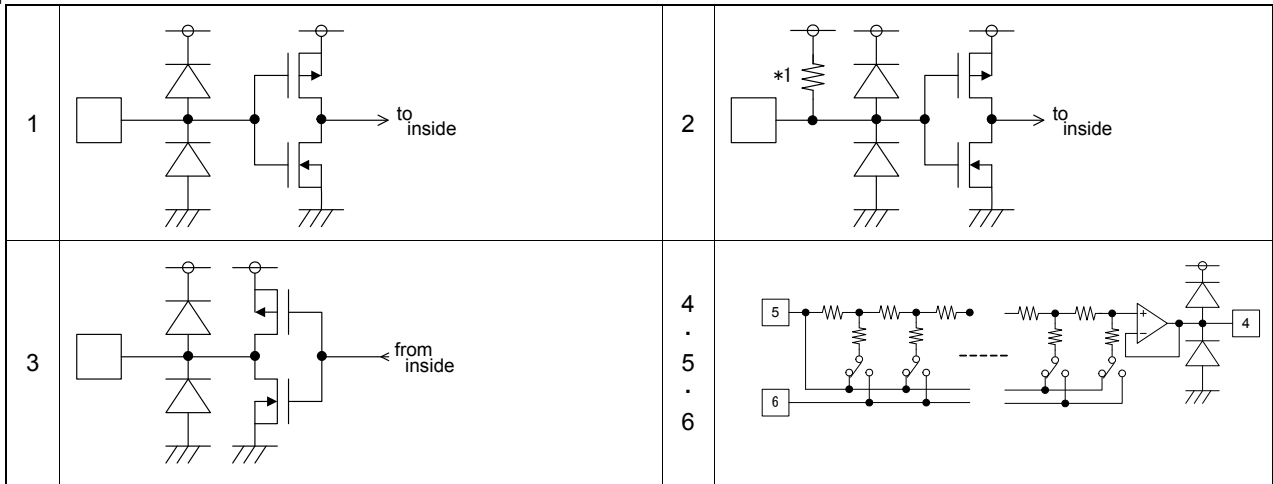


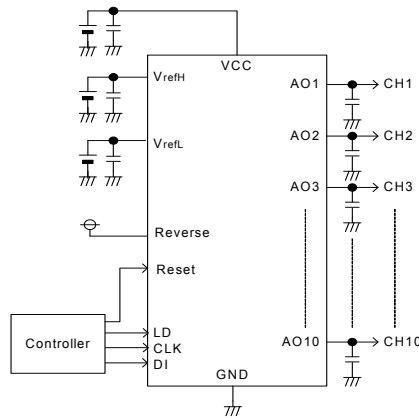
Fig.12 Pull-up built in resistance characteristic

●Equivalent Circuits



*1 25kΩ at Vcc = 5.0V (changes according to voltage supplied)

●Standard Example Application Circuit



●Operation Notes

Ensure that a constant voltage is supplied to each of the 1 ground and 3 power supply terminals.

Insert a bypass capacitor between each power supply terminal and ground in order to prevent deterioration of the D/A conversion accuracy due to ripple and noise signals.

A capacitor should be inserted between the output and ground in order to eliminate jitter and noise. A capacitance up to 100pF is recommended (including the capacitance of the wire).

This IC can select to decode the 10bit DI data pattern using either LSB first or MSB first, depending on the conditions of the REVERSE terminal. Therefore, be sure to stabilize the REVERSE terminal by leaving it open or short-circuiting VDD (LSB first), or short-circuiting GND (MSB first).

Inserting a capacitor between the RESET terminal and GND and utilizing a time constant enables power ON reset functionality. Furthermore, when inputting the reset signal from the controller, it is possible to fix the output of all channels to Low at the low area of pulse.

● Ordering part number

B	U
---	---

Part No.

2	5	0	6
---	---	---	---

Part No.
2506
2505

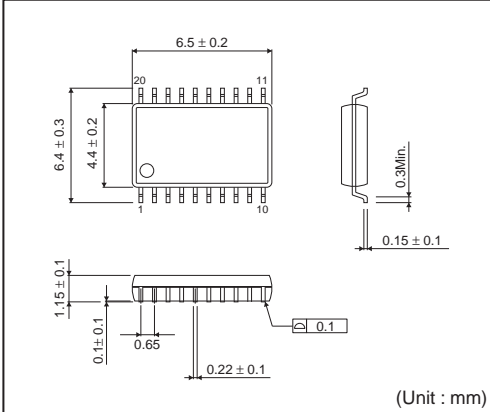
F	V
---	---

Package
FV: SSOP-B20

E	2
---	---

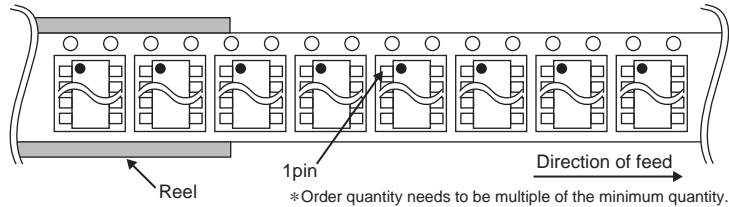
Packaging and forming specification
E2: Embossed tape and reel

SSOP-B20



<Tape and Reel information>

Tape	Embossed carrier tape
Quantity	2500pcs
Direction of feed	E2 (The direction is the 1pin of product is at the upper left when you hold reel on the left hand and you pull out the tape on the right hand)



Notes

No copying or reproduction of this document, in part or in whole, is permitted without the consent of ROHM Co.,Ltd.

The content specified herein is subject to change for improvement without notice.

The content specified herein is for the purpose of introducing ROHM's products (hereinafter "Products"). If you wish to use any such Product, please be sure to refer to the specifications, which can be obtained from ROHM upon request.

Examples of application circuits, circuit constants and any other information contained herein illustrate the standard usage and operations of the Products. The peripheral conditions must be taken into account when designing circuits for mass production.

Great care was taken in ensuring the accuracy of the information specified in this document. However, should you incur any damage arising from any inaccuracy or misprint of such information, ROHM shall bear no responsibility for such damage.

The technical information specified herein is intended only to show the typical functions of and examples of application circuits for the Products. ROHM does not grant you, explicitly or implicitly, any license to use or exercise intellectual property or other rights held by ROHM and other parties. ROHM shall bear no responsibility whatsoever for any dispute arising from the use of such technical information.

The Products specified in this document are intended to be used with general-use electronic equipment or devices (such as audio visual equipment, office-automation equipment, communication devices, electronic appliances and amusement devices).

The Products specified in this document are not designed to be radiation tolerant.

While ROHM always makes efforts to enhance the quality and reliability of its Products, a Product may fail or malfunction for a variety of reasons.

Please be sure to implement in your equipment using the Products safety measures to guard against the possibility of physical injury, fire or any other damage caused in the event of the failure of any Product, such as derating, redundancy, fire control and fail-safe designs. ROHM shall bear no responsibility whatsoever for your use of any Product outside of the prescribed scope or not in accordance with the instruction manual.

The Products are not designed or manufactured to be used with any equipment, device or system which requires an extremely high level of reliability the failure or malfunction of which may result in a direct threat to human life or create a risk of human injury (such as a medical instrument, transportation equipment, aerospace machinery, nuclear-reactor controller, fuel-controller or other safety device). ROHM shall bear no responsibility in any way for use of any of the Products for the above special purposes. If a Product is intended to be used for any such special purpose, please contact a ROHM sales representative before purchasing.

If you intend to export or ship overseas any Product or technology specified herein that may be controlled under the Foreign Exchange and the Foreign Trade Law, you will be required to obtain a license or permit under the Law.



Thank you for your accessing to ROHM product informations.
More detail product informations and catalogs are available, please contact us.

ROHM Customer Support System

<http://www.rohm.com/contact/>