

PLL frequency synthesizer for tuners

BU2618FV

The BU2618FV is a low current dissipation PLL frequency synthesizer designed for use in FM multiplex radio receiver and FM pager receiver. Featuring very small package and built-in prescaler that can operate at up to 130MHz.

●Applications

FM multiplex radio receivers, pagers, radios, and other signal generators

●Features

- 1) Built-in high-speed prescaler can divide 130 MHzVCO.
- 2) Low current dissipation (during operation: 1.5mA, PLL OFF: 200 μ A Typ.)
- 3) Seven standard frequencies: 25kHz, 12.5kHz, 6.25kHz, 10kHz, 9kHz, 5kHz, and 1kHz.
- 4) Counter for intermediate frequency detection.
- 5) Unlock detection circuit.
- 6) Four output ports.
- 7) Serial data input (CE, CK, DA)

●Absolute maximum ratings (Ta = 25°C)

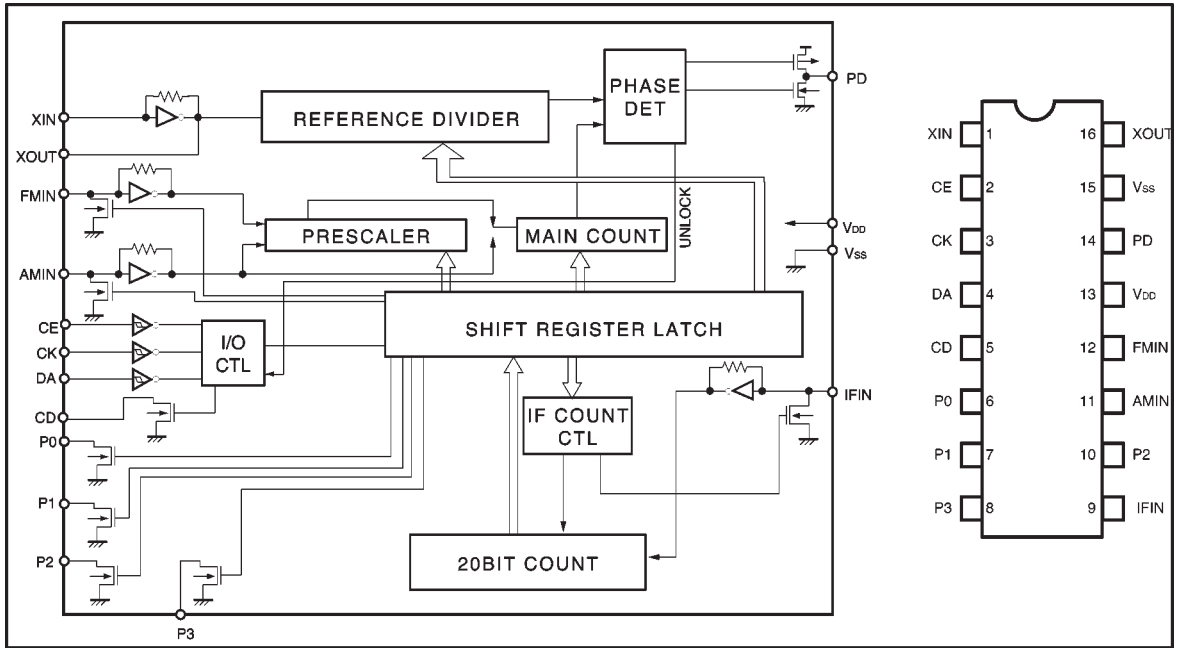
Parameter	Symbol	Limits	Unit	Conditions
Power supply voltage	V _{DD}	-0.3~+7.0	V	V _{DD}
Maximum input voltage 1	V _{IN1}	-0.3~+7.0	V	CE, CK, DA
Maximum input voltage 2	V _{IN2}	-0.3~V _{DD} +0.3	V	XIN, FMIN, AMIN, IFIN
Maximum output voltage 1	V _{OUT1}	-0.3~+10.0	V	P ₀ , P ₁ , P ₂ , P ₃ , CD
Maximum output voltage 2	V _{OUT2}	-0.3~V _{DD} +0.3	V	PD, XOUT
Maximum output current	I _{OUT}	0~4.0	mA	P ₀ , P ₁ , P ₂ , P ₃ , CD
Power dissipation	P _d	350*	mW	—
Operating temperature	T _{opr}	-25~+75	°C	—
Storage temperature	T _{stg}	-55~+125	°C	—

* Reduced by 3.5mW for each increase in Ta of 1 °C over 25°C.

●Recommended operating conditions (Ta = 25°C)

Parameter	Symbol	Min.	Typ.	Max.	Unit
Power supply voltage	V _{DD}	2.7	—	6.0	V

● Block diagram



● Pin descriptions

Pin No.	Pin name	Pin description	Function	I / O
16	XOUT	Crystal oscillation terminal	For generation of standard frequency and internal clock. Connected to 7.2 MHz crystal resonator.	OUT
1	XIN			IN
2	CE	Chip enable	When CE is H, DA is synchronous with the rise of CK and read to the internal shift register. DA is then latched at the timing of the fall of CE. Also, output data is output from the CD terminal synchronous to the rise of CK.	IN
3	CK	Clock signal		
4	DA	Serial data		
5	CD	Count data		
6	P0	Output port	Controlled on the basis of input data.	Nch open drain
7	P1			
8	P3			
9	IFIN	IF input	Input for frequency measurement	IN
10	P2	Output port	Controlled on the basis of input data.	Nch open drain
11	AMIN	AM input	Local input for AM	IN
12	FMIN	FM input	Local input for FM	IN
13	V _{DD}	Power supply	Power supply, with 2.7V to 6.0V applied voltage.	—
14	PD	Phase comparison output	High level when value obtained by dividing local output is higher than standard frequency. Low level when value is lower. High impedance when value is same.	3-state
15	V _{SS}	GROUND		—

* : When power is ON, pins 5 through 12 and pin 14 are not set until data is input.

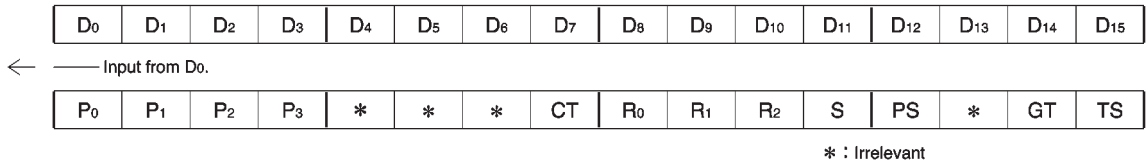
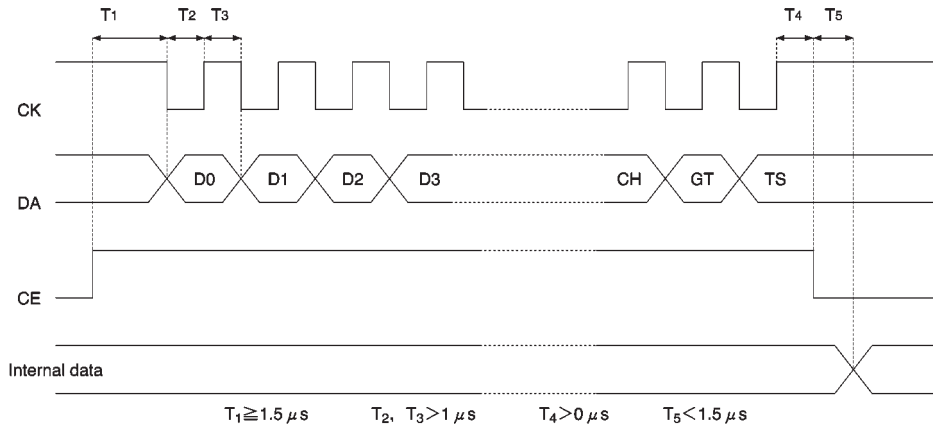
●Electrical characteristics (unless otherwise noted, Ta = 25°C, V_{DD} = 3.0V)

Parameter	Symbol	Min.	Typ.	Max.	Unit	Conditions
Power supply current	I _{DD1}	—	1.5	2.5	mA	FM _{IN} =130MHz, 100mV _{rms}
Quiescent current	I _{DD2}	—	0.2	0.3	mA	No input, PLL=OFF
Input high level voltage	V _{IH}	0.8V _{DD}	—	—	V	CE, CK, DA terminals
Input low level voltage	V _{IL}	—	—	0.2V _{DD}	V	CE, CK, DA terminals
Input high level current 1	I _{IH1}	—	—	1.0	μA	CE, CK, DA terminals V _{IN} =V _{DD}
Input high level current 2	I _{IH2}	—	0.3	0.7	μA	XIN terminals V _{IN} =V _{DD}
Input high level current 3	I _{IH3}	5	10	15	μA	FM _{IN} , AM _{IN} , IF _{IN} terminals V _{IN} =V _{DD}
Input low level current 1	I _{IL1}	−1.0	—	—	μA	CE, CK, DA terminals V _{IN} =V _{SS}
Input low level current 2	I _{IL2}	−0.7	−0.3	—	μA	XIN terminals V _{IN} =V _{SS}
Input low level current 3	I _{IL3}	5	10	−15	μA	FM _{IN} , AM _{IN} , IF _{IN} terminals V _{IN} =V _{SS}
Output low level voltage 1	V _{OL1}	—	0.2	0.5	V	P ₀ P ₁ P ₂ P ₃ CD I _O =1.0mA
Off level leakage current 1	I _{OFF1}	—	—	1.0	μA	P ₀ P ₁ P ₂ P ₃ CD V _O =10V
Output low level voltage 2	V _{OL2}	—	—	0.5	V	FM _{IN} AM _{IN} IF _{IN} I _{OUT} =0.1mA
Output high level voltage	V _{OH}	V _{DD} −1.0	V _{DD} −0.25	—	V	PD I _{OUT} =−1.0mA
Output low level voltage	V _{OL4}	—	0.15	1.0	V	PD I _{OUT} =1.0mA
Off level leakage current 2	I _{OFF2}	—	—	100	nA	PD V _{OUT} =V _{DD}
Off level leakage current 3	I _{OFF3}	−100	—	—	nA	PD V _{OUT} =V _{SS}
Internal feedback resistor 1	R _{F1}	3.8	10	16	MΩ	XIN
Internal feedback resistor 2	R _{F2}	300	500	1000	kΩ	FM _{IN} , AM _{IN} , IF _{IN}
Input frequency 1	F _{IN1}	1	7.2	10	MHz	XIN ,sine wave, C coupling
Input frequency 2	F _{IN2}	10	—	130	MHz	FM _{IN} ,sine wave, C coupling V _{IN} =100mV _{rms}
Input frequency 3	F _{IN3}	0.5	—	30	MHz	AM _{IN} ,sine wave, C coupling V _{IN} =100mV _{rms}
Input frequency 4	F _{IN4}	0.4	—	12	MHz	IF _{IN} ,sine wave, C coupling V _{IN} =100mV _{rms}
Maximum input amplitude	F _{INMAX}	—	—	1.0	V _{rms}	XIN ,FM _{IN} ,AM _{IN} ,IF _{IN} ,sine wave, C coupling
Minimum pulse width	TW	—	1.0	—	μs	CK, DA
Input rise time	TR	—	—	500	ns	CE, CK, DA
Input fall time	TF	—	—	500	ns	CE, CK, DA

© Not designed for radiation resistance.

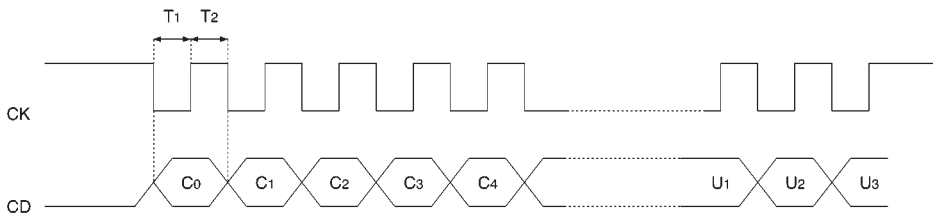
● Circuit operation

• Input data format



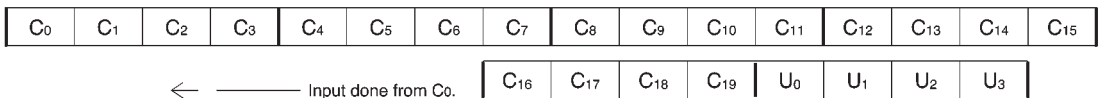
• Output data format

CE output is set to LO.



Figures for output assume the presence of pullup resistance. $T_1, T_2 > 1 \mu s$

Output data format



* Data is output only when CT = 1 or GT = 1.

- Explanation of the data

(1) Division data: For D₀ through D₁₅ (When S = 0, use D₄ through D₁₅.)

D ₀	D ₁	D ₂	D ₃	D ₄	D ₅	D ₆	D ₇	D ₈	D ₉	D ₁₀	D ₁₁	D ₁₂	D ₁₃	D ₁₄	D ₁₅
----------------	----------------	----------------	----------------	----------------	----------------	----------------	----------------	----------------	----------------	-----------------	-----------------	-----------------	-----------------	-----------------	-----------------

Examples:

Divide ratio=1106(D) 1106(D)÷2=553(D)=229(H) S=0, PS=0

0 1 1 0 | 0 1 0 0 | 0 1 0 0 | 0 0 0 0

Divide ratio=1107(D)=453(H) S=1, PS=1

1 1 0 0 | 1 0 1 0 | 0 0 1 0 | 0 0 0 0

Divide ratio=926(D)=39E(H) S=1, PS=0

X X X X | 0 1 1 1 | 1 0 0 1 | 1 1 0 0

- (2) CT: Frequency measurement beginning data
 1: Begins measurement.
 0: Resets internal counter, IFIN goes to pulldown.
- (3) Output port control data:
 1: Open drain output ON
 2: Open drain output OFF
- (4) R₀, R₁, R₂, standard frequency data

Data			Standard frequency
R ₀	R ₁	R ₂	
0	0	0	25kHz
0	0	1	12.5kHz
0	1	0	6.25kHz
0	1	1	10kHz
1	0	0	5kHz
1	0	1	9kHz
1	1	0	1kHz
1	1	1	* PLL OFF

* FMIN = pulldown, AMIN = pulldown, PD = high impedance

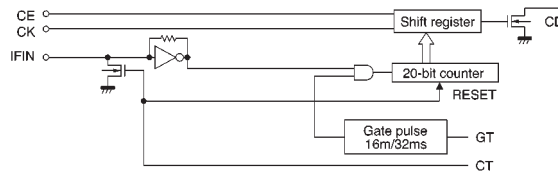
- (5) S: switch between FMIN and AMIN
 0: FMIN 1: AMIN
- (6) PS: If this bit is set to ON while AMIN is selected, swallow counter division is possible.
- (7) GT: Frequency measurement time and unlock detection ON/OFF

CT	GT	Frequency measurement	Unlock detection	Data output
0	0	OFF	OFF	NG
0	1	OFF	ON	OK
1	0	ON Gate time = 16 ms	ON	
1	1	ON Gate time = 32 ms	ON	

(8) TS: Test data (0) is input

• Frequency counter

(1) Structure



(2) How the frequency counter operates

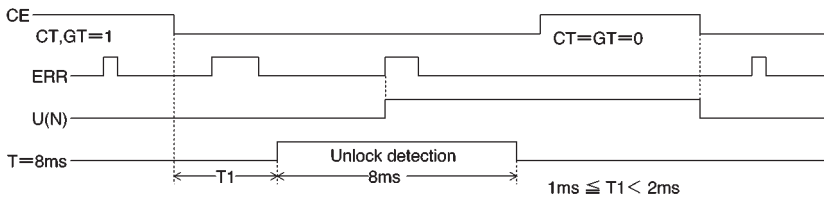
When control data CT equals 1, the 20-bit counter and the amp go into operation. When CT equals 0, amp input goes to pulldown and the counter is reset. Measuring time (gate pulse) is selected (16ms/32ms) on the basis of control data GT. When control data CT equals 0, the counter is reset.

(3) Explanation of output data

D₀: LSB D₁₉: MSB

Unlock detection

When control data GT equals 1, or CT equals 1, the unlock detection circuit goes into operation for 8 ms. When CT equals 1, the unlock detection circuits stops operating before the frequency counter gate pulse is emitted. When CT equals 0, or GT equals 0, the unlock detection circuit is reset.

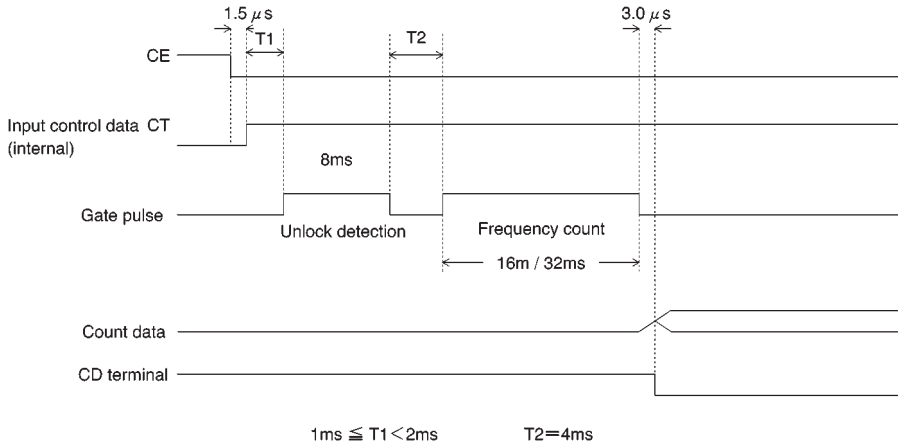


Explanation of the output data

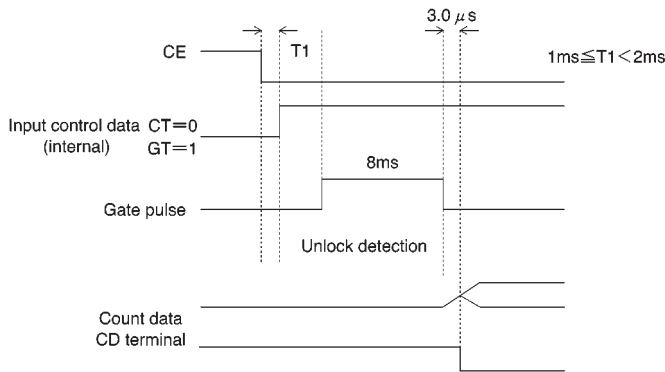
U0	U1	U2	U3	ERR
0	0	0	0	$ERR < 1.1 \mu s$
1	0	0	0	$1.1 \mu s < ERR < 2.2 \mu s$
1	1	0	0	$2.2 \mu s < ERR < 3.3 \mu s$
1	1	1	0	$3.3 \mu s < ERR < 4.4 \mu s$
1	1	1	1	$4.4 \mu s < ERR$

• Frequency counter and unlock detection

(1) When CT = 1: Frequency count and unlock detection are carried out.

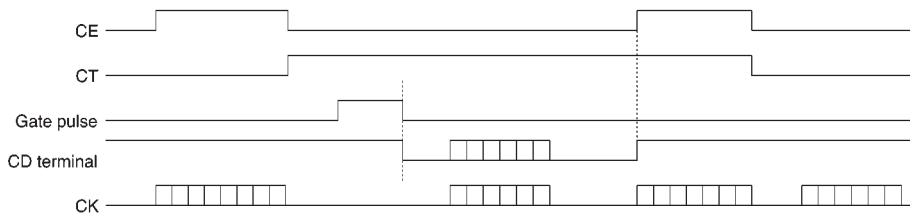


(2) When CT = 0 and GT = 1: Only unlock detection is carried out.



• Explanation of CD

When frequency measurement or unlock detection is finished, the CD terminal goes to LO to indicate that the count and unlock detection have finished. It also synchronizes with CK to output counter data. When the next data is input, it goes to HI.



●Electrical characteristics curves

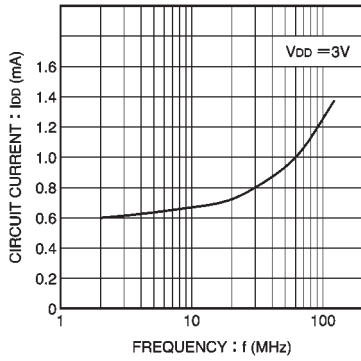


Fig. 1 Operating frequency vs. supply current characteristics

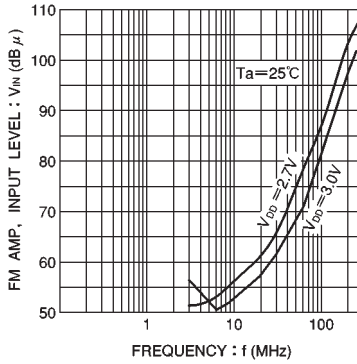


Fig. 2 FM amp input level vs. frequency characteristics

●External dimensions (Units: mm)

