



# BUH2M20AP

## HIGH VOLTAGE NPN SILICON POWER TRANSISTOR

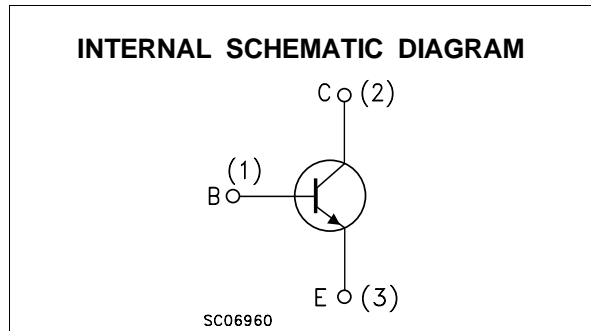
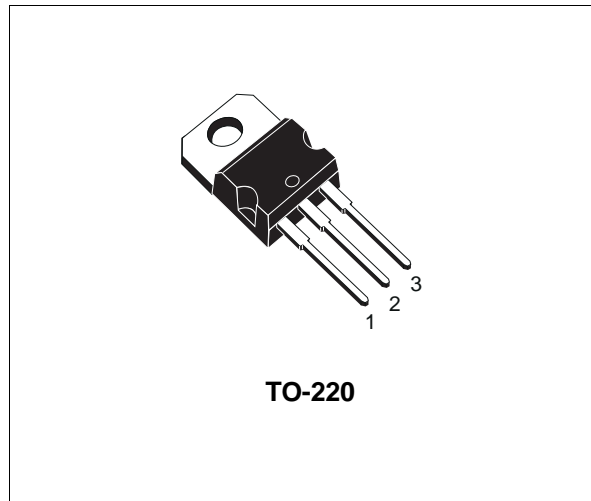
- EXTRA HIGH VOLTAGE CAPABILITY
- LOW OUTPUT CAPACITANCE
- CHARACTERIZED FOR LINEAR MODE OPERATION.

### APPLICATIONS:

- DESIGNED SPECIFICALLY FOR DYNAMIC FOCUS IN CTV AND MONITOR.

### DESCRIPTION

The BUH2M20AP is manufactured using Multi-epitaxial Mesa technology for cost-effective high performance.



### ABSOLUTE MAXIMUM RATINGS

Symbol	Parameter	Value	Unit
$V_{CBO}$	Collector-Base Voltage ( $I_E = 0$ )	2000	V
$V_{CEO}$	Collector-Emitter Voltage ( $I_B = 0$ )	1200	V
$V_{EBO}$	Emitter-Base Voltage ( $I_C = 0$ )	5	V
$I_C$	Collector Current	30	mA
$I_{CM}$	Collector Peak Current ( $t_p < 5$ ms)	40	mA
$P_{tot}$	Total Dissipation at $T_c = 25$ °C	20	W
$T_{stg}$	Storage Temperature	-65 to 150	°C
$T_j$	Max. Operating Junction Temperature	150	°C

# BUH2M20AP

## THERMAL DATA

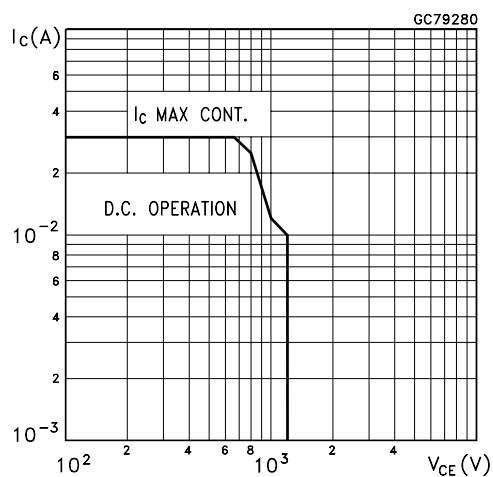
R <sub>thj-case</sub>	Thermal Resistance Junction-case	Max	6.25	°C/W
-----------------------	----------------------------------	-----	------	------

## ELECTRICAL CHARACTERISTICS (T<sub>case</sub> = 25 °C unless otherwise specified)

Symbol	Parameter	Test Conditions	Min.	Typ.	Max.	Unit
I <sub>CBO</sub>	Collector Cut-off Current (I <sub>E</sub> = 0)	V <sub>CE</sub> = 2000 V			5	μA
I <sub>EBO</sub>	Emitter Cut-off Current (I <sub>C</sub> = 0)	V <sub>EB</sub> = 4 V			10	μA
V <sub>CEO</sub>	Collector-Emitter Breakdown Voltage	I <sub>C</sub> = 1 mA	1200			V
V <sub>EBO</sub>	Emitter-Base Voltage (I <sub>C</sub> = 0)	I <sub>E</sub> = 10 μA	5			V
V <sub>CE(sat)*</sub>	Collector-Emitter Saturation Voltage	I <sub>C</sub> = 2 mA      I <sub>B</sub> = 400 μA			5	V
V <sub>BE(sat)*</sub>	Base-Emitter Saturation Voltage	I <sub>C</sub> = 2 mA      I <sub>B</sub> = 400 μA			2	V
h <sub>FE*</sub>	DC Current Gain	I <sub>C</sub> = 2 mA      V <sub>CE</sub> = 10 V I <sub>C</sub> = 10 mA      V <sub>CE</sub> = 10 V	10 10			
C <sub>ob</sub>	Output Capacitance	V <sub>CB</sub> = 100 V      I <sub>C</sub> = 0      f = 1MHz		3		pF

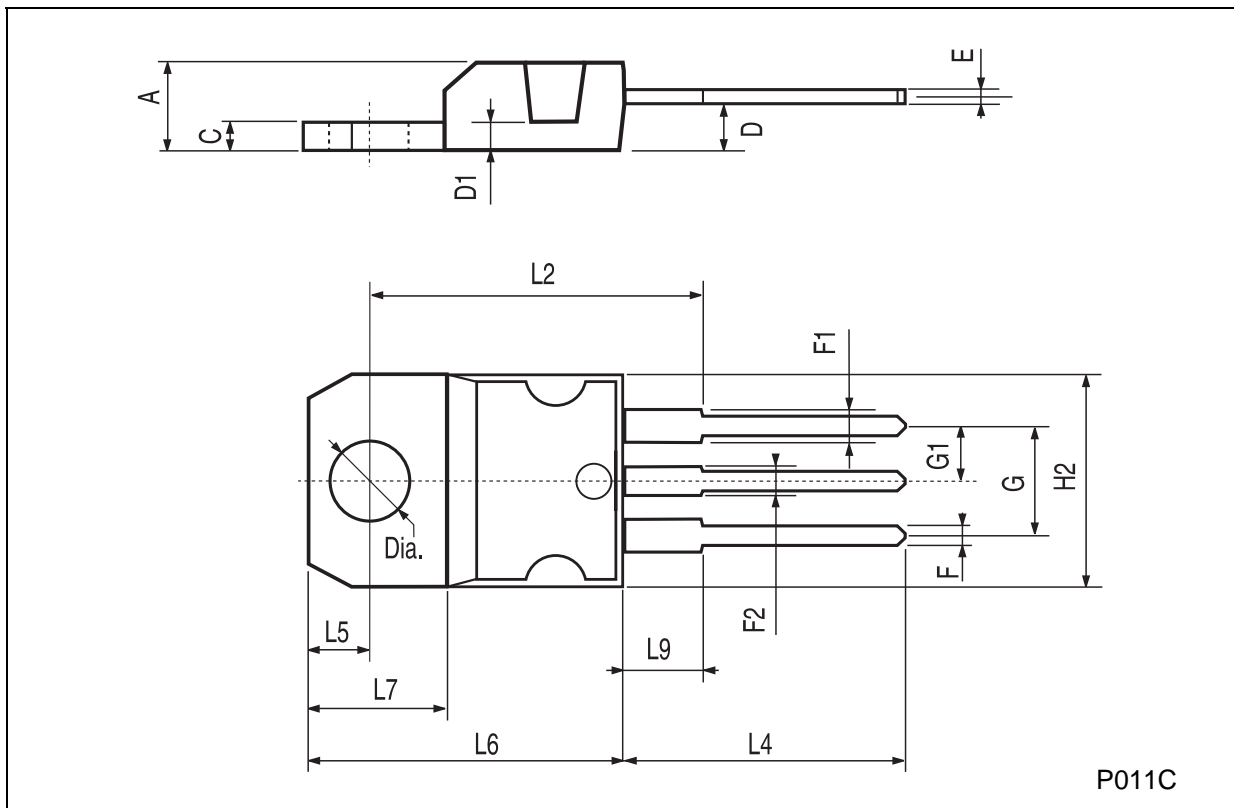
\* Pulsed: Pulse duration = 300 μs, duty cycle 1.5 %

## Safe Operating Area



**TO-220 MECHANICAL DATA**

DIM.	mm			inch		
	MIN.	TYP.	MAX.	MIN.	TYP.	MAX.
A	4.40		4.60	0.173		0.181
C	1.23		1.32	0.048		0.051
D	2.40		2.72	0.094		0.107
D1		1.27			0.050	
E	0.49		0.70	0.019		0.027
F	0.61		0.88	0.024		0.034
F1	1.14		1.70	0.044		0.067
F2	1.14		1.70	0.044		0.067
G	4.95		5.15	0.194		0.203
G1	2.4		2.7	0.094		0.106
H2	10.0		10.40	0.393		0.409
L2		16.4			0.645	
L4	13.0		14.0	0.511		0.551
L5	2.65		2.95	0.104		0.116
L6	15.25		15.75	0.600		0.620
L7	6.2		6.6	0.244		0.260
L9	3.5		3.93	0.137		0.154
DIA.	3.75		3.85	0.147		0.151



P011C

Information furnished is believed to be accurate and reliable. However, STMicroelectronics assumes no responsibility for the consequences of use of such information nor for any infringement of patents or other rights of third parties which may result from its use. No license is granted by implication or otherwise under any patent or patent rights of STMicroelectronics. Specification mentioned in this publication are subject to change without notice. This publication supersedes and replaces all information previously supplied. STMicroelectronics products are not authorized for use as critical components in life support devices or systems without express written approval of STMicroelectronics.

The ST logo is a registered trademark of STMicroelectronics

© 1998 STMicroelectronics – Printed in Italy – All Rights Reserved

STMicroelectronics GROUP OF COMPANIES

Australia - Brazil - Canada - China - France - Germany - Italy - Japan - Korea - Malaysia - Malta - Mexico - Morocco - The Netherlands - Singapore - Spain - Sweden - Switzerland - Taiwan - Thailand - United Kingdom - U.S.A.