

**BYD17ZDLH THRU BYD17ZMLH**  
**Low VF Rectifier Diode**

● **FEATURES**

- \* Halogen-free type
- \* Compliance to RoHS product
- \* GPRC (Glass passivated rectifier chip) inside
- \* Glass passivated cavity-free junction
- \* Low forward voltage drop
- \* 1.0 Ampere operation at TA=75°C with no thermal runaway
- \* Plastic package has Underwriters Laboratory Flammability Classification 94V-0

● **APPLICATION**

- \* General purpose rectification
- \* Surge absorption

● **MECHANICAL DATA**

**Case :** Packed with FRP substrate and epoxy underfilled

**Terminals :** Pure Tin plated (Lead-Free), solderable per MIL-STD-750, Method 2026.

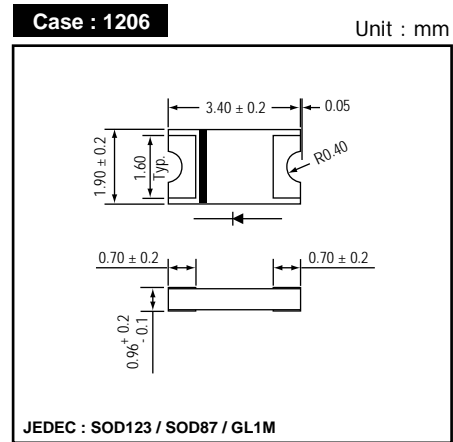
**Polarity :** Laser Cathode band marking

**Weight :** 0.012 gram

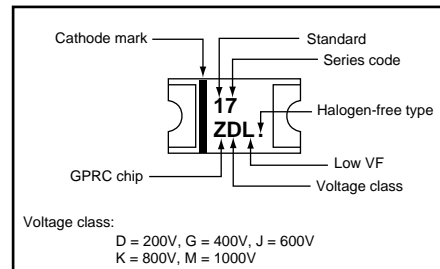
● **PACKING**

- \* 3,000 pieces per 7" (178mm ± 2mm) reel
- \* 4 reels per box
- \* 6 boxes per carton

● **OUTLINE DIMENSIONS**



● **MARKING**



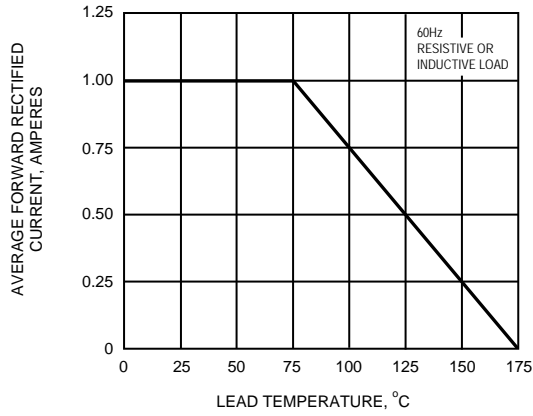
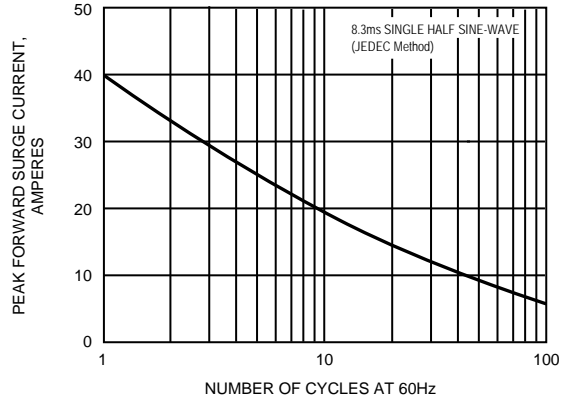
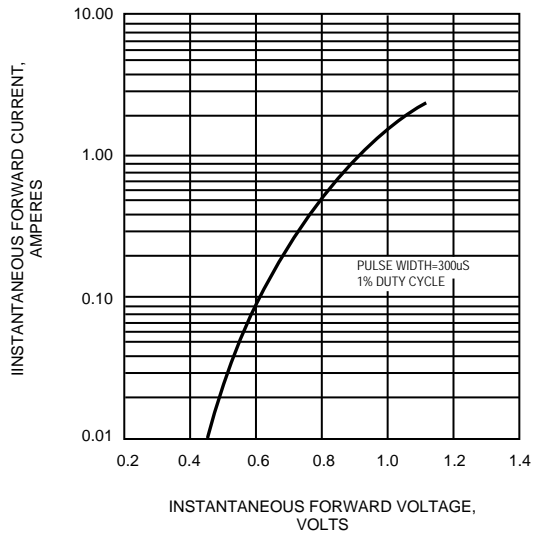
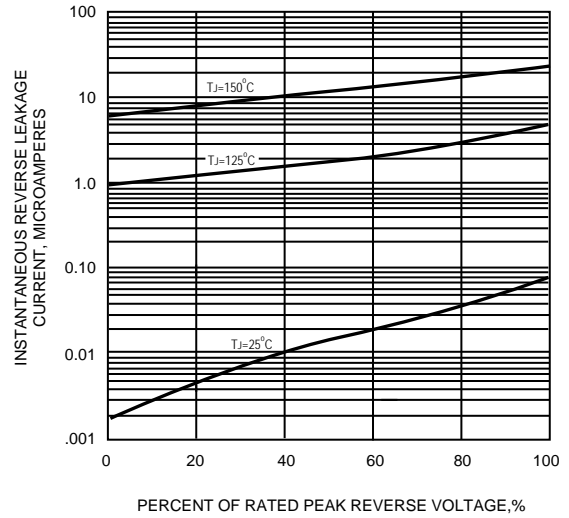
**Absolute Maximum Ratings (Ta = 25 °C)**

ITEM	Symbol	Rating					Unit
		BYD17ZDLH	BYD17ZGLH	BYD17ZJLH	BYD17ZKLH	BYD17ZMLH	
Repetitive peak reverse voltage	VRRM	200	400	600	800	1000	V
Average forward current	IF(AV)	1.0					A
Peak forward surge current (8.3ms single half sine-wave)	IFSM	40					
Operating junction temperature Range	Tj	-65 to +175					°C
Operating junction and storage temperature Range	TSTG	-65 to +175					

**Electrical characteristics (Ta = 25 °C)**

ITEM	Symbol	Conditions	Min.	Typ.	Max.	Unit
Forward voltage	VF	IF = 1.0A	-	0.91	0.93	V
Repetitive peak reverse current	IRRM	VR = Max. VRRM , Ta = 25 °C	-	0.08	5	uA
Junction capacitance	Cj	VR = 4V, f = 1.0 MHz	-	12	-	pF
Thermal resistance	Rth(JA)	Junction to ambient (NOTES)	-	130	-	°C/W
	Rth(JL)	Junction to lead (NOTES)	-	45	-	

NOTES : (1) Thermal resistance from junction to ambient and from junction to lead P.C.B. mounted on 0.2 x 0.2" (5.0 x 5.0mm) copper pad areas.  
(2) Preliminary draft.

**FIG.1 - FORWARD CURRENT DERATING CURVE**

**FIG.2 - MAXIMUM NON-REPETITIVE PEAK FORWARD SURGE CURRENT**

**FIG.3 - TYPICAL INSTANTANEOUS FORWARD CHARACTERISTICS**

**FIG.4 - TYPICAL REVERSE CHARACTERISTICS**

**FIG.5 - TYPICAL JUNCTION CAPACITANCE**
