

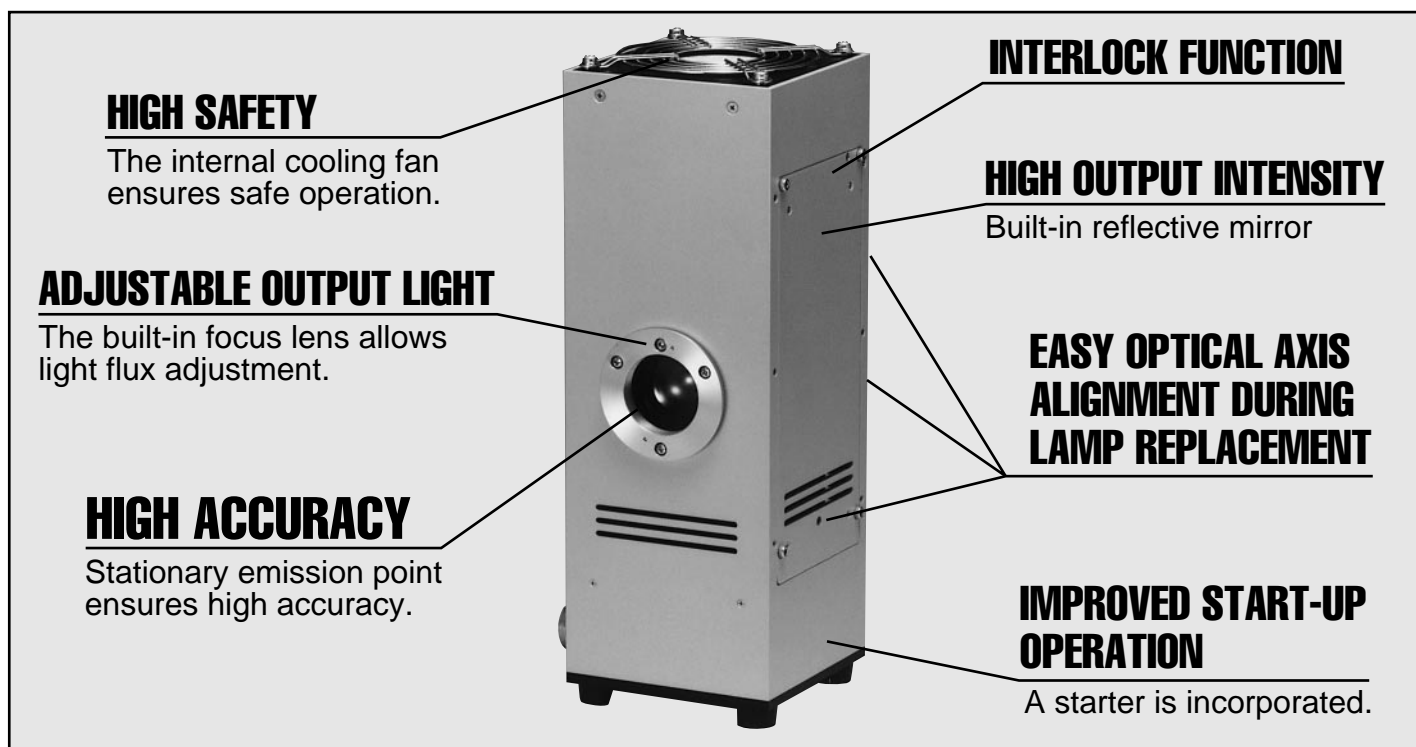


For 150 W/200 W
Xenon lamps and Mercury-Xenon lamps

NEW

HIGH PRECISION LAMP HOUSING E7536

PATENT PENDING



TL5XF0129

FEATURES

● High accuracy

The E7536 lamp housing was designed to extract the full capabilities of lamps. One example of this is the stationary emission point which ensures high accuracy and easy optical design. The E7536 also delivers high output stability, making it ideally suited for high-precision photometric applications. Light output stability(p-p) is better than 0.3 % Typ. (when used with a Hamamatsu Xenon lamps) or 1.0 % Typ. (when used with a Hamamatsu Mercury-Xenon lamps).

● High output intensity and collimated light flux

A reflective mirror and focus lens are incorporated. The mirror collects light from a lamp very efficiently to obtain a high output of over 1.5 times. The focus lens can be used to provide collimated light output.

● Built-in starter for improved lamp start-up operation

The built-in starter prevents high-voltage leakage, thus improving start-up operation of the lamp and also minimizing noise which might otherwise occur at lamp start-up.

● Adjustable light flux

The focus lens can be moved back and forth by turning the screw on the front flange (with the accessory tool), to adjust the output light flux. The desired light flux can be easily obtained to match your specific application.

● Easy optical axis adjustment during lamp replacement

The optical axis can be easily adjusted by using the accessory tool, without removing any lamp housing covers. Three adjustment screws are provided in easy-to-access positions: one on the side of the housing (for right-left movement of the lamp), one at the upper part on the rear (for vertical movement of the lamp), and one in the center on the rear (for back and forth movement of the mirror).

● Interlock function

If the side cover becomes loose or the temperature in the lamp housing rises to an abnormal level, the interlock function triggers automatically to stop lamp operation.

● High safety

The built-in cooling fan maintains the surface temperature of the lamp housing to a safe level below +40 °C.

HAMAMATSU

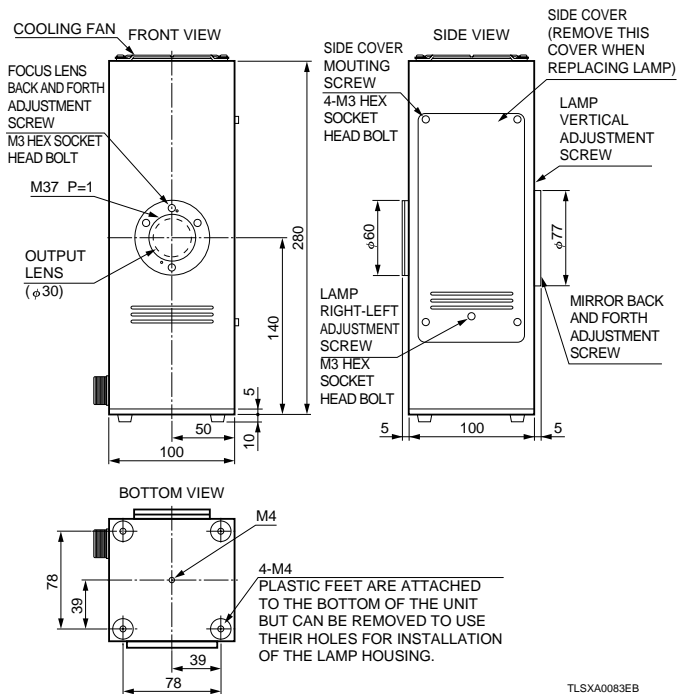
FEATURES

HIGH PRECISION LAMP HOUSING

Parameter		Description/Value				
Lamp	Suitable Lamps (Rating and kind)	150 W Xenon Lamps	150 W Mercury-Xenon Lamps	150 W (GS) Xenon Lamps	200 W Mercury-Xenon Lamps	
	Suitable Lamps Type No.	Fused Silica Window	L2175	L2482	L2273	L2423
		Ozone-free Silica Window	L2195	L7047	L2274	L2570
	Lamp Current	7.5 A		8.5 A	8.0 A	
Lamp Voltage	20 V Typ.		18 V Typ.	24 V Typ.		
Optical	Focus Lens	Material	Fused Silica			
		Dimension	φ30 mm			
		Focal Point	F = 30 mm (550 nm)			
	Reflective Mirror	Light Output	Collimating			
		Material	BK7 Al + MgF ₂ Coating (All reflection)			
		Dimension	φ30 mm			
Optical Axis Height	Curvature	R = 30 mm				
	Optical Axis Height	140 mm (exclude plastic feet height)				
Starter Output Voltage	30 kV Typ.					
Cooling Function	Forced Air Cooling (Built-in automatic cooling fan [Ⓐ])					
Operating Ambient Temperature	0 °C to +40 °C					
Recommended Operating Temperature	+5 °C to +35 °C					
Operating Humidity	30 % to 90 % (without moisture condensation)					
Dimensions (W × H × D)	100 mm × 100 mm × 280 mm (exclude projection part)					
Weight	Approx. 3.5 kg					
Suitable Power Supply Type No.	C4263, C7535		C4264, C7535	C7535		

NOTE: Ⓐ The cooling fan automatically starts when the temperature rises inside the lamp housing.

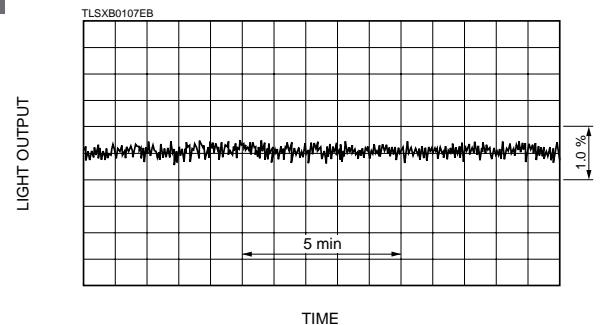
DIMENSIONAL OUTLINES (Unit: mm)



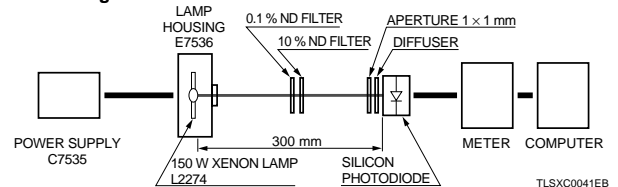
APPLICATIONS

- Light sources in various experiments
- Light sources in spectrophotometry

STABILITY



Block Diagram for Measurement



* PATENT PENDING: JAPAN 2

Subject to local technical requirements and regulations, availability of products included in this promotional material may vary. Please consult with our sales office.

Information furnished by HAMAMATSU is believed to be reliable. However, no responsibility is assumed for possible inaccuracies or omissions. Specifications are subject to change without notice. No patent rights are granted to any of the circuits described herein. ©1999 Hamamatsu Photonics K.K

HAMAMATSU

HAMAMATSU PHOTONICS K.K., Electron Tube Center

314-5, Shimokanzo, Toyooka-village, Iwata-gun, Shizuoka-ken, 438-0193, Japan, Telephone: (81)539/62-5248, Fax: (81)539/62-2205

U.S.A.: Hamamatsu Corporation: 360 Foothill Road, P. O. Box 6910, Bridgewater, N.J. 08807-0910, U.S.A., Telephone: (1)908-231-0960, Fax: (1)908-231-1218

Germany: Hamamatsu Photonics Deutschland GmbH: Arzbergerstr. 10, D-82211 Herrsching am Ammersee, Germany, Telephone: (49)8152-375-0, Fax: (49)8152-2658

France: Hamamatsu Photonics France S.A.R.L.: 8, Rue du Saule Trapu, Parc du Moulin de Massy, 91882 Massy Cedex, France, Telephone: (33)1 69 53 71 00, Fax: (33)1 69 53 71 10

United Kingdom: Hamamatsu Photonics UK Limited: Lough Point, 2 Gladbeck Way, Windmill Hill, Enfield, Middlesex EN2 7JA, United Kingdom, Telephone: 44(20)8-367-3560, Fax: 44(20)8-367-6384

North Europe: Hamamatsu Photonics Norden AB: Smidesvägen 12, SE-171-41 SOLNA, Sweden, Telephone: (46)8-509-031-00, Fax: (46)8-509-031-01

Italy: Hamamatsu Photonics Italia: S.R.L.: Strada della Moia, 1/E, 20020 Arese, (Milano), Italy, Telephone: (39)02-935 81 733, Fax: (39)02-935 81 741

TLSX1030E02
NOV. 1999 SI
(500)