
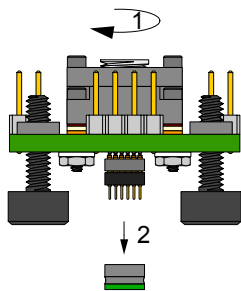
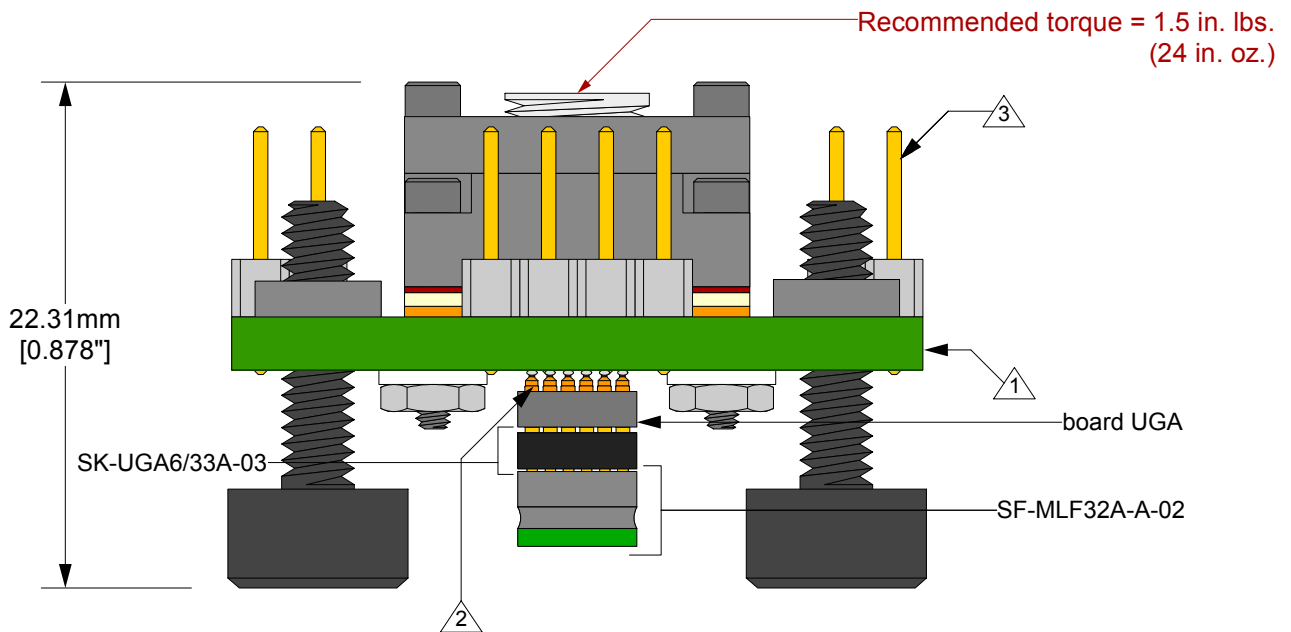


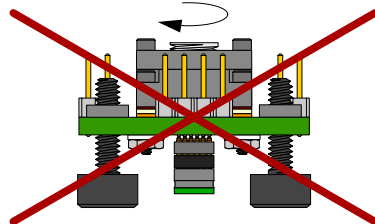
**Description:** Carrier Adaptor  
 32 position MLF ZIF socket to 32 position surface mountable MLF emulator foot with test probes.  
 Pin assignment/ interconnect 1:1.

**Tolerances:** diameters  $\pm 0.03\text{mm}$  [ $\pm 0.001$ "], PCB perimeters  $\pm 0.13\text{mm}$  [ $\pm 0.005$ "], PCB thicknesses  $\pm 0.18\text{mm}$  [ $\pm 0.007$ "], pitches (from true position)  $\pm 0.08\text{mm}$  [ $\pm 0.003$ "], all other tolerances  $\pm 0.13\text{mm}$  [ $\pm 0.005$ "] unless stated otherwise. Materials and specifications are subject to change without notice.

	<b>CA-MLF32A-A-Z-T-01 Drawing</b> © 2004 IRONWOOD ELECTRONICS, INC. PO BOX 21151 ST. PAUL, MN 55121 Tele: (651) 452-8100 www.ironwoodelectronics.com	Status: Released	Scale: 3:1	Rev: B
		Drawing: H. Hansen		Date: 4/5/04
		File: CA-MLF32A-A-Z-T-01 Dwg		Modified: 9/26/05



Apply torque and then plug into SF-MLF foot.




**NOTE:** Do not apply torque when assembly is plugged into SF-MLF foot.

- ① Substrate: 2.34mm ±0.18mm [0.092" ±0.007"] FR4/G10 or equivalent high temp material. 17µm [1/2 oz.] Cu clad. SnPb plating.
- ② Pins: material- Brass Alloy 360 1/2 hard; finish- 0.25µm [10µ"] Au over 1.27µm [50µ"] Ni (min.).
- ③ Test points: material- Phosphor Bronze; plating- Sn over 1.27µm [50µ"] Ni. Gold flash on contact end.

**User Instructions:**

1. Attach SF-MLF32A-A-02 foot to the target board.
2. Turn plastic thumb screws until head touches bottom of CA-MLF32A-A-Z-T-01 board.
3. Insert SK-UGA6/33A-03 into board UGA. Check orientation.
4. Remove socket lid and compression plate.
5. Insert MLF package into IC guide inside socket cavity.
6. Put compression plate and socket lid in place.
7. Hold socket assembly and apply recommended torque.
8. Carefully insert CA-MLF assembly into SF-MLF feet UGA. Check orientation.
9. Unscrew plastic thumb screws until they hit target board.

	<b>CA-MLF32A-A-Z-T-01 Drawing</b>	Status: Released	Scale: 3:1	Rev: B
	© 2004 IRONWOOD ELECTRONICS, INC. PO BOX 21151 ST. PAUL, MN 55121 Tele: (651) 452-8100 www.ironwoodelectronics.com	Drawing: H. Hansen		Date: 4/5/04
		File: CA-MLF32A-A-Z-T-01 Dwg	Modified: 6/26/05	