

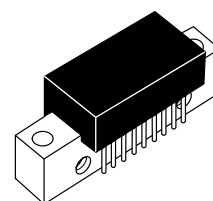
The RF Line VHF/UHF CATV Amplifier

... designed for broadband applications requiring low-distortion and high output capability. Specifically intended for CATV/MATV market requirements. These amplifiers feature ion-implanted arsenic emitter transistors and an all gold metal system.

- Specified Characteristics at $T_C = 25^\circ\text{C}$; $V_{CC} = 15\text{ V}$
 Frequency Range — 40 to 860 MHz
 Power Gain — 17 dB Typ @ $f = 40\text{ MHz}$
 Noise Figure — 7.0 dB Typ @ $f = 500\text{ MHz}$
 123 dB μV DIN45004B @ 860 MHz
- All Gold Metallization for Improved Reliability
- Superior Gain, Return Loss and DC Current Stability with Temperature

CA912

17 dB
40–860 MHz
VHF/UHF
CATV/MATV
AMPLIFIER



CASE 714P-03, STYLES 2, 3

MAXIMUM RATINGS ($T_A = 25^\circ\text{C}$ unless otherwise noted)

Rating	Symbol	Value	Unit
Supply Voltage	V_{CC}	18	V
RF Input Power Per Tone	P_{in}	+17	dBm
Storage Temperature	T_{stg}	-40 to +100	$^\circ\text{C}$
Operating Case Temperature Range	T_C	-20 to +100	$^\circ\text{C}$

ELECTRICAL CHARACTERISTICS ($T_C = 25^\circ\text{C}$, $V_{CC} = 15\text{ V}$, 75 Ohm System)

Characteristic	Symbol	Min	Typ	Max	Unit
Supply Current	I_{DC}	640	700	760	mA
Power Gain ($f = 40\text{ MHz}$)	PG	16.5	17	17.5	dB
Bandwidth	BW	40	—	860	MHz
Slope (40–860 MHz)	S	0.2	0.8	1.5	dB
Gain Flatness	FL	—	—	1.0	dB
Input/Output Return Loss $f = 40 - 100\text{ MHz}$ $f = 100 - 800\text{ MHz}$ $f = 800 - 860\text{ MHz}$	IRL/ORL	20 15 10	— 17 12	— — —	dB
Second Order Intermodulation Distortion ($V_o = +50\text{ dBmV/ch.}$)	IMD_2	—	—	-67	dB
DIN45004B (See Figure 1) $f = 40 - 400\text{ MHz}$ $f = 400 - 860\text{ MHz}$	DIN	124 123	— —	— —	dB μV
Noise Figure $f = 500\text{ MHz}$ $f = 860\text{ MHz}$	NF	— —	7.0 8.0	8.5 9.5	dB

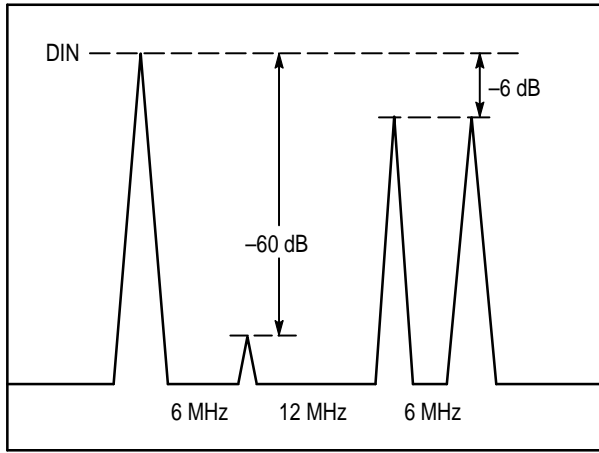
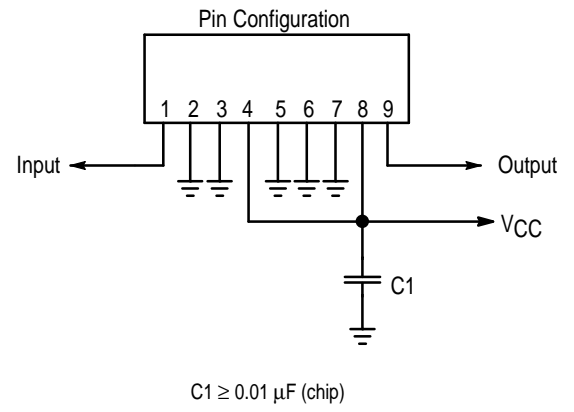
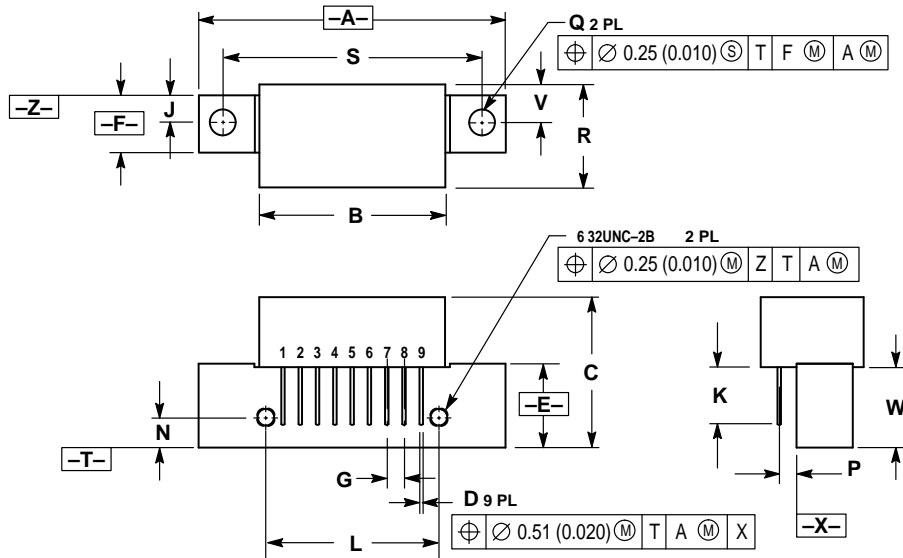


Figure 1. DIN45004B Test



**Figure 2. External Connections
Case 714P-03, Style 3**

PACKAGE DIMENSIONS



NOTES:
 1. DIMENSIONING AND TOLERANCING PER ANSI Y14.5M, 1982.
 2. CONTROLLING DIMENSION: INCH.

DIM	INCHES		MILLIMETERS	
	MIN	MAX	MIN	MAX
A	—	1.775	—	45.08
B	—	1.085	—	27.56
C	—	0.870	—	22.10
D	0.018	0.022	0.46	0.56
E	0.465	0.510	11.81	12.95
F	0.300	0.325	7.62	8.25
G	0.100 BSC		2.54 BSC	
J	0.156 BSC		3.96 BSC	
K	0.330	0.370	8.38	9.40
L	1.000 BSC		25.40 BSC	
N	0.165 BSC		4.19 BSC	
P	0.100 BSC		2.54 BSC	
Q	0.148	0.168	3.76	4.27
R	—	0.595	—	15.11
S	1.500 BSC		38.10 BSC	
V	0.209	0.239	5.31	6.07
W	0.425	—	10.80	—


STYLE 2:

- PIN 1. RF INPUT
- 2. GROUND
- 3. GROUND
- 4. RESISTOR-GROUND
- 5. GROUND
- 6. GROUND
- 7. GROUND
- 8. V_{CC} 1
- 9. RF OUTPUT

STYLE 3:

- PIN 1. RF INPUT
- 2. GROUND
- 3. GROUND
- 4. V_{CC} 1
- 5. GROUND
- 6. GROUND
- 7. GROUND
- 8. V_{CC} 2
- 9. RF OUTPUT

**CASE 714P-03
 ISSUE B**

Motorola reserves the right to make changes without further notice to any products herein. Motorola makes no warranty, representation or guarantee regarding the suitability of its products for any particular purpose, nor does Motorola assume any liability arising out of the application or use of any product or circuit, and specifically disclaims any and all liability, including without limitation consequential or incidental damages. "Typical" parameters which may be provided in Motorola data sheets and/or specifications can and do vary in different applications and actual performance may vary over time. All operating parameters, including "Typicals" must be validated for each customer application by customer's technical experts. Motorola does not convey any license under its patent rights nor the rights of others. Motorola products are not designed, intended, or authorized for use as components in systems intended for surgical implant into the body, or other applications intended to support or sustain life, or for any other application in which the failure of the Motorola product could create a situation where personal injury or death may occur. Should Buyer purchase or use Motorola products for any such unintended or unauthorized application, Buyer shall indemnify and hold Motorola and its officers, employees, subsidiaries, affiliates, and distributors harmless against all claims, costs, damages, and expenses, and reasonable attorney fees arising out of, directly or indirectly, any claim of personal injury or death associated with such unintended or unauthorized use, even if such claim alleges that Motorola was negligent regarding the design or manufacture of the part. Motorola and  are registered trademarks of Motorola, Inc. Motorola, Inc. is an Equal Opportunity/Affirmative Action Employer.

Mfax is a trademark of Motorola, Inc.

How to reach us:

USA/EUROPE/Locations Not Listed: Motorola Literature Distribution;
P.O. Box 5405, Denver, Colorado 80217. 303-675-2140 or 1-800-441-2447

JAPAN: Nippon Motorola Ltd.: SPD, Strategic Planning Office, 4-32-1,
Nishi-Gotanda, Shinagawa-ku, Tokyo 141, Japan. 81-3-5487-8488

Mfax™: RMFAX0@email.sps.mot.com – TOUCHTONE 602-244-6609
– US & Canada ONLY 1-800-774-1848

ASIA/PACIFIC: Motorola Semiconductors H.K. Ltd.; 8B Tai Ping Industrial Park,
51 Ting Kok Road, Tai Po, N.T., Hong Kong. 852-26629298

INTERNET: <http://motorola.com/sps>

