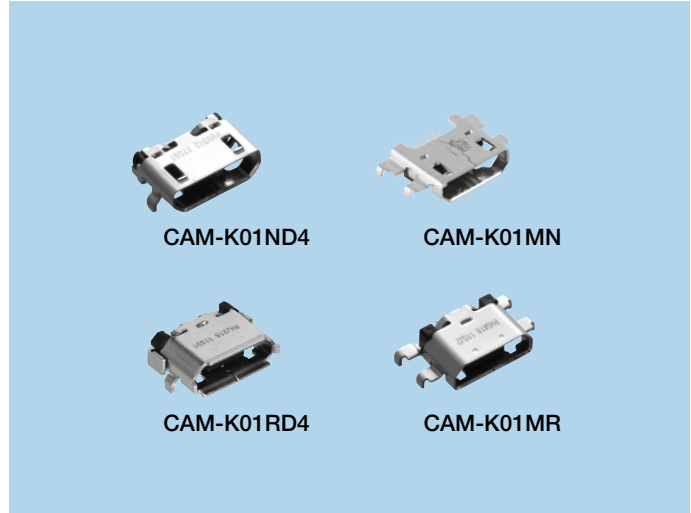


Micro-USB Connectors “Micro-B Series” CAM-K01 Series

FEATURES

1. Compatible with Micro-USB standards. (USB2.0)
2. Small and more durable than Mini-USB connectors.
3. Soldering area to make connectors more reliable.



CAM-K01 Series LIST

Model	Receptacle	Connector Type
CAM-K01ND4	Normal type	TypeB
CAM-K01MN	Midmount Normal type.	
CAM-K01RD4	Reverse type.	
CAM-K01MR	Midmount Reverse type.	

HOW TO ORDER

1. CAM-K01ND4

K01ND4-005-24 0-A C G M A
 1 2 3 4 5 6 7 8 9

- 1 Series No. (K01ND4)
- 2 No. of contacts (005 : 5pins)
- 3 Housing material (24 : PA4T resin)
- 4 UL grade (0 : UL94V-0)
- 5 Contact plating (A : Gold)
- 6 Contact plating thickness (C : 0.76µm)
- 7 Contact style (G : Angle SMT)
- 8 Coupling side accessories (M : Shield Case)
- 9 Board side accessories (A : None)

2. CAM-K01MN

K01MN-005-24 0-A C G M A
 1 2 3 4 5 6 7 8 9

- 1 Series No. (K01MN)
- 2 No. of contacts (005 : 5pins)
- 3 Housing material (24 : PA4T resin)
- 4 UL grade (0 : UL94V-0)
- 5 Contact plating (A : Gold)
- 6 Contact plating thickness (C : 0.76µm)
- 7 Contact style (G : Angle SMT)
- 8 Coupling side accessories (M : Shield Case)
- 9 Board side accessories (A : None)

3. CAM-K01RD4

K01RD4-005-24 0-A C E M A
 1 2 3 4 5 6 7 8 9

- 1 Series No. (K01RD4)
- 2 No. of contacts (005 : 5pins)
- 3 Housing material (23 : PA9T resin, 24 : PA4T resin, 25 : PA10T resin)
- 4 UL grade (0 : UL94V-0)
- 5 Contact plating (A : Gold)
- 6 Contact plating thickness (C : 0.76μm)
- 7 Contact style (E : Straigh SMT)
- 8 Coupling side accessories (M : Shield Case)
- 9 Board side accessories (A : None)

4. CAM-K01MR

K01MR-005-24 0-A C E M A
 1 2 3 4 5 6 7 8 9

- 1 Series No. (K01MR)
- 2 No. of contacts (005 : 5pins)
- 3 Housing material (24 : PA4T resin)
- 4 UL grade (0 : UL94V-0)
- 5 Contact plating (A : Gold)
- 6 Contact plating thickness (C : 0.76μm)
- 7 Contact style (E : Straigh SMT)
- 8 Coupling side accessories (M : Shield Case)
- 9 Board side accessories (A : None)

SPECIFICATIONS

ELECTRICAL CHARACTERISTICS

Rated Voltage	5V AC (rms)
Rated Current	When power is being applied on the power supply terminal; 1.8A/1 contact (No. 1&5 pin) When power is being applied on the signal terminal; 1A/1 contact (No. 2&3&4 pin)
Withstanding Voltage	100V AC (rms) 1minute
Contact Resistance	30mΩ max.

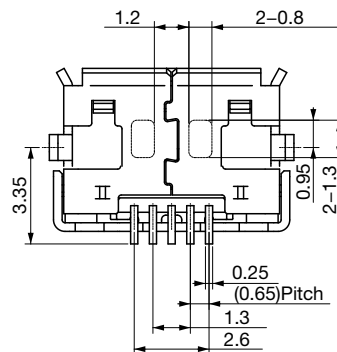
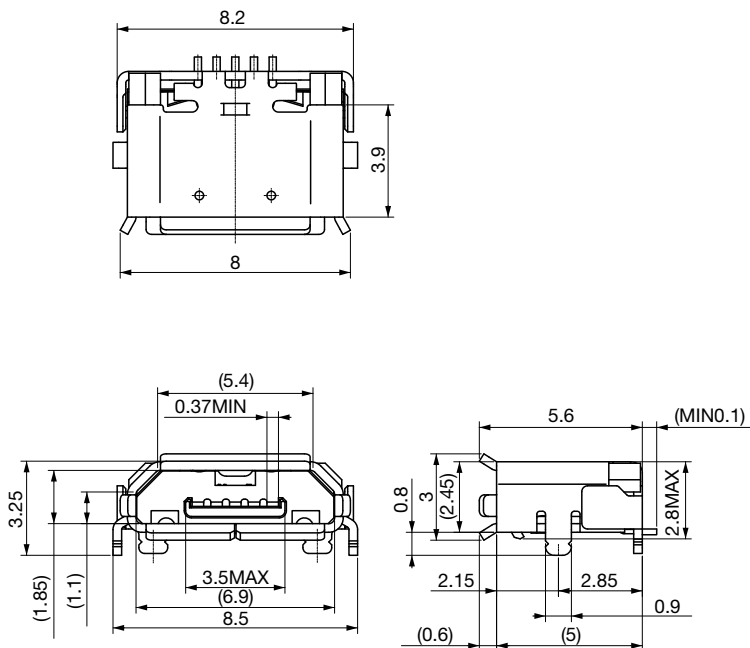
MECHANICAL CHARACTERISTICS

Life (Matching Cycle)	10,000 times
Total Insertion Force	35N(3.57kgf) max.
Total Withdrawal Force	Beginning 8N(0.82kgf) min. After 10,000 times 8~20N(0.82~2.04kgf)

MATERIAL & FINISH

Component Parts		Material	Finish
CAM-K01 Series	Housing	PA4T	Black
	Contact Pin	Copper alloy	Gold plating
	Shield Case	SUS	Nickel plating

CAM-K01RD4

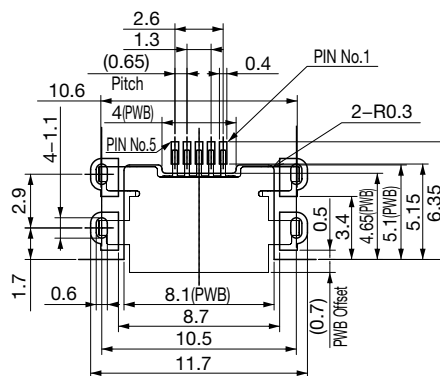
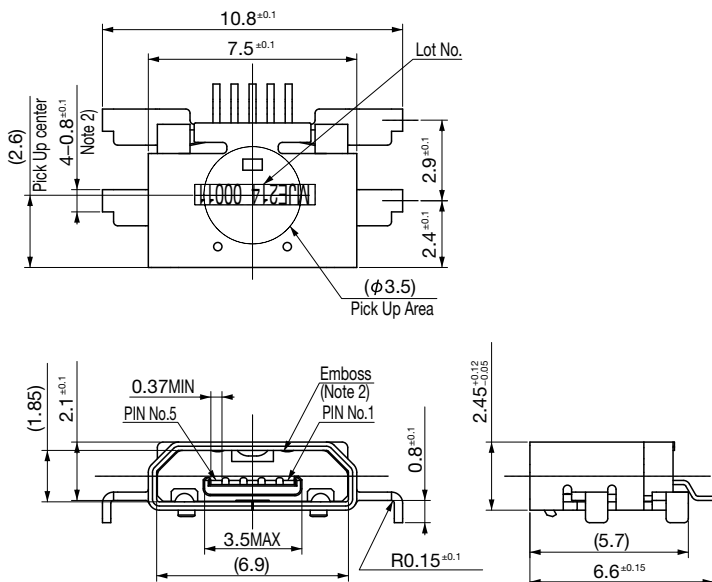


Recommended PWB (Parts surface) : Tolerance ±0.05

Notes

- 1) Correspond to Micro-USB specification.
- 2) Provides an emboss shape.
- 3) The product is made for reflow mounting. The soldering area of the dip part is reduced to prevent the solder from going up to the connector.
- 4) It applies a fluorinated lubricant to the illustration range.

CAM-K01MR



Recommended PWB (Parts surface) : Tolerance ±0.05

Notes

- 1) Correspond to Micro-USB specification.
- 2) Provides an emboss shape. Purpose for peeling strength up, provides 4 portion of DIP shape.
- 3) It applies a fluorinated lubricant to the illustration range.
- 4) PWB thickness : 0.8mm.

Unit : mm