



CAT22C10

256-Bit Nonvolatile CMOS Static RAM

FEATURES

- Single 5V Supply
- Fast RAM Access Times:
 - 200ns
 - 300ns
- Infinite E²PROM to RAM Recall
- CMOS and TTL Compatible I/O
- Power Up/Down Protection
- 100,000 Program/Erase Cycles (E²PROM)
- Low CMOS Power Consumption:
 - Active: 40mA Max.
 - Standby: 30 μA Max.
- JEDEC Standard Pinouts:
 - 18-pin DIP
 - 16-pin SOIC
- 10 Year Data Retention
- Commercial, Industrial and Automotive Temperature Ranges

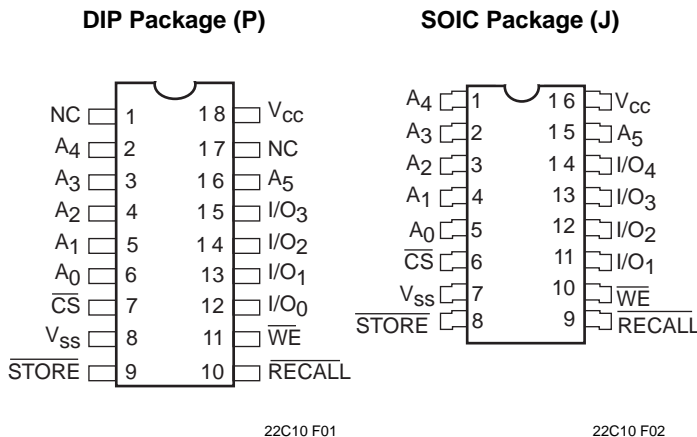
DESCRIPTION

The CAT22C10 NVRAM is a 256-bit nonvolatile memory organized as 64 words x 4 bits. The high speed Static RAM array is bit for bit backed up by a nonvolatile E²PROM array which allows for easy transfer of data from RAM array to E²PROM (STORE) and from E²PROM to RAM (RECALL). STORE operations are completed in 10ms max. and RECALL operations typically within 1.5μs. The CAT22C10 features unlimited RAM write operations either through external RAM

writes or internal recalls from E²PROM. Internal false store protection circuitry prohibits STORE operations when V_{CC} is less than 3.0V.

The CAT22C10 is manufactured using Catalyst's advanced CMOS floating gate technology. It is designed to endure 100,000 program/erase cycles (E²PROM) and has a data retention of 10 years. The device is available in JEDEC approved 18-pin plastic DIP and 16-pin SOIC packages.

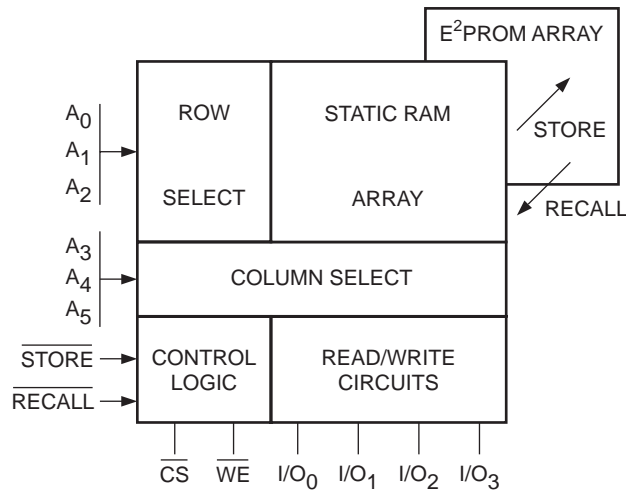
PIN CONFIGURATION



PIN FUNCTIONS

Pin Name	Function
A ₀ -A ₅	Address
I/O ₀ -I/O ₃	Data In/Out
\overline{WE}	Write Enable
\overline{CS}	Chip Select
\overline{RECALL}	Recall
\overline{STORE}	Store
V _{CC}	+5V
V _{SS}	Ground
NC	No Connect

BLOCK DIAGRAM



5153 FHD F02

MODE SELECTION⁽¹⁾⁽²⁾⁽³⁾

Mode	Input				I/O
	\overline{CS}	\overline{WE}	\overline{RECALL}	\overline{STORE}	
Standby	H	X	H	H	Output High-Z
RAM Read	L	H	H	H	Output Data
RAM Write	L	L	H	H	Input Data
(E ² PROM→RAM)	X	H	L	H	Output High-Z RECALL
(E ² PROM→RAM)	H	X	L	H	Output High-Z RECALL
(RAM→E ² PROM)	X	H	H	L	Output High-Z STORE
(RAM→E ² PROM)	H	X	H	L	Output High-Z STORE

POWER-UP TIMING⁽⁴⁾

Symbol	Parameter	Min.	Max.	Units
VCCSR	V _{CC} Slew Rate	0.5	0.005	V/ms

Note:

- (1) \overline{RECALL} signal has priority over \overline{STORE} signal when both are applied at the same time.
- (2) \overline{STORE} is inhibited when \overline{RECALL} is active.
- (3) The store operation is inhibited when V_{CC} is below ≈ 3.0V.
- (4) This parameter is tested initially and after a design or process change that affects the parameter.

ABSOLUTE MAXIMUM RATINGS*

Temperature Under Bias	-55°C to +125°C
Storage Temperature	-65°C to +150°C
Voltage on Any Pin with Respect to Ground ⁽²⁾	-2.0 to +V _{CC} +2.0V
V _{CC} with Respect to Ground	-2.0V to +7.0V
Package Power Dissipation Capability (T _a = 25°C)	1.0W
Lead Soldering Temperature (10 secs)	300°C
Output Short Circuit Current ⁽³⁾	100 mA

RELIABILITY CHARACTERISTICS

Symbol	Parameter	Min.	Max.	Units	Reference Test Method
N _{END} ⁽¹⁾	Endurance	100,000		Cycles/Byte	MIL-STD-883, Test Method 1033
T _{DR} ⁽¹⁾	Data Retention	10		Years	MIL-STD-883, Test Method 1008
V _{ZAP} ⁽¹⁾	ESD Susceptibility	2000		Volts	MIL-STD-883, Test Method 3015
I _{LTH} ⁽¹⁾⁽⁴⁾	Latch-Up	100		mA	JEDEC Standard 17

***COMMENT**

Stresses above those listed under “Absolute Maximum Ratings” may cause permanent damage to the device. These are stress ratings only, and functional operation of the device at these or any other conditions outside of those listed in the operational sections of this specification is not implied. Exposure to any absolute maximum rating for extended periods may affect device performance and reliability.

D.C. OPERATING CHARACTERISTICS

V_{CC} = +5V ±10%, unless otherwise specified.

Symbol	Parameter	Limits			Unit	Conditions
		Min.	Typ.	Max.		
I _{CC}	Current Consumption (Operating)			40	mA	All Inputs = 5.5V T _A = 0°C All I/O's Open
I _{SB}	Current Consumption (Standby)			30	μA	$\overline{CS} = V_{CC}$ All I/O's Open
I _{LI}	Input Current			10	μA	0 ≤ V _{IN} ≤ 5.5V
I _{LO}	Output Leakage Current			10	μA	0 ≤ V _{OUT} ≤ 5.5V
V _{IH}	High Level Input Voltage	2		V _{CC}	V	
V _{IL}	Low Level Input Voltage	0		0.8	V	
V _{OH}	High Level Output Voltage	2.4			V	I _{OH} = -2mA
V _{OL}	Low Level Output Voltage			0.4	V	I _{OL} = 4.2mA
V _{DH}	RAM Data Holding Voltage	1.5		5.5	V	V _{CC}

CAPACITANCE T_A = 25°C, f = 1.0 MHz, V_{CC} = 5V

Symbol	Parameter	Max.	Unit	Conditions
C _{I/O} ⁽¹⁾	Input/Output Capacitance	10	pF	V _{I/O} = 0V
C _{IN} ⁽¹⁾	Input Capacitance	6	pF	V _{IN} = 0V

Note:

- (1) This parameter is tested initially and after a design or process change that affects the parameter.
- (2) The minimum DC input voltage is -0.5V. During transitions, inputs may undershoot to -2.0V for periods of less than 20 ns. Maximum DC voltage on output pins is V_{CC} +0.5V, which may overshoot to V_{CC} +2.0V for periods of less than 20 ns.
- (3) Output shorted for no more than one second. No more than one output shorted at a time.
- (4) Latch-up protection is provided for stresses up to 100 mA on address and data pins from -1V to V_{CC} +1V.

A.C. CHARACTERISTICS, Write Cycle

$V_{CC} = +5V \pm 10\%$, unless otherwise specified.

Symbol	Parameter	22C10-20		22C10-30		Unit	Conditions
		Min.	Max.	Min.	Max.		
t_{WC}	Write Cycle Time	200		300		ns	$C_L = 100pF$ +1TTL gate $V_{OH} = 2.2V$ $V_{OL} = 0.65V$ $V_{IH} = 2.2V$ $V_{IL} = 0.65V$
t_{CW}	\overline{CS} Write Pulse Width	150		150		ns	
t_{AS}	Address Setup Time	50		50		ns	
t_{WP}	Write Pulse Width	150		150		ns	
t_{WR}	Write Recovery Time	25		25		ns	
t_{DW}	Data Valid Time	100		100		ns	
t_{DH}	Data Hold Time	0		0		ns	
$t_{WZ}^{(1)}$	Output Disable Time		100		100	ns	
t_{OW}	Output Enable Time	0		0		ns	

A.C. CHARACTERISTICS, Read Cycle

$V_{CC} = +5V \pm 10\%$, unless otherwise specified.

Symbol	Parameter	22C10-20		22C10-30		Unit	Conditions
		Min.	Max.	Min.	Max.		
t_{RC}	Read Cycle Time	200		300		ns	$C_L = 100pF$ +1TTL gate $V_{OH} = 2.2V$ $V_{OL} = 0.65V$ $V_{IH} = 2.2V$ $V_{IL} = 0.65V$
t_{AA}	Address Access Time		200		300	ns	
t_{CO}	\overline{CS} Access Time		200		300	ns	
t_{OH}	Output Data Hold Time	0		0		ns	
$t_{LZ}^{(1)}$	\overline{CS} Enable Time	0		0		ns	
$t_{HZ}^{(1)}$	\overline{CS} Disable Time		100		100	ns	

Note:

(1) This parameter is tested initially and after a design or process change that affects the parameter.

A.C. CHARACTERISTICS, Store Cycle

$V_{CC} = +5V \pm 10\%$, unless otherwise specified.

Symbol	Parameter	Limits		Units	Conditions
		Min.	Max.		
t _{STC}	Store Time		10	ms	C _L = 100pF + 1TTL gate V _{OH} = 2.2V, V _{OL} = 0.65V V _{IH} = 2.2V, V _{IL} = 0.65V
t _{STP}	Store Pulse Width	200		ns	
t _{STZ} ⁽¹⁾	Store Disable Time		100	ns	
t _{OST} ⁽¹⁾	Store Enable Time	0		ns	

A.C. CHARACTERISTICS, Recall Cycle

$V_{CC} = +5V \pm 10\%$, unless otherwise specified.

Symbol	Parameter	Limits		Units	Conditions
		Min.	Max.		
t _{RCC}	Recall Cycle Time	1.4		μs	C _L = 100pF + 1TTL gate V _{OH} = 2.2V, V _{OL} = 0.65V V _{IH} = 2.2V, V _{IL} = 0.65V
t _{RCP}	Recall Pulse Width	300		ns	
t _{RCZ}	Recall Disable Time		100	ns	
t _{ORC}	Recall Enable Time	0		ns	
t _{ARC}	Recall Data Access Time		1.1	μs	

Note:

(1) This parameter is tested initially and after a design or process change that affects the parameter.

DEVICE OPERATION

The configuration of the CAT22C10 allows a common address bus to be directly connected to the address inputs. Additionally, the Input/Output (I/O) pins can be directly connected to a common I/O bus if the bus has less than 1 TTL load and 100pF capacitance. If not, the I/O path should be buffered.

When the chip select (\overline{CS}) pin goes low, the device is activated. When CS is forced high, the device goes into the standby mode and consumes very little current. With the nonvolatile functions inhibited, the device operates like a Static RAM. The Write Enable (\overline{WE}) pin selects a write operation when \overline{WE} is low and a read operation when \overline{WE} is high. In either of these modes, an array byte (4 bits) can be addressed uniquely by using the address lines (A_0 – A_5), and that byte will be read or written to through the Input/Output pins (I/O_0 – I/O_3).

The nonvolatile functions are inhibited by holding the \overline{STORE} input and the \overline{RECALL} input high. When the \overline{RECALL} input is taken low, it initiates a recall operation which transfers the contents of the entire E²PROM array

into the Static RAM. When the \overline{STORE} input is taken low, it initiates a store operation which transfers the entire Static RAM array contents into the E²PROM array.

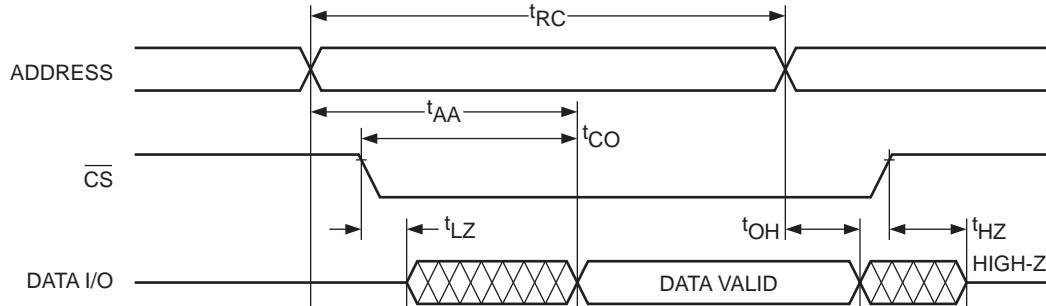
Standby Mode

The chip select (\overline{CS}) input controls all of the functions of the CAT22C10. When a high level is supplied to the \overline{CS} pin, the device goes into the standby mode where the outputs are put into a high impedance state and the power consumption is drastically reduced. With I_{SB} less than 100 μ A in standby mode, the designer has the flexibility to use this part in battery operated systems.

Read

When the chip is enabled ($\overline{CS} = \text{low}$), the nonvolatile functions are inhibited ($\overline{STORE} = \text{high}$ and $\overline{RECALL} = \text{high}$). With the Write Enable (\overline{WE}) pin held high, the data in the Static RAM array may be accessed by selecting an address with input pins A_0 – A_5 . This will occur when the outputs are connected to a bus which is loaded by no more than 100pF and 1 TTL gate. If the loading is greater than this, some additional buffering circuitry is recommended.

Figure 1. Read Cycle Timing



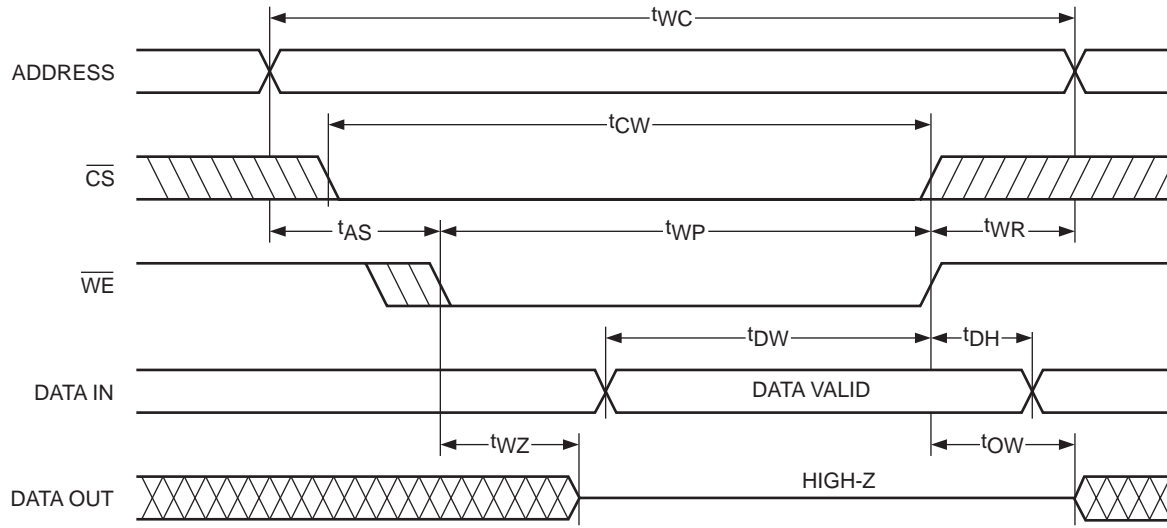
5153 FHD F06

Write

With the chip enabled and the nonvolatile functions inhibited, the Write Enable (\overline{WE}) pin will select the write mode when driven to a low level. In this mode, the address must be supplied for the byte being written. After the set-up time (t_{AS}), the input data must be supplied to pins I/O₀–I/O₃. When these conditions, in-

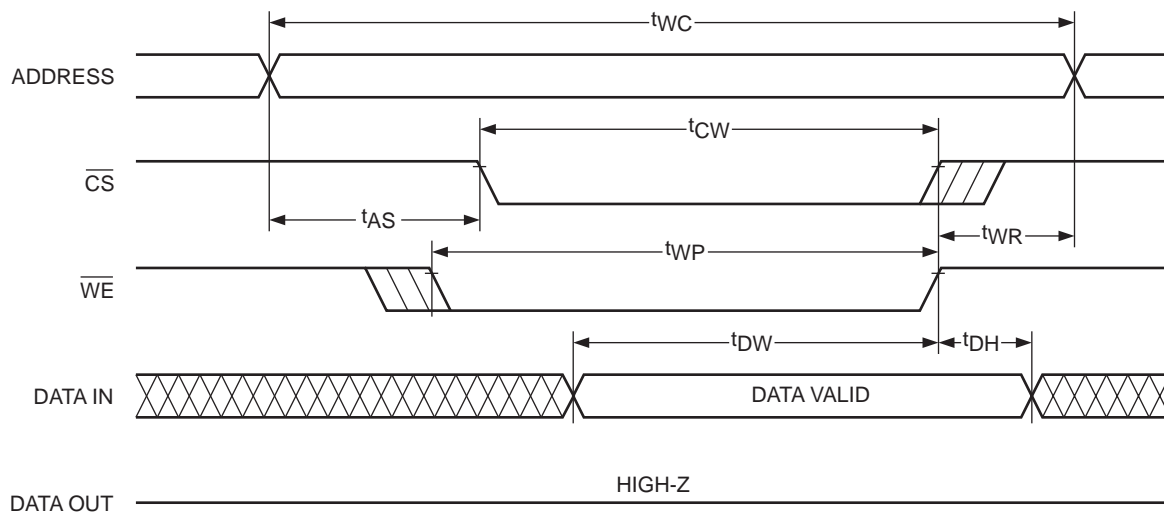
cluding the write pulse width time (t_{WP}) are met, the data will be written to the specified location in the Static RAM. A write function may also be initiated from the standby mode by driving \overline{WE} low, inhibiting the nonvolatile functions, supplying valid addresses, and then taking \overline{CS} low and supplying input data.

Figure 2. Write Cycle Timing



5153 FHD F04

Figure 3. Early Write Cycle Timing



5153 FHD F05

Recall

At any time, except during a store operation, taking the $\overline{\text{RECALL}}$ pin low will initiate a recall operation. This is independent of the state of $\overline{\text{CS}}$, $\overline{\text{WE}}$, or A_0 – A_5 . After the $\overline{\text{RECALL}}$ pin has been held low for the duration of the Recall Pulse Width (t_{RCP}), the recall will continue independent of any other inputs. During the recall, the entire contents of the E²PROM array is transferred to the Static RAM array. The first byte of data may be externally accessed after the recalled data access time from end of recall (t_{ARC}) is met. After this, any other byte may be accessed by using the normal read mode.

If the $\overline{\text{RECALL}}$ pin is held low for the entire Recall Cycle time (t_{RCC}), the contents of the Static RAM may be immediately accessed by using the normal read mode. A recall operation can be performed an unlimited number of times without affecting the integrity of the data.

The outputs I/O_0 – I/O_3 will go into the high impedance state as long as the $\overline{\text{RECALL}}$ signal is held low.

Store

At any time, except during a recall operation, taking the $\overline{\text{STORE}}$ pin low will initiate a store operation. This takes

place independent of the state of $\overline{\text{CS}}$, $\overline{\text{WE}}$ or A_0 – A_5 . The $\overline{\text{STORE}}$ pin must be held low for the duration of the Store Pulse Width (t_{STP}) to ensure that a store operation is initiated. Once initiated, the $\overline{\text{STORE}}$ pin becomes a “Don’t Care”, and the store operation will complete its transfer of the entire contents of the Static RAM array into the E²PROM array within the Store Cycle time (t_{STC}). If a store operation is initiated during a write cycle, the contents of the addressed Static RAM byte and its corresponding byte in the E²PROM array will be unknown.

During the store operation, the outputs are in a high impedance state. A minimum of 100,000 store operations can be performed reliably and the data written into the E²PROM array has a minimum data retention time of 10 years.

DATA PROTECTION DURING POWER-UP AND POWER-DOWN

The CAT22C10 has on-chip circuitry which will prevent a store operation from occurring when V_{CC} falls below 3.0V typ. This function eliminates the potential hazard of spurious signals initiating a store operation when the system power is below 3.0V typ.

Figure 4. Recall Cycle Timing

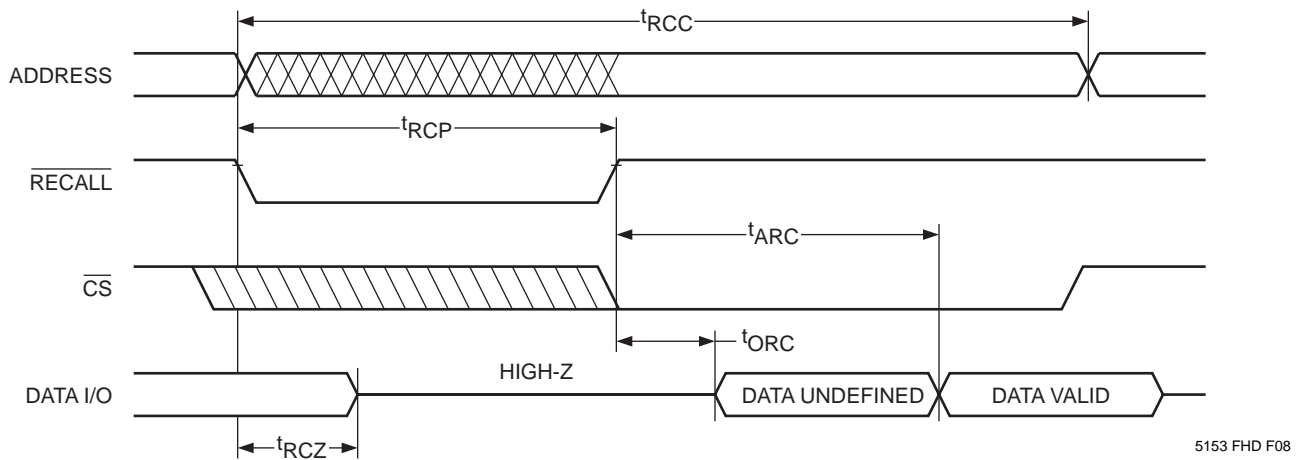
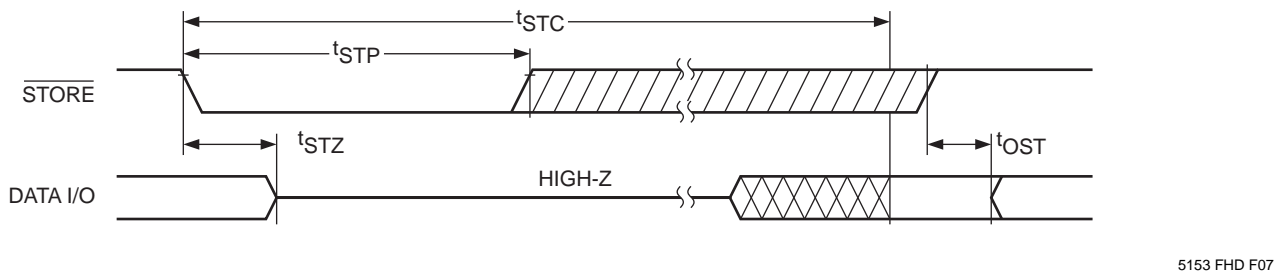
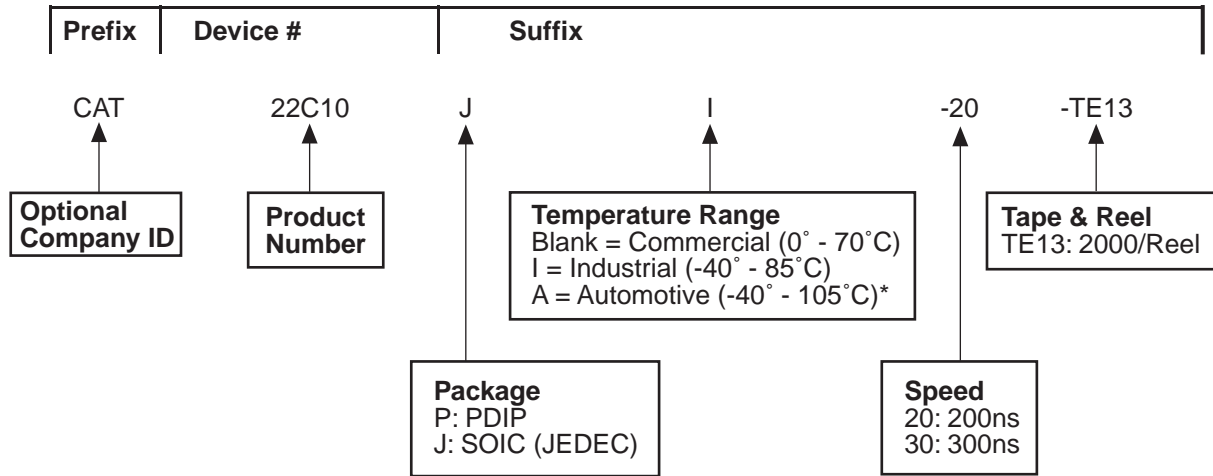


Figure 5. Store Cycle Timing



ORDERING INFORMATION



* -40° to +125°C is available upon request

22C10 F08

Notes:

(1) The device used in the above example is a 22C10JI-20TE13 (SOIC, Industrial Temperature, 200ns Access Time, Tape & Reel)

