

**CBR10-010P SERIES**

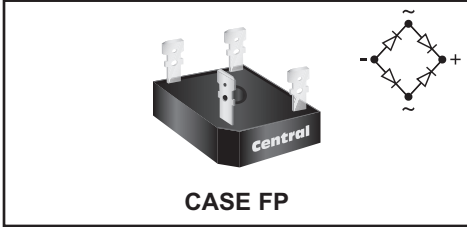
**SILICON BRIDGE RECTIFIERS  
10 AMP, 100 THRU 1000 VOLT**



[www.centrasemi.com](http://www.centrasemi.com)

**DESCRIPTION:**

The CENTRAL SEMICONDUCTOR CBR10-010P series devices are silicon, single phase, full wave bridge rectifiers designed for general purpose applications. The molded epoxy case has a built-in metal baseplate for heat sink mounting. The device utilizes standard 0.25" FASTON terminals.



**MARKING: FULL PART NUMBER**

**MAXIMUM RATINGS:** ( $T_A=25^\circ\text{C}$  unless otherwise noted)

		<b>CBR10</b>						
	<b>SYMBOL</b>	<b>-010P</b>	<b>-020P</b>	<b>-040P</b>	<b>-060P</b>	<b>-080P</b>	<b>-100P</b>	<b>UNITS</b>
Peak Repetitive Reverse Voltage	$V_{RRM}$	100	200	400	600	800	1000	V
DC Blocking Voltage	$V_R$	100	200	400	600	800	1000	V
RMS Reverse Voltage	$V_{R(RMS)}$	70	140	280	420	560	700	V
Average Forward Current ( $T_C=60^\circ\text{C}$ )	$I_O$				10			A
Peak Forward Surge Current	$I_{FSM}$				200			A
$I^2t$ Rating for Fusing ( $1\text{ms} < t < 8.3\text{ms}$ )	$I^2t$				160			$\text{A}^2\text{s}$
RMS Isolation Voltage (case to lead)	$V_{iso}$				2500			Vac
Operating and Storage Junction Temperature	$T_J, T_{stg}$				-65 to +150			$^\circ\text{C}$
Thermal Resistance	$\theta_{JC}$				1.9			$^\circ\text{C}/\text{W}$

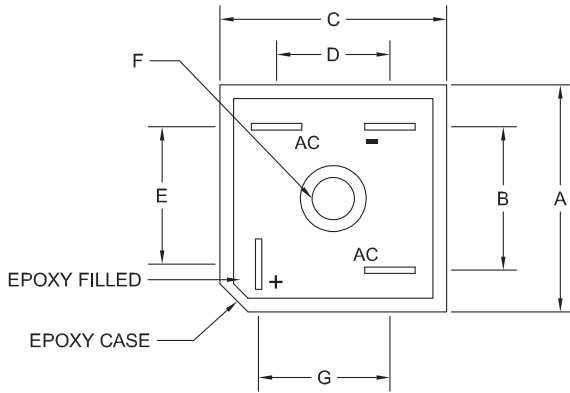
**ELECTRICAL CHARACTERISTICS PER DIODE:** ( $T_A=25^\circ\text{C}$  unless otherwise noted)

<b>SYMBOL</b>	<b>TEST CONDITIONS</b>	<b>TYP</b>	<b>MAX</b>	<b>UNITS</b>
$I_R$	$V_R = \text{Rated } V_{RRM}$		10	$\mu\text{A}$
$I_R$	$V_R = \text{Rated } V_{RRM}, T_A = 125^\circ\text{C}$		500	$\mu\text{A}$
$V_F$	$I_F = 5.0\text{A}$		1.2	V
$C_J$	$V_R = 4.0\text{V}, f = 1.0\text{MHz}$	300		pF

**CBR10-010P SERIES**  
**SILICON BRIDGE RECTIFIERS**  
**10 AMP, 100 THRU 1000 VOLT**



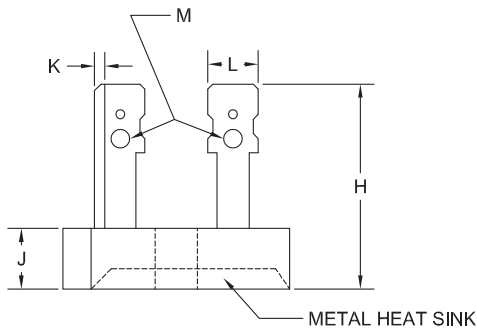
**CASE FP - MECHANICAL OUTLINE**



DIMENSIONS				
SYMBOL	INCHES		MILLIMETERS	
	MIN	MAX	MIN	MAX
A	1.115	1.135	28.32	28.83
B	0.688	0.732	17.50	18.59
C	1.115	1.135	28.32	28.83
D	0.542	0.582	13.77	14.78
E	0.618	0.672	15.70	17.07
F (DIA.)	0.200	0.220	5.08	5.59
G	0.632	0.672	16.05	17.07
H	0.740	0.849	18.80	21.58
J	0.290	0.334	7.37	8.50
K	0.027	0.035	0.71	0.91
L	0.250		6.35	
M (DIA.)	0.940		2.39	

CASE FP (REV:R2)

**MARKING: FULL PART NUMBER**



R2

R3 (24-June 2013)