

# MC14016B

## Quad Analog Switch/ Quad Multiplexer

The MC14016B quad bilateral switch is constructed with MOS P-channel and N-channel enhancement mode devices in a single monolithic structure. Each MC14016B consists of four independent switches capable of controlling either digital or analog signals. The quad bilateral switch is used in signal gating, chopper, modulator, demodulator and CMOS logic implementation.

- Diode Protection on All Inputs
- Supply Voltage Range = 3.0 Vdc to 18 Vdc
- Linearized Transfer Characteristics
- Low Noise —  $12 \text{ nV}/\sqrt{\text{Cycle}}$ ,  $f \geq 1.0 \text{ kHz}$  typical
- Pin-for-Pin Replacements for CD4016B, CD4066B (Note improved transfer characteristic design causes more parasitic coupling capacitance than CD4016)
- For Lower  $R_{ON}$ , Use The HC4016 High-Speed CMOS Device or The MC14066B
- This Device Has Inputs and Outputs Which Do Not Have ESD Protection. Antistatic Precautions Must Be Taken.

### MAXIMUM RATINGS (Voltages Referenced to $V_{SS}$ ) (Note 2.)

| Symbol            | Parameter                                       | Value                  | Unit               |
|-------------------|---|------------------------|--------------------|
| $V_{DD}$          | DC Supply Voltage Range                         | -0.5 to +18.0          | V                  |
| $V_{in}, V_{out}$ | Input or Output Voltage Range (DC or Transient) | -0.5 to $V_{DD} + 0.5$ | V                  |
| $I_{in}$          | Input Current (DC or Transient) per Control Pin | $\pm 10$               | mA                 |
| $I_{SW}$          | Switch Through Current                          | $\pm 25$               | mA                 |
| $P_D$             | Power Dissipation, per Package (Note 3.)        | 500                    | mW                 |
| $T_A$             | Ambient Temperature Range                       | -55 to +125            | $^{\circ}\text{C}$ |
| $T_{stg}$         | Storage Temperature Range                       | -65 to +150            | $^{\circ}\text{C}$ |
| $T_L$             | Lead Temperature (8-Second Soldering)           | 260                    | $^{\circ}\text{C}$ |

- Maximum Ratings are those values beyond which damage to the device may occur.
- Temperature Derating:  
Plastic "P and D/DW" Packages: -7.0 mW/ $^{\circ}\text{C}$  From 65 $^{\circ}\text{C}$  To 125 $^{\circ}\text{C}$

This device contains protection circuitry to guard against damage due to high static voltages or electric fields. However, precautions must be taken to avoid applications of any voltage higher than maximum rated voltages to this high-impedance circuit. For proper operation,  $V_{in}$  and  $V_{out}$  should be constrained to the range  $V_{SS} \leq (V_{in} \text{ or } V_{out}) \leq V_{DD}$ .

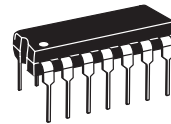
Unused inputs must always be tied to an appropriate logic voltage level (e.g., either  $V_{SS}$  or  $V_{DD}$ ). Unused outputs must be left open.



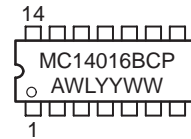
ON Semiconductor

<http://onsemi.com>

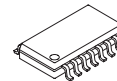
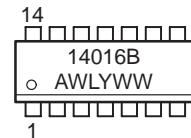
### MARKING DIAGRAMS



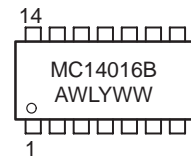
PDIP-14  
P SUFFIX  
CASE 646



SOIC-14  
D SUFFIX  
CASE 751A



SOEIAJ-14  
F SUFFIX  
CASE 965



A = Assembly Location  
WL or L = Wafer Lot  
YY or Y = Year  
WW or W = Work Week

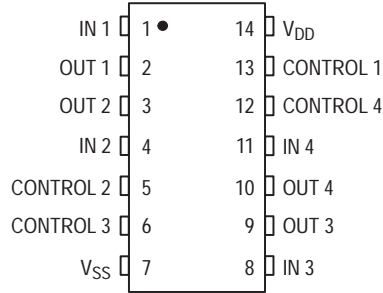
### ORDERING INFORMATION

| Device      | Package   | Shipping         |
|-------------|-----------|------------------|
| MC14016BCP  | PDIP-14   | 2000/Box         |
| MC14016BD   | SOIC-14   | 55/Rail          |
| MC14016BDR2 | SOIC-14   | 2500/Tape & Reel |
| MC14016BF   | SOEIAJ-14 | See Note 1.      |
| MC14016BFEL | SOEIAJ-14 | See Note 1.      |

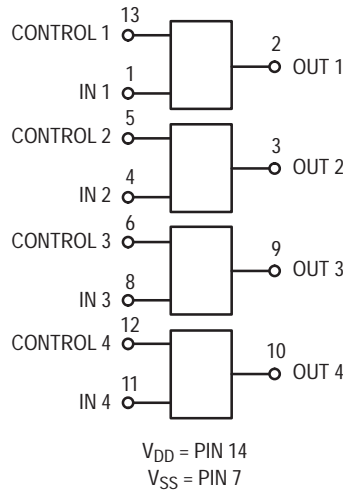
- For ordering information on the EIAJ version of the SOIC packages, please contact your local ON Semiconductor representative.

# MC14016B

## PIN ASSIGNMENT



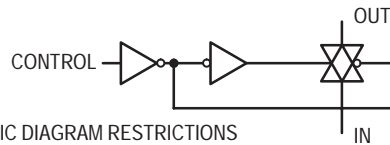
## BLOCK DIAGRAM



| Control             | Switch |
|---------------------|--------|
| 0 = V <sub>SS</sub> | Off    |
| 1 = V <sub>DD</sub> | On     |

## LOGIC DIAGRAM

(1/4 OF DEVICE SHOWN)



LOGIC DIAGRAM RESTRICTIONS

$$V_{SS} \leq V_{in} \leq V_{DD}$$

$$V_{SS} \leq V_{out} \leq V_{DD}$$

# MC14016B

## ELECTRICAL CHARACTERISTICS (Voltages Referenced to $V_{SS}$ )

| Characteristic  | Figure | Symbol          | $V_{DD}$<br>Vdc | - 55°C |           | 25°C |               |           | 125°C |           | Unit            |
|---|--------|-----------------|-----------------|--------|-----------|------|---------------|-----------|-------|-----------|-----------------|
|   |        |                 |                 | Min    | Max       | Min  | Typ (4.)      | Max       | Min   | Max       |                 |
| Input Voltage<br>Control Input  | 1      | $V_{IL}$        | 5.0             | —      | —         | —    | 1.5           | 0.9       | —     | —         | Vdc             |
|   |        |                 | 10              | —      | —         | —    | 1.5           | 0.9       | —     | —         |                 |
| 15  | —      |                 | —               | —      | —         | —    | 1.5           | 0.9       | —     | —         |                 |
|   |        | $V_{IH}$        | 5.0             | —      | —         | 3.0  | 2.0           | —         | —     | —         | Vdc             |
|   |        |                 | 10              | —      | —         | 8.0  | 6.0           | —         | —     | —         |                 |
|   |        |                 | 15              | —      | —         | 13   | 11            | —         | —     | —         |                 |
| Input Current Control   | —      | $I_{in}$        | 15              | —      | $\pm 0.1$ | —    | $\pm 0.00001$ | $\pm 0.1$ | —     | $\pm 1.0$ | $\mu\text{Adc}$ |
| Input Capacitance<br>Control<br>Switch Input<br>Switch Output<br>Feed Through   | —      | $C_{in}$        | —               | —      | —         | —    | 5.0           | —         | —     | —         | pF              |
|   |        |                 | —               | —      | —         | —    | 5.0           | —         | —     | —         |                 |
|   |        |                 | —               | —      | —         | —    | 5.0           | —         | —     | —         |                 |
|   |        |                 | —               | —      | —         | —    | 0.2           | —         | —     | —         |                 |
| Quiescent Current<br>(Per Package) (5.)   | 2,3    | $I_{DD}$        | 5.0             | —      | 0.25      | —    | 0.0005        | 0.25      | —     | 7.5       | $\mu\text{Adc}$ |
|   |        |                 | 10              | —      | 0.5       | —    | 0.0010        | 0.5       | —     | 15        |                 |
|   |        |                 | 15              | —      | 1.0       | —    | 0.0015        | 1.0       | —     | 30        |                 |
| "ON" Resistance<br>( $V_C = V_{DD}$ , $R_L = 10\text{ k}\Omega$ )<br>( $V_{in} = + 5.0\text{ Vdc}$ )<br>( $V_{in} = - 5.0\text{ Vdc}$ ) $V_{SS} = - 5.0\text{ Vdc}$<br>( $V_{in} = \pm 0.25\text{ Vdc}$ )<br><br>( $V_{in} = + 7.5\text{ Vdc}$ )<br>( $V_{in} = - 7.5\text{ Vdc}$ ) $V_{SS} = - 7.5\text{ Vdc}$<br>( $V_{in} = \pm 0.25\text{ Vdc}$ )<br><br>( $V_{in} = + 10\text{ Vdc}$ )<br>( $V_{in} = + 0.25\text{ Vdc}$ ) $V_{SS} = 0\text{ Vdc}$<br>( $V_{in} = + 5.6\text{ Vdc}$ )<br><br>( $V_{in} = + 15\text{ Vdc}$ )<br>( $V_{in} = + 0.25\text{ Vdc}$ ) $V_{SS} = 0\text{ Vdc}$<br>( $V_{in} = + 9.3\text{ Vdc}$ ) | 4,5,6  | $R_{ON}$        | —               | —      | —         | —    | —             | —         | —     | —         | Ohms            |
|   |        |                 | 5.0             | —      | 600       | —    | 300           | 660       | —     | 840       |                 |
|   |        |                 | —               | —      | 600       | —    | 300           | 660       | —     | 840       |                 |
|   |        |                 | —               | —      | 600       | —    | 280           | 660       | —     | 840       |                 |
|   |        |                 | 7.5             | —      | 360       | —    | 240           | 400       | —     | 520       |                 |
|   |        |                 | —               | —      | 360       | —    | 240           | 400       | —     | 520       |                 |
|   |        |                 | —               | —      | 360       | —    | 180           | 400       | —     | 520       |                 |
|   |        |                 | 10              | —      | 600       | —    | 260           | 660       | —     | 840       |                 |
|   |        |                 | —               | —      | 600       | —    | 310           | 660       | —     | 840       |                 |
|   |        |                 | —               | —      | 600       | —    | 310           | 660       | —     | 840       |                 |
| 15  | —      | 360             | —               | 260    | 400       | —    | 520           |           |       |           |                 |
| —   | —      | 360             | —               | 260    | 400       | —    | 520           |           |       |           |                 |
| 15  | —      | 360             | —               | 300    | 400       | —    | 520           |           |       |           |                 |
| $\Delta$ "ON" Resistance<br>Between any 2 circuits in a common<br>package<br>( $V_C = V_{DD}$ )<br>( $V_{in} = \pm 5.0\text{ Vdc}$ , $V_{SS} = - 5.0\text{ Vdc}$ )<br>( $V_{in} = \pm 7.5\text{ Vdc}$ , $V_{SS} = - 7.5\text{ Vdc}$ )   | —      | $\Delta R_{ON}$ | —               | —      | —         | —    | —             | —         | —     | —         | Ohms            |
|   |        |                 | 5.0             | —      | —         | —    | 15            | —         | —     | —         |                 |
|   |        |                 | 7.5             | —      | —         | —    | 10            | —         | —     | —         |                 |
| Input/Output Leakage Current<br>( $V_C = V_{SS}$ )<br>( $V_{in} = + 7.5$ , $V_{out} = - 7.5\text{ Vdc}$ )<br>( $V_{in} = - 7.5$ , $V_{out} = + 7.5\text{ Vdc}$ )  | —      | —               | —               | —      | —         | —    | —             | —         | —     | —         | $\mu\text{Adc}$ |
|   |        |                 | 7.5             | —      | $\pm 0.1$ | —    | $\pm 0.0015$  | $\pm 0.1$ | —     | $\pm 1.0$ |                 |
|   |        |                 | 7.5             | —      | $\pm 0.1$ | —    | $\pm 0.0015$  | $\pm 0.1$ | —     | $\pm 1.0$ |                 |

NOTE: All unused inputs must be returned to  $V_{DD}$  or  $V_{SS}$  as appropriate for the circuit application.

4. Data labelled "Typ" is not to be used for design purposes but is intended as an indication of the IC's potential performance.

5. For voltage drops across the switch ( $\Delta V_{switch}$ ) > 600 mV (> 300 mV at high temperature), excessive  $V_{DD}$  current may be drawn; i.e., the current out of the switch may contain both  $V_{DD}$  and switch input components. The reliability of the device will be unaffected unless the Maximum Ratings are exceeded. (See first page of this data sheet.) Reference Figure 14.

# MC14016B

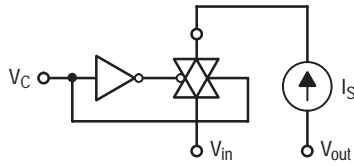
## ELECTRICAL CHARACTERISTICS <sup>(6.)</sup> ( $C_L = 50 \text{ pF}$ , $T_A = 25^\circ\text{C}$ )

| Characteristic   | Figure | Symbol      | V <sub>DD</sub><br>Vdc | Min    | Typ <sup>(7.)</sup> | Max      | Unit                      |
|--|--------|-------------|------------------------|--------|---------------------|----------|---------------------------|
| Propagation Delay Time ( $V_{SS} = 0 \text{ Vdc}$ )<br>$V_{in}$ to $V_{out}$<br>( $V_C = V_{DD}$ , $R_L = 10 \text{ k}\Omega$ )  | 7      | $t_{PLH}$ , | 5.0                    | —      | 15                  | 45       | ns                        |
|  |        | $t_{PHL}$   | 10<br>15               | —<br>— | 7.0<br>6.0          | 15<br>12 |                           |
| Control to Output<br>( $V_{in} \leq 10 \text{ Vdc}$ , $R_L = 10 \text{ k}\Omega$ )   | 8      | $t_{PHZ}$ , | 5.0                    | —      | 34                  | 90       | ns                        |
|  |        | $t_{PLZ}$ , | 10                     | —      | 20                  | 45       |                           |
|  |        | $t_{PZH}$ , | 15                     | —      | 15                  | 35       |                           |
|  |        | $t_{PZL}$   |                        |        |                     |          |                           |
| Crosstalk, Control to Output ( $V_{SS} = 0 \text{ Vdc}$ )<br>( $V_C = V_{DD}$ , $R_{in} = 10 \text{ k}\Omega$ , $R_{out} = 10 \text{ k}\Omega$ ,<br>$f = 1.0 \text{ kHz}$ )  | 9      | —           | 5.0                    | —      | 30                  | —        | mV                        |
|  |        |             | 10                     | —      | 50                  | —        |                           |
|  |        |             | 15                     | —      | 100                 | —        |                           |
| Crosstalk between any two switches ( $V_{SS} = 0 \text{ Vdc}$ )<br>( $R_L = 1.0 \text{ k}\Omega$ , $f = 1.0 \text{ MHz}$ ,<br>crosstalk = $20 \log_{10} \frac{V_{out1}}{V_{out2}}$ )   | —      | —           | 5.0                    | —      | -80                 | —        | dB                        |
| Noise Voltage ( $V_{SS} = 0 \text{ Vdc}$ )<br>( $V_C = V_{DD}$ , $f = 100 \text{ Hz}$ )<br><br>( $V_C = V_{DD}$ , $f = 100 \text{ kHz}$ )  | 10,11  | —           | 5.0                    | —      | 24                  | —        | nV/ $\sqrt{\text{Cycle}}$ |
|  |        |             | 10                     | —      | 25                  | —        |                           |
|  |        |             | 15                     | —      | 30                  | —        |                           |
|  |        |             | 5.0                    | —      | 12                  | —        |                           |
|  |        |             | 10                     | —      | 12                  | —        |                           |
|  |        |             | 15                     | —      | 15                  | —        |                           |
| Second Harmonic Distortion ( $V_{SS} = -5.0 \text{ Vdc}$ )<br>( $V_{in} = 1.77 \text{ Vdc}$ , RMS Centered @ $0.0 \text{ Vdc}$ ,<br>$R_L = 10 \text{ k}\Omega$ , $f = 1.0 \text{ kHz}$ )   | —      | —           | 5.0                    | —      | 0.16                | —        | %                         |
| Insertion Loss ( $V_C = V_{DD}$ , $V_{in} = 1.77 \text{ Vdc}$ ,<br>$V_{SS} = -5.0 \text{ Vdc}$ , RMS centered = $0.0 \text{ Vdc}$ , $f = 1.0 \text{ MHz}$ )<br><br>$I_{loss} = 20 \log_{10} \frac{V_{out}}{V_{in}}$<br>( $R_L = 1.0 \text{ k}\Omega$ )<br>( $R_L = 10 \text{ k}\Omega$ )<br>( $R_L = 100 \text{ k}\Omega$ )<br>( $R_L = 1.0 \text{ M}\Omega$ ) | 12     | —           | 5.0                    | —      | 2.3                 | —        | dB                        |
|  |        |             |                        | —      | 0.2                 | —        |                           |
|  |        |             |                        | —      | 0.1                 | —        |                           |
|  |        |             |                        | —      | 0.05                | —        |                           |
|  |        |             |                        | —      |                     |          |                           |
| Bandwidth (-3.0 dB)<br>( $V_C = V_{DD}$ , $V_{in} = 1.77 \text{ Vdc}$ , $V_{SS} = -5.0 \text{ Vdc}$ ,<br>RMS centered @ $0.0 \text{ Vdc}$ )<br>( $R_L = 1.0 \text{ k}\Omega$ )<br>( $R_L = 10 \text{ k}\Omega$ )<br>( $R_L = 100 \text{ k}\Omega$ )<br>( $R_L = 1.0 \text{ M}\Omega$ )   | 12,13  | BW          | 5.0                    | —      | 54                  | —        | MHz                       |
|  |        |             |                        | —      | 40                  | —        |                           |
|  |        |             |                        | —      | 38                  | —        |                           |
|  |        |             |                        | —      | 37                  | —        |                           |
|  |        |             |                        | —      |                     |          |                           |
| OFF Channel Feedthrough Attenuation<br>( $V_{SS} = -5.0 \text{ Vdc}$ )<br>( $V_C = V_{SS}$ , $20 \log_{10} \frac{V_{out}}{V_{in}} = -50 \text{ dB}$ )<br>( $R_L = 1.0 \text{ k}\Omega$ )<br>( $R_L = 10 \text{ k}\Omega$ )<br>( $R_L = 100 \text{ k}\Omega$ )<br>( $R_L = 1.0 \text{ M}\Omega$ )   | —      | —           | 5.0                    | —      | 1250                | —        | kHz                       |
|  |        |             |                        | —      | 140                 | —        |                           |
|  |        |             |                        | —      | 18                  | —        |                           |
|  |        |             |                        | —      | 2.0                 | —        |                           |
|  |        |             |                        | —      |                     |          |                           |

6. The formulas given are for typical characteristics only at  $25^\circ\text{C}$ .

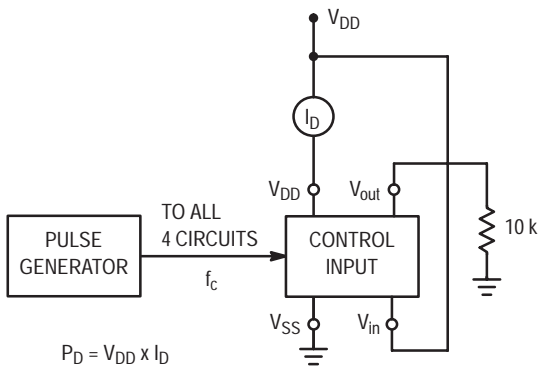
7. Data labelled "Typ" is not to be used for design purposes but is intended as an indication of the IC's potential performance.

# MC14016B

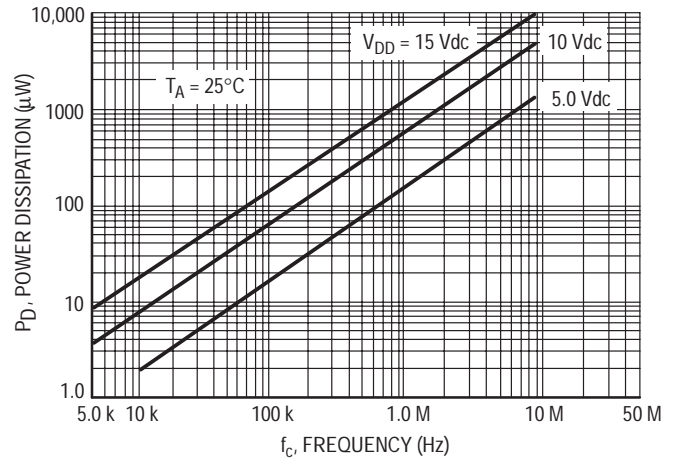


$V_{IL}$ :  $V_C$  is raised from  $V_{SS}$  until  $V_C = V_{IL}$ .  
 at  $V_C = V_{IL}$ :  $I_S = \pm 10 \mu A$  with  $V_{in} = V_{SS}$ ,  $V_{out} = V_{DD}$  or  $V_{in} = V_{DD}$ ,  $V_{out} = V_{SS}$ .  
 $V_{IH}$ : When  $V_C = V_{IH}$  to  $V_{DD}$ , the switch is ON and the  $R_{ON}$  specifications are met.

**Figure 1. Input Voltage Test Circuit**

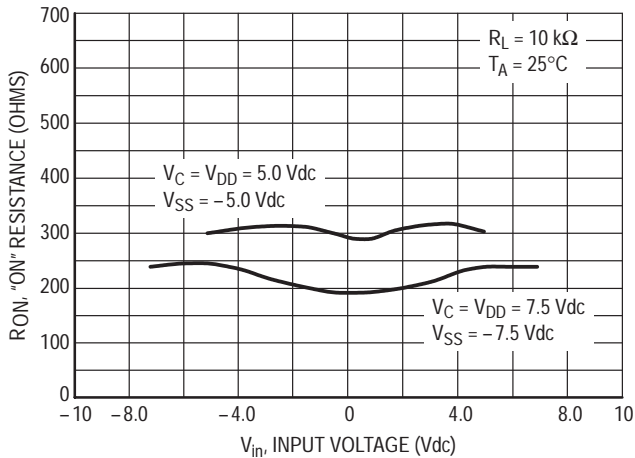


**Figure 2. Quiescent Power Dissipation Test Circuit**

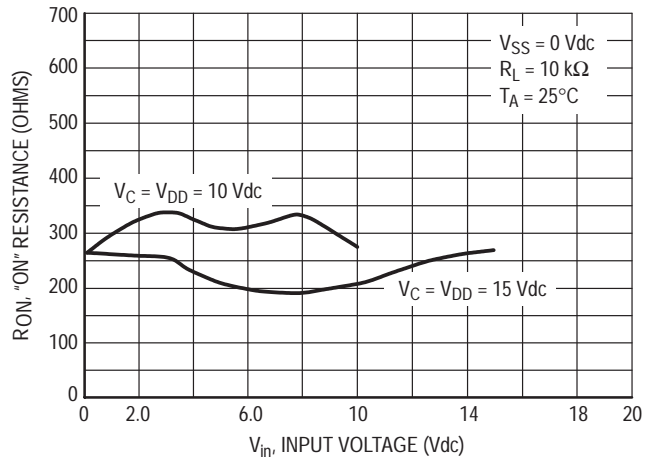


**Figure 3. Typical Power Dissipation per Circuit (1/4 of device shown)**

## TYPICAL $R_{ON}$ versus INPUT VOLTAGE



**Figure 4.  $V_{SS} = -5.0 V$  and  $-7.5 V$**



**Figure 5.  $V_{SS} = 0 V$**

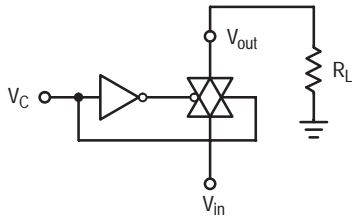


Figure 6.  $R_{ON}$  Characteristics Test Circuit

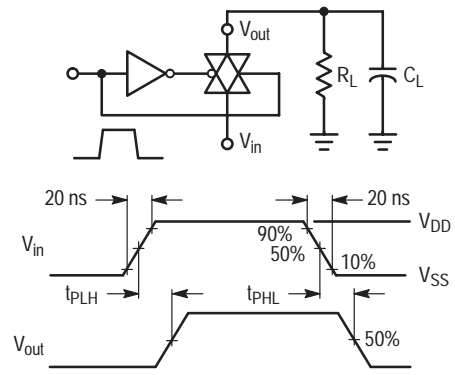


Figure 7. Propagation Delay Test Circuit and Waveforms

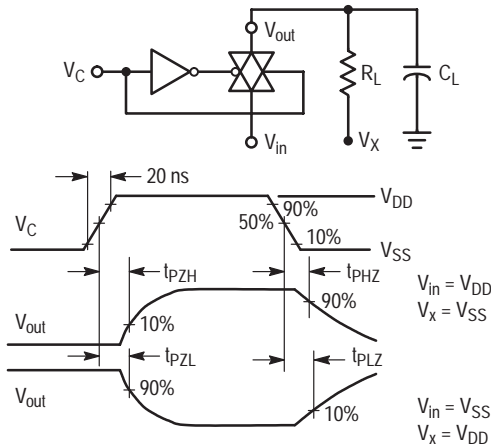


Figure 8. Turn-On Delay Time Test Circuit and Waveforms

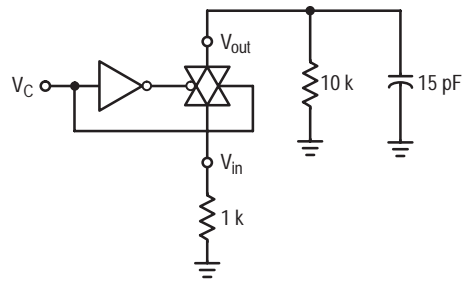


Figure 9. Crosstalk Test Circuit

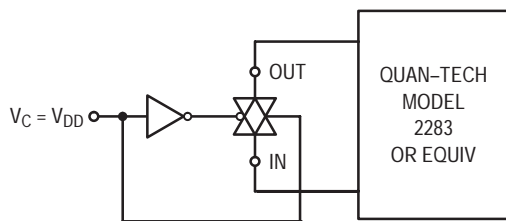


Figure 10. Noise Voltage Test Circuit

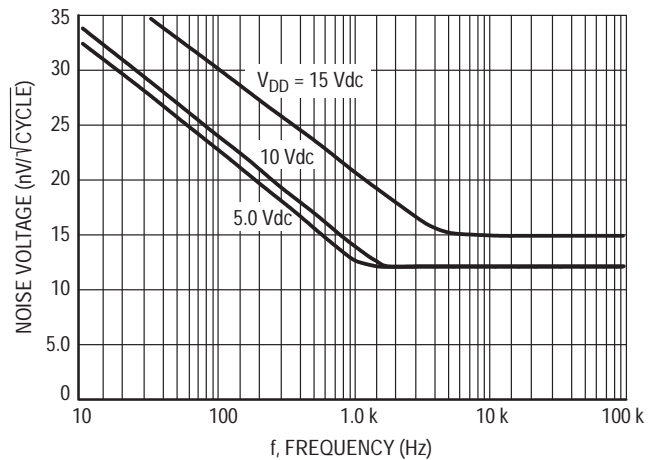
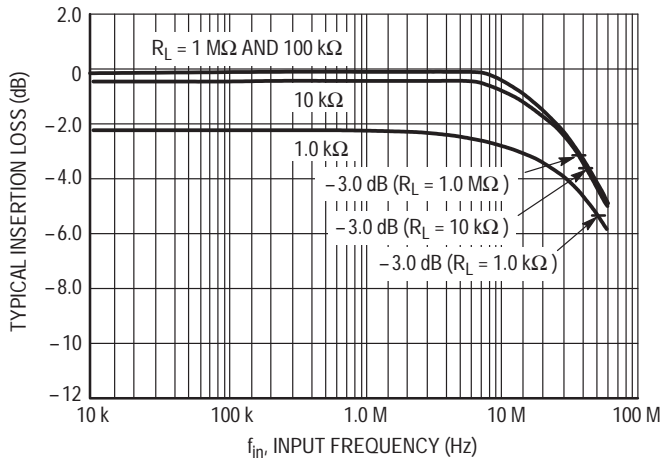
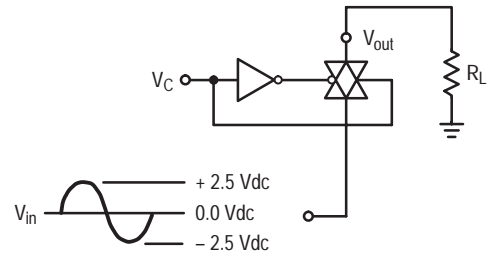


Figure 11. Typical Noise Characteristics

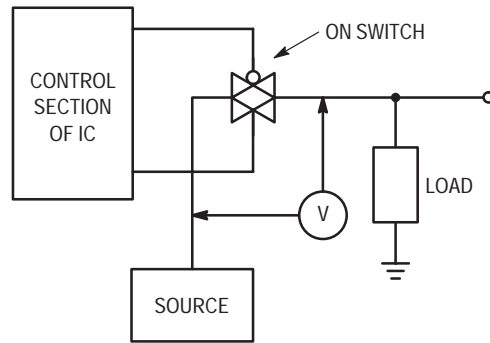
# MC14016B



**Figure 12. Typical Insertion Loss/Bandwidth Characteristics**



**Figure 13. Frequency Response Test Circuit**



**Figure 14.  $\Delta V$  Across Switch**

# MC14016B

## APPLICATIONS INFORMATION

Figure A illustrates use of the Analog Switch. The 0-to-5 V Digital Control signal is used to directly control a 5 V<sub>p-p</sub> analog signal.

The digital control logic levels are determined by V<sub>DD</sub> and V<sub>SS</sub>. The V<sub>DD</sub> voltage is the logic high voltage; the V<sub>SS</sub> voltage is logic low. For the example, V<sub>DD</sub> = +5 V logic high at the control inputs; V<sub>SS</sub> = GND = 0 V logic low.

The maximum analog signal level is determined by V<sub>DD</sub> and V<sub>SS</sub>. The analog voltage must not swing higher than V<sub>DD</sub> or lower than V<sub>SS</sub>.

The example shows a 5 V<sub>p-p</sub> signal which allows no margin at either peak. If voltage transients above V<sub>DD</sub> and/or below V<sub>SS</sub> are anticipated on the analog channels, external diodes (D<sub>x</sub>) are recommended as shown in Figure B. These diodes should be small signal types able to absorb the maximum anticipated current surges during clipping.

The *absolute* maximum potential difference between V<sub>DD</sub> and V<sub>SS</sub> is 18.0 V. Most parameters are specified up to 15 V which is the *recommended* maximum difference between V<sub>DD</sub> and V<sub>SS</sub>.

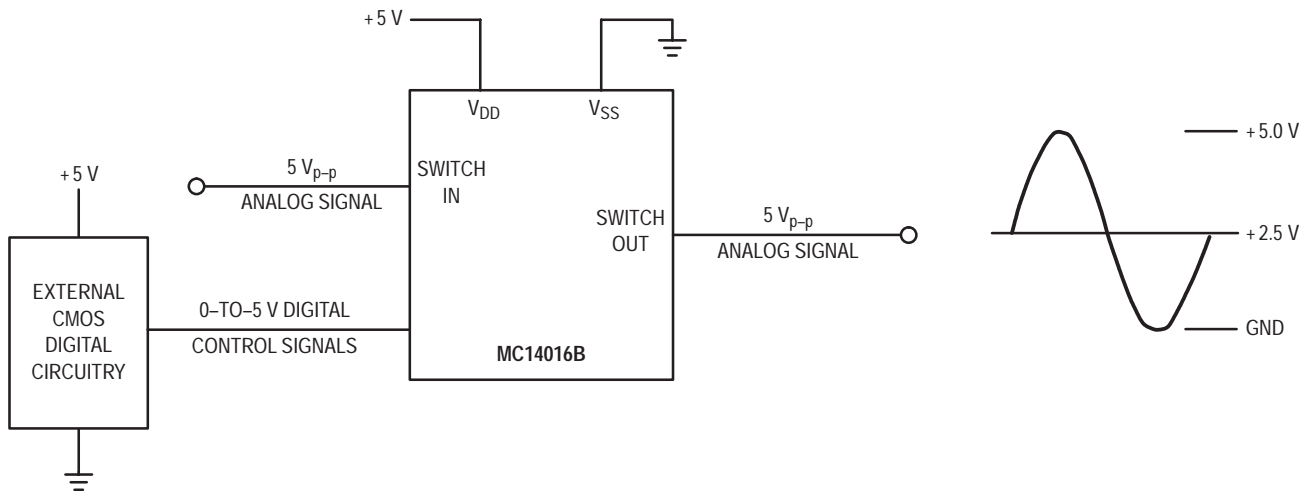


Figure A. Application Example



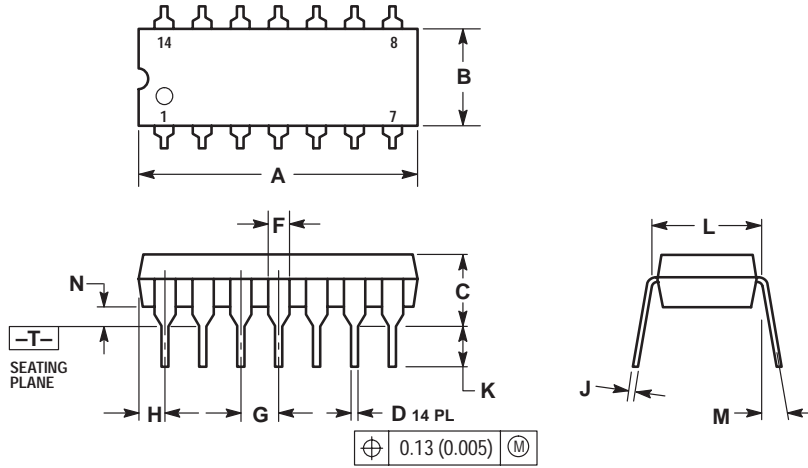
Figure B. External Germanium or Schottky Clipping Diodes



# MC14016B

## PACKAGE DIMENSIONS

**P SUFFIX**  
**PLASTIC DIP PACKAGE**  
**CASE 646-06**  
**ISSUE M**



**NOTES:**

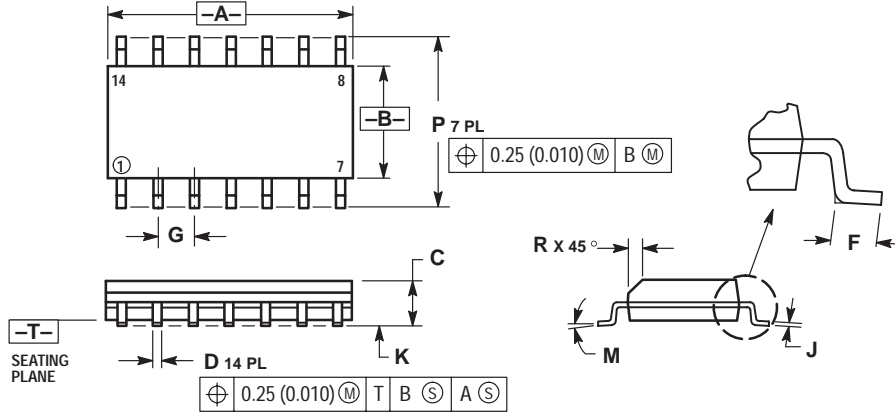
1. DIMENSIONING AND TOLERANCING PER ANSI Y14.5M, 1982.
2. CONTROLLING DIMENSION: INCH.
3. DIMENSION L TO CENTER OF LEADS WHEN FORMED PARALLEL.
4. DIMENSION B DOES NOT INCLUDE MOLD FLASH.
5. ROUNDED CORNERS OPTIONAL.

| DIM | INCHES    |       | MILLIMETERS |       |
|-----|-----------|-------|-------------|-------|
|     | MIN       | MAX   | MIN         | MAX   |
| A   | 0.715     | 0.770 | 18.16       | 18.80 |
| B   | 0.240     | 0.260 | 6.10        | 6.60  |
| C   | 0.145     | 0.185 | 3.69        | 4.69  |
| D   | 0.015     | 0.021 | 0.38        | 0.53  |
| F   | 0.040     | 0.070 | 1.02        | 1.78  |
| G   | 0.100 BSC |       | 2.54 BSC    |       |
| H   | 0.052     | 0.095 | 1.32        | 2.41  |
| J   | 0.008     | 0.015 | 0.20        | 0.38  |
| K   | 0.115     | 0.135 | 2.92        | 3.43  |
| L   | 0.290     | 0.310 | 7.37        | 7.87  |
| M   | ---       | 10°   | ---         | 10°   |
| N   | 0.015     | 0.039 | 0.38        | 1.01  |

# MC14016B

## PACKAGE DIMENSIONS

### D SUFFIX PLASTIC SOIC PACKAGE CASE 751A-03 ISSUE F



#### NOTES:

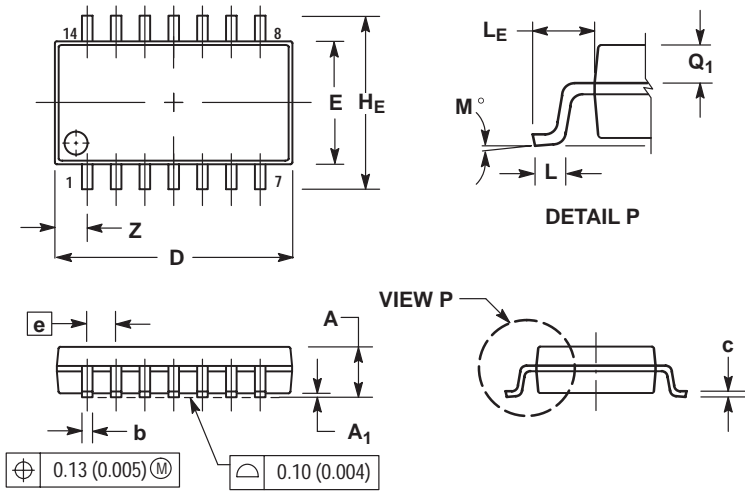
1. DIMENSIONING AND TOLERANCING PER ANSI Y14.5M, 1982.
2. CONTROLLING DIMENSION: MILLIMETER.
3. DIMENSIONS A AND B DO NOT INCLUDE MOLD PROTRUSION.
4. MAXIMUM MOLD PROTRUSION 0.15 (0.006) PER SIDE.
5. DIMENSION D DOES NOT INCLUDE DAMBAR PROTRUSION. ALLOWABLE DAMBAR PROTRUSION SHALL BE 0.127 (0.005) TOTAL IN EXCESS OF THE D DIMENSION AT MAXIMUM MATERIAL CONDITION.

| DIM | MILLIMETERS |      | INCHES    |       |
|-----|-------------|------|-----------|-------|
|     | MIN         | MAX  | MIN       | MAX   |
| A   | 8.55        | 8.75 | 0.337     | 0.344 |
| B   | 3.80        | 4.00 | 0.150     | 0.157 |
| C   | 1.35        | 1.75 | 0.054     | 0.068 |
| D   | 0.35        | 0.49 | 0.014     | 0.019 |
| F   | 0.40        | 1.25 | 0.016     | 0.049 |
| G   | 1.27 BSC    |      | 0.050 BSC |       |
| J   | 0.19        | 0.25 | 0.008     | 0.009 |
| K   | 0.10        | 0.25 | 0.004     | 0.009 |
| M   | 0°          | 7°   | 0°        | 7°    |
| P   | 5.80        | 6.20 | 0.228     | 0.244 |
| R   | 0.25        | 0.50 | 0.010     | 0.019 |

# MC14016B

## PACKAGE DIMENSIONS

### F SUFFIX PLASTIC EIAJ SOIC PACKAGE CASE 965-01 ISSUE O



#### NOTES:

1. DIMENSIONING AND TOLERANCING PER ANSI Y14.5M, 1982.
2. CONTROLLING DIMENSION: MILLIMETER.
3. DIMENSIONS D AND E DO NOT INCLUDE MOLD FLASH OR PROTRUSIONS AND ARE MEASURED AT THE PARTING LINE. MOLD FLASH OR PROTRUSIONS SHALL NOT EXCEED 0.15 (0.006) PER SIDE.
4. TERMINAL NUMBERS ARE SHOWN FOR REFERENCE ONLY.
5. THE LEAD WIDTH DIMENSION (b) DOES NOT INCLUDE DAMBAR PROTRUSION. ALLOWABLE DAMBAR PROTRUSION SHALL BE 0.08 (0.003) TOTAL IN EXCESS OF THE LEAD WIDTH DIMENSION AT MAXIMUM MATERIAL CONDITION. DAMBAR CANNOT BE LOCATED ON THE LOWER RADIUS OR THE FOOT. MINIMUM SPACE BETWEEN PROTRUSIONS AND ADJACENT LEAD TO BE 0.46 (0.018).

| DIM            | MILLIMETERS |       | INCHES    |       |
|----------------|-------------|-------|-----------|-------|
|                | MIN         | MAX   | MIN       | MAX   |
| A              | ---         | 2.05  | ---       | 0.081 |
| A <sub>1</sub> | 0.05        | 0.20  | 0.002     | 0.008 |
| b              | 0.35        | 0.50  | 0.014     | 0.020 |
| c              | 0.18        | 0.27  | 0.007     | 0.011 |
| D              | 9.90        | 10.50 | 0.390     | 0.413 |
| E              | 5.10        | 5.45  | 0.201     | 0.215 |
| e              | 1.27 BSC    |       | 0.050 BSC |       |
| H <sub>E</sub> | 7.40        | 8.20  | 0.291     | 0.323 |
| 0.50           | 0.50        | 0.85  | 0.020     | 0.033 |
| L <sub>E</sub> | 1.10        | 1.50  | 0.043     | 0.059 |
| M              | 0°          | 10°   | 0°        | 10°   |
| Q <sub>1</sub> | 0.70        | 0.90  | 0.028     | 0.035 |
| Z              | ---         | 1.42  | ---       | 0.056 |

**ON Semiconductor** and  are trademarks of Semiconductor Components Industries, LLC (SCILLC). SCILLC reserves the right to make changes without further notice to any products herein. SCILLC makes no warranty, representation or guarantee regarding the suitability of its products for any particular purpose, nor does SCILLC assume any liability arising out of the application or use of any product or circuit, and specifically disclaims any and all liability, including without limitation special, consequential or incidental damages. "Typical" parameters which may be provided in SCILLC data sheets and/or specifications can and do vary in different applications and actual performance may vary over time. All operating parameters, including "Typicals" must be validated for each customer application by customer's technical experts. SCILLC does not convey any license under its patent rights nor the rights of others. SCILLC products are not designed, intended, or authorized for use as components in systems intended for surgical implant into the body, or other applications intended to support or sustain life, or for any other application in which the failure of the SCILLC product could create a situation where personal injury or death may occur. Should Buyer purchase or use SCILLC products for any such unintended or unauthorized application, Buyer shall indemnify and hold SCILLC and its officers, employees, subsidiaries, affiliates, and distributors harmless against all claims, costs, damages, and expenses, and reasonable attorney fees arising out of, directly or indirectly, any claim of personal injury or death associated with such unintended or unauthorized use, even if such claim alleges that SCILLC was negligent regarding the design or manufacture of the part. SCILLC is an Equal Opportunity/Affirmative Action Employer.

## PUBLICATION ORDERING INFORMATION

### **NORTH AMERICA Literature Fulfillment:**

Literature Distribution Center for ON Semiconductor  
P.O. Box 5163, Denver, Colorado 80217 USA  
**Phone:** 303-675-2175 or 800-344-3860 Toll Free USA/Canada  
**Fax:** 303-675-2176 or 800-344-3867 Toll Free USA/Canada  
**Email:** ONlit@hibbertco.com  
Fax Response Line: 303-675-2167 or 800-344-3810 Toll Free USA/Canada

**N. American Technical Support:** 800-282-9855 Toll Free USA/Canada

**EUROPE:** LDC for ON Semiconductor – European Support

**German Phone:** (+1) 303-308-7140 (M-F 1:00pm to 5:00pm Munich Time)  
**Email:** ONlit-german@hibbertco.com  
**French Phone:** (+1) 303-308-7141 (M-F 1:00pm to 5:00pm Toulouse Time)  
**Email:** ONlit-french@hibbertco.com  
**English Phone:** (+1) 303-308-7142 (M-F 12:00pm to 5:00pm UK Time)  
**Email:** ONlit@hibbertco.com

**EUROPEAN TOLL-FREE ACCESS\*: 00-800-4422-3781**

\*Available from Germany, France, Italy, England, Ireland

### **CENTRAL/SOUTH AMERICA:**

**Spanish Phone:** 303-308-7143 (Mon-Fri 8:00am to 5:00pm MST)  
**Email:** ONlit-spanish@hibbertco.com

**ASIA/PACIFIC:** LDC for ON Semiconductor – Asia Support

**Phone:** 303-675-2121 (Tue-Fri 9:00am to 1:00pm, Hong Kong Time)  
Toll Free from Hong Kong & Singapore:  
**001-800-4422-3781**  
**Email:** ONlit-asia@hibbertco.com

**JAPAN:** ON Semiconductor, Japan Customer Focus Center  
4-32-1 Nishi-Gotanda, Shinagawa-ku, Tokyo, Japan 141-8549

**Phone:** 81-3-5740-2745  
**Email:** r14525@onsemi.com

**ON Semiconductor Website:** <http://onsemi.com>

For additional information, please contact your local Sales Representative.