

Evaluation Board for CS4923/CS49300 Families

Features

- CDB4923 demonstrates 5.1 channel decode capability of the CS4923 family
- CDB49300 demonstrates 5.1 channel decode capability of CS49300 family
- 6 discrete analog outputs driven by CS4340 DACs
- 4 S/PDIF optical outputs
- Accepts analog input, S/PDIF digital input, Bursty compressed data
- Discrete PLL which can provide multiple sampling frequencies
- Interfaces to a personal computer through the parallel port
- Stake headers provide convenient location for direct wiring to control signals from off-board microcontroller
- Interface for external memory card
- Digital and analog patch areas

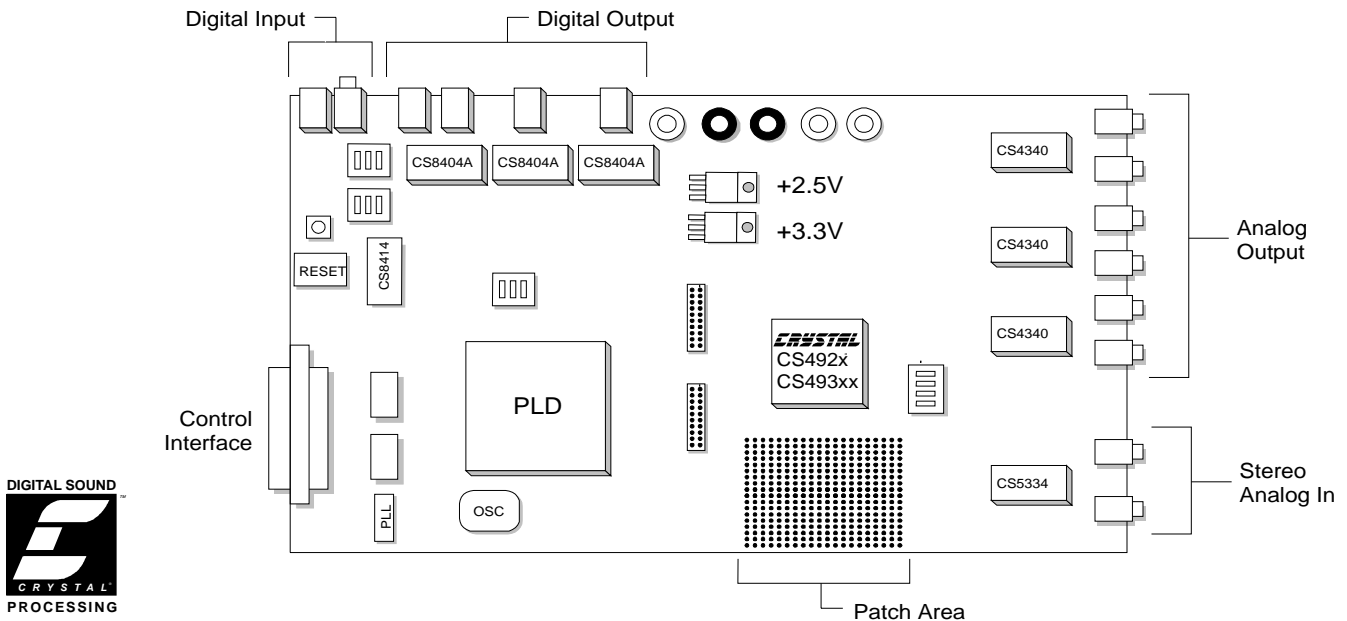
Description

The CDB4923 and CDB49300 customer development boards provide the means to fully evaluate the CS4923/4/5/6/7/8 and CS49300 family of audio decoders. Compressed data can be delivered in IEC61937 format via the S/PDIF port and in bursty mode via the PC interface. PCM data can be accepted through the digital input connectors or from the on-board ADC. Six channels of audio are provided on the six analog outputs and on three optical S/PDIF transmitters. CLKIN for the DSP can be derived either from the on-board oscillator or the external PLL. MCLK can be extracted from incoming S/PDIF streams, generated with the external PLL, or mastered by the audio decoder.

The CDB4923/300 incorporates a Crystal Multichannel Audio Decoder, the CS4340 24-Bit Audio D/A Converter, the CS8414 Digital Audio Interface Receiver, the CS8404A Digital Audio Interface Transmitter, and the CS5334 20-Bit Stereo A/D Converter.

ORDERING INFORMATION

CDB4923	Evaluation Board
CDB49300	Evaluation Board



Preliminary Product Information

This document contains information for a new product. Cirrus Logic reserves the right to modify this product without notice.

TABLE OF CONTENTS

1. CDB4923 VS. CDB49300	5
1.1 DSP Power	5
1.2 DSP PLL Filter	5
2. OPERATION	5
2.1 Power Requirements	6
2.2 Dolby, Considerations	7
3. DIGITAL SIGNAL PROCESSOR	7
3.1 Control Signals	7
3.2 External Memory	8
4. CONTROL	8
5. DATA SELECTION	9
5.1 Provided Mode	10
5.1.1 Control	10
5.1.2 Data	10
5.1.3 Audio Clocking	12
5.2 External Mode	12
6. CLOCKING	14
6.1 DSP Clock	14
6.2 MCLK	15
6.3 LRCLK and SCLK	15
7. INPUT	16
7.1 Analog Input	16
7.2 Digital Input	16
8. OUTPUT	17
8.1 Analog Output	17
8.2 Analog Output Protection Circuitry	17
8.3 Digital Output	17
9. APPENDIX A: SCHEMATICS	18
10. APPENDIX D: BILL OF MATERIALS	34
11. APPENDIX E: EXTERNAL MEMORY SCHEMATICS	37

Contacting Cirrus Logic Support

For a complete listing of Direct Sales, Distributor, and Sales Representative contacts, visit the Cirrus Logic web site at:
<http://www.cirrus.com/corporate/contacts/>

Dolby is a registered trademark of Dolby Laboratories Licensing Corporation
DTS is a registered trademark of DTS, Inc.

Preliminary product information describes products which are in production, but for which full characterization data is not yet available. Advance product information describes products which are in development and subject to development changes. Cirrus Logic, Inc. has made best efforts to ensure that the information contained in this document is accurate and reliable. However, the information is subject to change without notice and is provided "AS IS" without warranty of any kind (express or implied). No responsibility is assumed by Cirrus Logic, Inc. for the use of this information, nor for infringements of patents or other rights of third parties. This document is the property of Cirrus Logic, Inc. and implies no license under patents, copyrights, trademarks, or trade secrets. No part of this publication may be copied, reproduced, stored in a retrieval system, or transmitted, in any form or by any means (electronic, mechanical, photographic, or otherwise) without the prior written consent of Cirrus Logic, Inc. Items from any Cirrus Logic website or disk may be printed for use by the user. However, no part of the printout or electronic files may be copied, reproduced, stored in a retrieval system, or transmitted, in any form or by any means (electronic, mechanical, photographic, or otherwise) without the prior written consent of Cirrus Logic, Inc. Furthermore, no part of this publication may be used as a basis for manufacture or sale of any items without the prior written consent of Cirrus Logic, Inc. The names of products of Cirrus Logic, Inc. or other vendors and suppliers appearing in this document may be trademarks or service marks of their respective owners which may be registered in some jurisdictions. A list of Cirrus Logic, Inc. trademarks and service marks can be found at <http://www.cirrus.com>.

12. APPENDIX F: BOARD CONTROL SOFTWARE	39
13. APPENDIX G: IC COMPONENT LISTING BY FUNCTION	42
13.1 Power	42
13.2 Reset	42
13.3 Clocking	42
13.4 Signal Routing/Level Conversion	42
13.5 DSP	42
13.6 Input	42
13.7 Output	42
14. APPENDIX H: JUMPERS LISTED BY FUNCTION	43
14.1 Audio Input Jumpers	43
14.2 Audio Output Jumpers	43
14.3 DSP Jumpers	43
14.4 Power Jumpers	44
14.5 System Clocking Jumpers	44
15. APPENDIX I: JUMPERS LISTED BY NUMBER	46
16. APPENDIX J: SWITCH SUMMARY	47

LIST OF FIGURES

Figure 1. External Memory Example	9
Figure 2. CDB4923/300 Data Paths	11
Figure 3. Audio Clocking	12
Figure 4. Audio Clocking	12
Figure 4. CS492x/CS493xx	18
Figure 5. System Power	19
Figure 6. PC Interface	20
Figure 7. Control Logic	21
Figure 8. Clocking	22
Figure 9. Analog Input	23
Figure 10. Digital Input	24
Figure 11. D/A Converters	25
Figure 12. Analog Output	26
Figure 13. Digital Output	27
Figure 14. Top Layer	28
Figure 15. Bottom Layer	29
Figure 16. SSTOP	30
Figure 17. ASYSTOP	31
Figure 18. Layer 2	32
Figure 19. Layer 3	33
Figure 20. CRD4923-MEM Schematic	37
Figure 21. CDB49300-MEM Schematic	38

LIST OF TABLES

Table 1. CS492x/CS493xx Host Interface Mode Selection.....	8
Table 2. Data Selection Modes (PLD version AB-X).....	10
Table 3. PROVIDED Data Selection Modes (PLD version AB-X).....	11
Table 4. Digital Audio Sources.....	11
Table 5. Clocking Descriptions.....	12
Table 6. DSP Pins Tri-Stated by U11 in PLD Mode 0.....	13
Table 7. DSP Pins Tri-Stated by U11 in PLD Mode 1.....	13
Table 8. Clocking Descriptions.....	13
Table 9. Data Selection Modes (Switch S3, PLD Version AB-X).....	14
Table 10. EXTERNAL Data Selection Modes (PLD Version AB-X).....	14
Table 11. Board Clocking Configurations (J37).....	14
Table 12. PCLK Configurations.....	15
Table 13. Audio Frequency Selection (J58).....	15
Table 14. CS5334 Digital Output Formats (S4).....	16
Table 15. Digital Output Format settings for CS8414 (S1).....	16
Table 16. CS4340 Digital Input Formats (S4).....	17
Table 17. Digital Input Format settings for CS8404A (S2).....	17
Table 18. CS492x/CS493xx Host Interface Mode Selection.....	47
Table 19. CS5334 Digital Output Formats (S4).....	47
Table 20. CS4340 Digital Input Formats (S4).....	47
Table 21. Digital Output Format settings for CS8414 (S1).....	47
Table 22. PCLK Configurations.....	48
Table 23. Digital Input Format settings for CS8404A (S2).....	48
Table 24. Data Selection Modes (Switch S3, PLD Version AB-X).....	48

1. CDB4923 VS. CDB49300

The CDB4923 and CDB49300 are two customer development boards built from a single platform - the CDB4923/300. This development board replaces the CDB4923 Rev. A and Rev. B.

Although the CDB4923/CDB49300 boards look very similar, it is important to be aware that when shipped from the factory, the CDB4923 is configured for *only* the CS4923 family of audio decoders and the CDB49300 is configured *only* for the CS49300 family of audio decoders.

The features distinguishing the two boards are the following:

- DSP Power Setting
- DSP PLL Filter Topology

1.1 DSP Power

The CS4923 family is designed to operate with a core voltage of +3.3 V, and the CDB4923 is shipped with the DSP Power jumper in the +3.3 V position. The CS49300 family is designed to operate with a core voltage of +2.5 V, and the CDB49300 is shipped with the DSP Power jumper in the +2.5 V position. Attempting to use an audio decoder on the wrong board (e.g., CS49300 on a CDB4923) can cause unpredictable results and damage the decoder.

1.2 DSP PLL Filter

The PLL of the CS4923 is different than that of the CS49300. Consequently, the optimized external PLL filters for each family of audio decoders is different. The CDB4923 is optimized for the CS4923 family and the CDB49300 is optimized for the CS49300 family. Attempting to use an audio decoder on the wrong board (e.g., CS49300 on a CDB4923) can cause unpredictable results.

Specifically, the relevant PLL filter components for the CDB4923 are:

- R246 = 0 Ω

- C155 = 0.22 μF

The relevant PLL filter components for the CDB49300 are:

- R246 = 33 $\text{k}\Omega$
- C155 = 0.22 μF
- C113 = 0.01 μF

Although the boards are tailored for one specific family of audio decoders, the operation of the CDB4923 and CDB49300 is effectively the same. This document will generically refer to the CDB4923/300 except in those instances where there is a difference between the boards.

2. OPERATION

The CDB4923/300 is designed to allow full evaluation of the CS4923 family and CS49300 family of audio DSPs. The members of each audio decoder family are electrically equivalent, so it is possible to use any member of the CS4923 family in the CDB4923 and any member of the CS49300 family in the CDB49300. In the context of this document, CS492x should be interpreted as any member of the CS4923 family and CS493xx should be understood to be any member of the CS49300 family.

The CDB4923/300 is composed of 8 distinct regions: DSP, Control Interface, Control Logic, Clocks, Analog I/O, Digital I/O, Patch area, and Power. Each board region has a number of components and will be briefly discussed below. A more thorough description of each will be given in dedicated sections of this document which can be quickly located in the Table of Contents.

The DSP section includes the audio decoder (CS492x Multichannel Audio Decoder or CS493xx Universal Audio Decoder) under evaluation, jumpers for controlling DSP power and DSP configuration pins, and stake headers which provide access to all relevant DSP pins. The jumpers allow the user to select between +2.5 V or +3.3 V on the DSP power pins (pre-configured at the factory for the

proper voltage), configure the audio decoder for different host communication modes and select the clock source for the DSP (internal PLL or external clock). The stake headers provide a convenient location for probing signal values and also serve as the interface to the CRD4923-MEM (for use with CS492x only) or CDB49300-MEM (for use with the CS493xx only) external memory expander cards.

The control interface of the CDB4923/300 is composed of a 25 pin connector designed to accept a parallel port cable, a programmable logic device (PLD), and two TTL buffers designed to buffer the sixteen signal lines coming from the PC. Using the software provided with the demonstration board, the user can download code to the DSP, configure the application code running on the DSP, perform a reset of the DSP, and deliver compressed audio files to the DSP. An additional control interface is provided on the J11 and J12 stake headers when the PLD is placed into an external interface mode as described in *Data Selection*.

The majority of the control logic for this board is found in the PLD. The PLD latches all signals coming from the parallel port interface, performs all I/O routing on the board, and provides level conversion from +5 V to +3.3 V/+2.5 V depending on the setting of the I/O power jumper (J63) for the PLD. A dip switch is used to control different data/clock routing configurations. There is also an external reset chip (MAX708) which is responsible for system reset at power-up and when the digital power begins to fail.

The sources for the main DSP clock on the CDB4923/300 are the oscillator and the external PLL. When the oscillator is chosen, the main DSP clock frequency can be either the 27 MHz or 12.288 MHz oscillator provided with the board. When properly configured the external PLL can provide a processor clock frequency ranging from 33 MHz to 81 MHz. When the external PLL is used

for the DSP processor clock, it can also be used to master the system oversampling clock, MCLK.

The CDB4923/300 features six channels of analog output provided by three CS4340 DACs. The outputs are provide a 3.5 V_{pp} signal, and each output has protection circuitry to protect against speaker 'popping'. A DIP switch is provided for changing the data format accepted by the CS4340.

There is a stereo analog input on the CDB4923/300 which is designed to interface to line levels of up to 2 V_{rms}. The analog to digital conversion is performed by the CS5334. A DIP switch is provided for changing the format of the audio data provided by the CS5334.

Input and output ports are provided for S/PDIF digital audio streams (IEC60958 and IEC61937). An incoming S/PDIF stream can be supplied either with an optical cable or coaxial cable. The S/PDIF outputs of the CDB4923/300 are all optical. The information from the AUDATA0-2 pins of the CS492x are transmitted on AOUT_DIG0-2 using digital audio interface transmitters (CS8404A). Optical output J43 is connected directly to the S/PDIF transmitter of the DSP. DIP switches are provided for changing the serial audio format of the data provided by the CS8414 and the data accepted by the CS8404A.

The CDB4923/300 provides both analog and digital patch areas. The digital patch area provides access to both +5 V and DSP Power (voltage of the CS492x/CS493xx core). These patch areas are very useful when prototyping circuit modifications. They can also be used as a place to connect signal buffers when using the CDB4923/300 in an external interface mode.

2.1 Power Requirements

This board is composed of about 75% digital logic which is fed by the +5 V power supply. Since the CS492x is a +3.3 V part and the CS493xx is a +2.5 V part, there are also +3.3 V and +2.5 V volt-

age regulators on the board (U8 and U27) which are used to power the DSP and the I/O pads of the PLD (U11). The +12 V and -12 V supplies are used to power the input buffers on the analog side of the board.

The power section of the CDB4923/300 can be found in Figure 5. The CDB4923/300 requires a +5 V input on J23 and a digital ground connected to J24 in order to power the digital section of the board. The analog portion requires a +12 V supply on binding post J21, -12 V on J57, and analog ground connected to J22.

2.2 Dolby[®] Considerations

It should be noted by the system designer that additional circuitry may be required in order to obtain Dolby Certification (e.g., analog bass management). System requirements are dependent upon the nature of the end product and which group of Dolby Certification is required. The designer should consult the Dolby Licensee Information Manual and contact Dolby Laboratories to determine exactly what is required to meet Dolby specifications for a particular system.

3. DIGITAL SIGNAL PROCESSOR

The CS492x/CS493xx (U1) must be downloaded with application code and configured for operation each time that it is powered up. Each time the decoder needs to be reconfigured, the host must send hardware configuration and application configuration messages to the DSP. A complete description of the software applications and their messaging protocol can be found in application notes AN120-AN123, AN140 for the CS492x and AN161-AN163 for the CS493xx.

Please note that this document and all other documentation pertaining to the CS492x family of decoders can be found at the following website:

<http://www.cirrus.com/products/overviews/cs4923.html>

This document and all other documentation pertaining to the CS493xx family of decoders can be found at the following website:

<http://www.cirrus.com/products/overviews/cs49300.html>

As the focus of the board, the CS492x/CS493xx performs all processing of digital audio. The DSP section of the board is illustrated in Figure 4. The CS492x/CS493xx can be fed compressed data or linear PCM from various sources. However, it should be noted that each load of application software for the DSP is designed to process a specific data type, e.g. DTS[®] application code does not process linear PCM. Please reference the appropriate software application note (i.e. AN120-AN123, AN140 or AN161-AN163) to determine which hardware configurations and audio data types are supported.

3.1 Control Signals

The host interface to the DSP, which allows code download and other communication, can be accessed through the parallel port interface (J29) or by placing the control PLD into an external interface mode. In the external interface mode the user can drive the signal pins of the DSP by tapping into the signals present on headers J11 and J12. More information on selecting the host control mode can be found in *Data Selection*.

The host interface mode of the DSP is selected at the rising edge of reset and is programmable. The communication mode is determined by the states of the \overline{RD} , \overline{WR} , and PSEL pins when the DSP comes out of reset, as described in the CS4923/4/5/6/7/8/9 datasheet and the CS49300 datasheet. Each mode is described in the CS4923/4/5/6/7/8/9 Hardware User's Guide (AN115) and the CS49300 datasheet.

There are six jumpers used to directly control the CS492x/CS493xx. Jumpers J2 (\overline{WR}), J3 (\overline{RD}), and J62 (PSEL) are used to select the host interface mode for the CS492x/CS493xx. Table 1 lists the jumper settings required for all four host interface modes. Note that the CDB4923/300 requires

PSEL==1 when configuring for I²C mode because PSEL and SCPIO are multiplexed onto the same pin.

Two of the DSP jumpers are designed to act as current measurement points for the CS492x/CS493xx. Jumper J59 is the analog current measurement point, and it must be installed for the PLL to function. Jumper J60 is the digital current measurement point, and it must be installed in order to supply power to the digital logic of the CS492x/CS493xx.

Jumper J1 is the clock selection jumper. When J1 is in the 'CLKIN' position, the clock present on pin 30 of the DSP (CLKIN) will drive the internal DSP clocks directly. When J1 is in the 'PLL' position, the clock present at pin 30 is used as the reference clock for the CS492x/CS493xx internal PLL. The frequency required for the reference clock when using the internal PLL is application code dependent, so the relevant application code user's guide should be consulted to determine which frequency to provide.

\overline{RD} J3	\overline{WR} J2	PSEL J62	Host Interface Mode
0	1	1	Serial I ² C (PSEL==SCPIO)
1	0	X	Serial SPI
1	1	0	8-bit Intel
1	1	1	8-bit Motorola

Table 1. CS492x/CS493xx Host Interface Mode Selection

3.2 External Memory

Some CDB4923/300 boards may be shipped with an external memory board. There two different external memory boards available:

- CRD4923-MEM - external ROM for CS492x
- CDB49300-MEM - external ROM and RAM for CS493xx

The CS492x requires an external ROM for autoboot, and the CS4926 requires an external ROM when processing DTS audio streams. The

CRD4923-MEM external memory board is tailored for the CDB4923. The schematic for CRD4923-MEM can be found in Figure 20.

The CS493xx family has integrated DTS tables, so a ROM is required only for autoboot. The CS493xx also has a static RAM interface. The CDB49300-MEM external memory board is tailored for the CDB49300. The CDB49300-MEM schematic can be found in Figure 21.

The CDB4923/300 has been designed to interface to both the CRD4923-MEM and CDB49300-MEM daughter boards. The card plugs directly on to J11 oriented such that the CS492x/CS493xx is not covered, as shown in Figure 1.

Please consult the memory map associated with the revision of ROM installed in the memory card to determine which code loads are available. The memory map can be found in the '.fmt' file found on the included floppy.

4. CONTROL

Control of the CS492x/CS493xx can be accomplished in two ways. The CDB4923/300 is shipped with a parallel computer cable which can be attached to the parallel port (LPT1, LPT2, or LPT3) of any computer which has a Windows or DOS based operating system. The parallel port (J29) interface circuitry is illustrated in Figure 6. The software shipped with the CDB4923/300 is based on command-line programs which must be executed from a DOS prompt. The CDB4923/300 software provides the means to reset the CS492x/CS493xx, write control data to the DSP, read control data from the DSP, and deliver compressed audio. A detailed description of the software can be found in *Appendix F: Board Control Software*.

Alternatively, the board can be put into a mode which tri-states all connections between the PLD and the DSP (full external mode), or a mode that tri-states the control lines (external control mode) of the CS492x/CS493xx while still driving the data

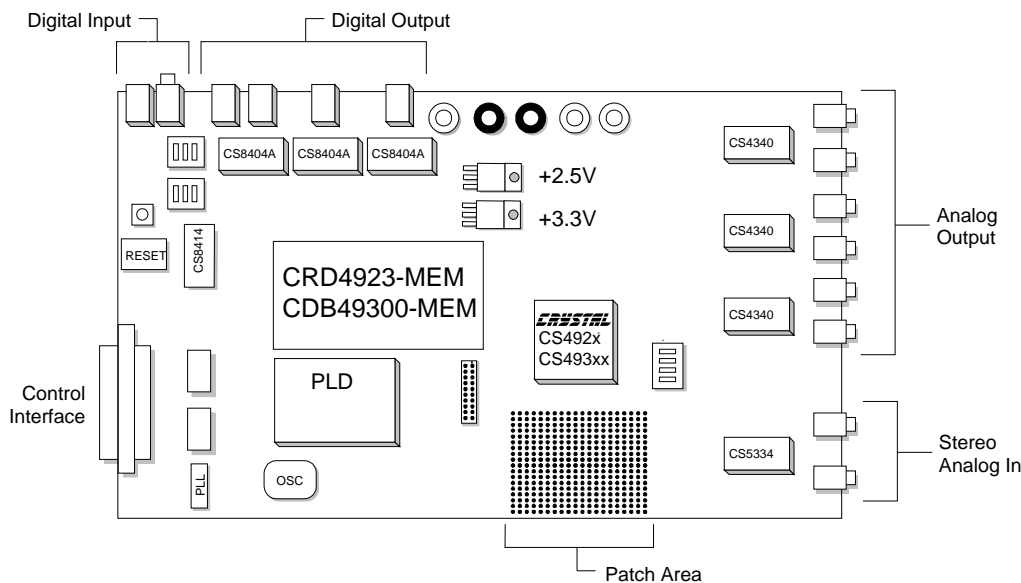


Figure 1. External Memory Example

input ports of the DSP. This configuration allows the user to drive signals on stake headers J11 and J12 in order to operate the DSP as if it were part of an embedded system. The user is responsible for providing the appropriate clocking signals, control signals, and data signals to the DSP in full external mode, but the user only provides control signals in external control mode.

In the external modes the audio output of the DSP still drives the on-board DACs and digital transmitters thus allowing the user to access the audio on the analog and digital output connectors provided by the CDB4923/300. The stake headers J11 and J12 can be found in Figure 4.

All on-board clocks and data lines are routed through the PLD (U11) in order to provide maximum flexibility in the evaluation of different system configurations. The PLD will perform all +5 V to +3.3 V/+2.5 V conversions between the DSP and the +5 V parts with which it interacts by configuring the I/O power jumper (J63). The system can also be configured in an external interface described above. The external modes are detailed in *Data Selection*. All PLD modes are selected using

DIP switch S3. The PLD (U11) and switch S3 are shown in Figure 7.

A specialized IC (U12), the MAX708, has been included on the CDB4923/300 in order to generate a system reset at power-up, when the digital power begins to fail, and when the system reset button (SW1) is depressed. This chip helps to insure consistent operation on the board by providing a 200 ms reset pulse whenever activated.

5. DATA SELECTION

Data selection on the CDB4923/300 refers to the routing of audio data, audio clocks, control data, and control clocks. Because the PLD plays such a crucial role in determining the routing and control scheme, each data selection mode is also referred to as a 'PLD mode.' It is important to note that Table 2, the PLD Mode table, is based directly upon the version of the control PLD (U11) used on each particular board. Each PLD has a specific revision code printed on its label. If your PLD version differs from the one described in this document, contact the factory to determine which feature set is provided with your board.

The two major PLD modes for the CDB4923/300 are the PROVIDED resource mode and the EXTERNAL interface mode. When a PROVIDED mode is chosen all clocks are provided by the demonstration board, all audio data passes through the PLD, and the DSP is controlled by the PC parallel port interface. The EXTERNAL interface modes allow the user to drive the audio data and control pins of the DSP directly by wire-wrapping to stake headers J11 and J12, bypassing the control PLD. It should be noted that there are two variants of the EXTERNAL interface mode. One EXTERNAL mode provides direct access to all control and audio data input pins of the CS492x/CS493xx, and the second EXTERNAL mode allows the user to drive the control signals of the CS492x/CS493xx while audio data still comes from the CDB4923/300.

The DIP switch S3 is used to choose the different routing schemes, and can be found in the Control schematic of Figure 7. Table 2 provides a general overview of the available PLD modes.

5.1 Provided Mode

When the user has chosen a PROVIDED resource mode, the PLD Mode determines the source of audio data for the two data pins of the DSP (CMP-DAT—pin 27 and SDATAN1—pin 22) and the source of the system's oversampling clock (MCLK). Table 3 lists the routing configurations for each of the PROVIDED data selection modes.

5.1.1 Control

As mentioned earlier, when a PROVIDED mode has been selected, all control of the CDB4923/300 is accomplished using the parallel port (J29). A floppy disk is included with the CDB4923/300 which contains the control software described in *Appendix F: Board Control Software*.

5.1.2 Data

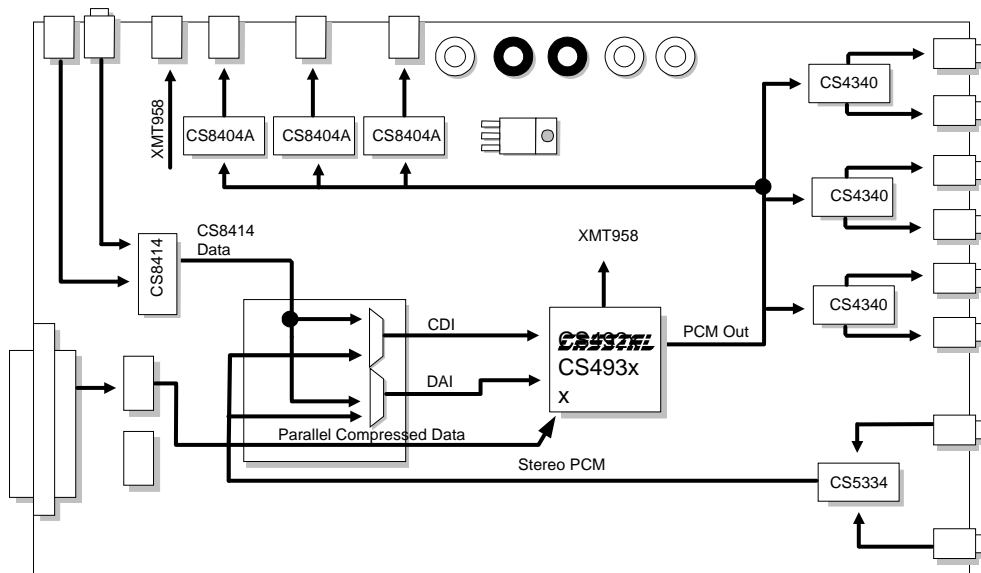
All of the Data Selection Modes shown in Table 3 imply PC control. In Table 4, a brief description is given for each data source listed in Table 3.

The general data flow of the system is illustrated in Figure 2. A data path is shown for each of the modes listed in Table 3.

PLD Mode	DATA_SEL2	DATA_SEL1	DATA_SEL0	AUDIO DATA, CONTROL, and CLOCKS	CONTROL SOURCE
0	LO	LO	LO	EXTERNAL	J11
1	LO	LO	HI	EXTERNAL CONTROL ONLY	J11
2	LO	HI	LO	PROVIDED	PC
3	LO	HI	HI	PROVIDED	PC
4	HI	LO	LO	PROVIDED	PC
5	HI	LO	HI	PROVIDED	PC
6	HI	HI	LO	RESERVED	
7	HI	HI	HI	RESERVED	

NOTE: Because each mode of the Data Selection switch (S3) sets up a different hardware configuration, clock and data lines may be momentarily directed to many different destinations during mode changes. Without the proper initialization process after a reconfiguration, strange behavior may be observed. The recommended procedure for performing changes to the routing configuration is to first generate a board reset using the BOARD RESET switch (SW1). The CS492x/CS493xx will then require a soft reset ("CDB30RST.EXE -s" which performs a hardware reset and then sends the soft reset message 0x000001) and the proper hardware and application configuration messages for the new mode. A thorough description of soft reset, hardware configuration, and application configuration can be found in the software Application Notes AN115, AN120-123, AN140 or AN161-163.

Table 2. Data Selection Modes (PLD version AB-X)


Figure 2. CDB4923/300 Data Paths

PLD Mode	DATA_SEL2	DATA_SEL1	DATA_SEL0	CS492x/CS493xx CMPDAT	CS492x/CS493xx SDATAN1	MCLK SOURCE
2	LO	HI	LO	PC	A/D — CS5334	DSP
3	LO	HI	HI	S/PDIF — CS8414	S/PDIF — CS8414	CS8414
4	HI	LO	LO	S/PDIF — CS8414	A/D — CS5334	CS8414
5	HI	LO	HI	A/D — CS5334	A/D — CS5334	OSC/PLL

Table 3. PROVIDED Data Selection Modes (PLD version AB-X)

Digital Audio Source	Description
S/PDIF - CS8414	The CS8414 (U13) delivers the payload from an IEC60958 (linear PCM) or IEC61937 (nonlinear PCM) encoded bit-stream. The incoming S/PDIF stream is connected to either J32 or J30.
A/D - CS5334	The CS5334 (U25) delivers stereo PCM which has been encoded from the analog input signals on J55 and J56.
PC	A compressed digital audio stream is delivered in bursty format to the parallel port of the CS492x/CS493xx from a file on the PC. This transfer mode requires that the CDB4923/300 is in a parallel communication mode, and the PARLLPLY.EXE program is then used to deliver compressed data through the PC interface. NOTE: This data source is valid only for compressed audio and can be used only with parallel communication modes (i.e. INTEL or Motorola mode).

Table 4. Digital Audio Sources

5.1.3 Audio Clocking

The audio clocking scheme is illustrated below in Figure 3. Note that MCLK is bidirectional with respect to the DSP. When the DSP is slaved to an external MCLK, i.e. the MCLK source is not listed as DSP, the DSP will slave to the MCLK of the CS8414 or the MCLK derived from the on-board PLL (U26) or the OSCILLATOR (Y1). When the internal PLL of the CS492x/CS493xx is being used, however, the DSP will master the MCLK. Caution must be observed when choosing a particular data selection mode and configuring the DSP to ensure that there is no contention with the PLD (U11). Each PLD mode given in Table 3 lists the associated MCLK master - this table should be referenced whenever reconfiguring the CDB4923/300. A brief description of each MCLK source is given in Table 5.

MCLK Source	Description
CS8414	The CS8414 (U13) derives the sampling frequency (Fs) from an incoming S/PDIF stream and masters a 256 Fs MCLK
DSP	The DSP (U1) masters MCLK, generally when using broadcast application code
OSC/PLL	The source of the main DSP clock also supplies the system 256 Fs MCLK (see <i>Clocking</i> for details)

Table 5. Clocking Descriptions

5.2 External Mode

The EXTERNAL mode is designed to allow users to drive the DSP directly with an external micro-controller. Stake headers J11 and J12 contain all of the signals required for host communication with the CS492x/CS493xx. When operating in this mode the DSP control pins are tri-stated by the PLD (U11), effectively disabling the PC interface. Consequently, the software bundled with the demo board will not be functional.

The main DSP clock is always provided by the CDB4923/300 (please see the *Clocking* section to determine how to select the oscillator or external PLL), and the output signals AUDATA0-2 are still routed to the CS8404A S/PDIF transmitters and CS4340 DACs.

Depending on the EXTERNAL mode selected the user may be responsible for all data, control, and clock signals going to the DSP, or just control.

NOTE: ALL SIGNALS DRIVEN TO THE CS493xx MUST BE +3.3 V LOGIC. Because the CS493xx does not have +5 V tolerant pads, an external buffer such as the 74VHC244 should be used for level conversion of any signals driven to the DSP. Failure to buffer +5 V signals can cause permanent damage to the DSP. If necessary, level shifting buffers can be wired into the digital patch area of the CDB49300.

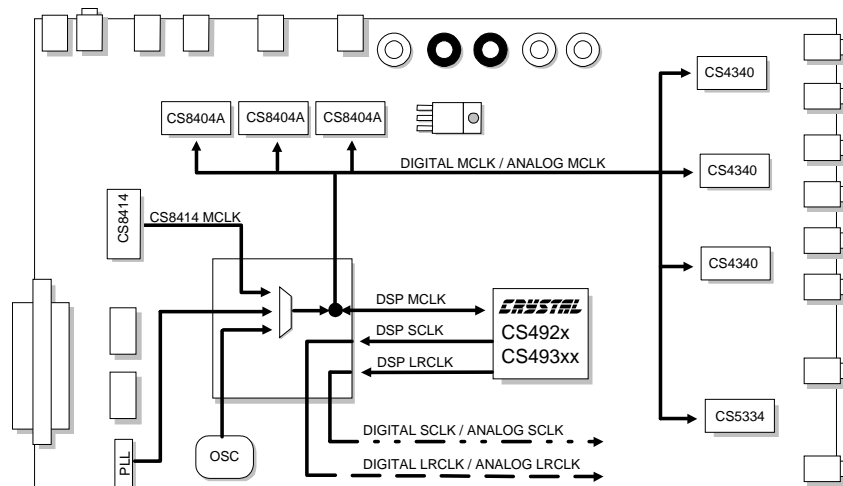


Figure 3. Audio Clocking

As mentioned above, many of the PLD's I/O pins are tri-stated. The complete list of tri-stated pins for full external mode (PLD Mode 0) can be found in Table 6. The complete list of tri-stated pins for external control mode (PLD Mode 1) can be found in Table 7.

By design, the clocking signals present at the MCLK, LRCLK, and SCLK pins of the CS492x/CS493xx are used to drive both the audio input and output circuitry for the rest of the CDB4923/300 as shown in Figure 3. This means that the S/PDIF input, S/PDIF output, analog output and analog input continue to function in the EXTERNAL modes. The user should only drive audio clocks in PLD Mode 0. PLD Mode 1 derives audio clocks from the CS8414.

The three clocking configurations that the user should be aware of when using PLD Mode 0 are:

- DSP is slave to all audio clocks - user drives MCLK/SCLK/LRCLK
- DSP masters LRCLK/SCLK - user drives MCLK
- DSP masters MCLK/LRCLK/SCLK - user drives no audio clocks

Pin Name	Pin Number	Pin Name	Pin Number
MCLK	44	DATA0	17
CMPCLK	28	DATA1	16
CMPREQ	29	DATA2	15
CMPDAT	27	DATA3	14
SCLKN1	25	DATA4	11
SLRCLKN1	26	DATA5	10
SDATAN1	22	DATA6	9
RESET	36	DATA7	8
RD	5	A1, CDIN	6
WR	4	A0, SCCLK	7
EXTMEM	21	SCPDIO	19
		CS	18

Table 6. DSP Pins Tri-Stated by U11 in PLD Mode 0

Pin Name	Pin Number	Pin Name	Pin Number
RESET	36	DATA0	17
RD	5	DATA1	16
WR	4	DATA2	15
A1, CDIN	6	DATA3	14
A0, SCCLK	7	DATA4	11
SCPDIO	19	DATA5	10
CS	18	DATA6	9
		DATA7	8

Table 7. DSP Pins Tri-Stated by U11 in PLD Mode 1

MCLK Source	Description
J12	The user must provide an oversampling clock on the 23MCLK pin of stake header J12. (NOTE: This clock signal must be +3.3 V logic when using CS493xx)
CS8414	The CS8414 (U13) derives the sampling frequency (Fs) from an incoming S/PDIF stream and masters a 256 Fs MCLK
DSP	The DSP (U1) masters MCLK, generally when using broadcast application code

Table 8. Clocking Descriptions

Only when the correct clocking is present on the 23MCLK, 23LRCLK, and 23SCLK pins (J12), processed audio can be heard on the analog outputs (J13 - J20) and the digital outputs (J45 - J47). The analog outputs J13-J20 can be found in Figure 12, and the digital outputs can be found in Figure 13.

The information in Table 9 summarizes the operation of switch S3. The table shows the data routing configuration, the MCLK source, and the method of board control. This is intended as a quick reference and can also be found in *Appendix J: Switch Summary*.

6. CLOCKING

There are four major clocks routed across the CDB4923/300: CLKIN for the DSP, MCLK, LRCLK, and SCLK. CLKIN is only used to drive the digital logic of the DSP core. MCLK, LRCLK, and SCLK are used for synchronizing the audio systems of the CDB4923/300.

6.1 DSP Clock

The DSP clock of the CS492x/CS493xx is provided at the CLKIN pin (pin 30). The setting of jumper J1 (DSP CLOCK) determines whether the CS492x/CS493xx uses the input clock as the DSP clock directly (CLKIN position) or uses the input clock as a reference for the internal PLL (PLL position).

There are two possible clock sources on the CDB4923/300. The first is the OSCILLATOR (Y1). The second option is the external PLL (U26) which can be configured to provide a processor clock ranging from 33 MHz to 81 MHz. All clocking circuitry can be found in Figure 8.

Since the PLL (U26) and the OSCILLATOR (Y1) are co-dependent, only one can be used at any given time. Jumper J37 is used to select the source of the main DSP clock. It is vital to note that the jumper J37 is a double jumper with two jumpers which must be moved in unison. If the jumpers are not moved together, board behavior will be unpredictable. Table 11 lists the oscillator requirements, and the two different settings for J37, where pins 3 and 4 are connected to the inputs of the PLD. Jumper J37 can also be found in Figure 8.

In order to use the 27 MHz oscillator directly, Y1 should be populated with the 27 MHz oscillator included with the CDB4923/300 package. Addition-

Clock Source	Y1	J37 - Pin 3	J37 - Pin 4
Oscillator	27 MHz or 12.288 MHz oscillator	OSC	OSC
External PLL	27 MHz oscillator	PLL	PLL

Table 11. Board Clocking Configurations (J37)

PLD Mode	DATA SEL2	DATA SEL1	DATA SEL0	CS492X/CS493XX CMPDAT	CS492X/CS493XX SDATAN1	MCLK MASTER	CONTROL SOURCE
0	LO	LO	LO	Data and Control lines accessed via J11 and J12		J12 or DSP	J11 & J12
1	LO	LO	HI	S/PDIF -- CS8414	A/D -- CS5334	CS8414	J11 & J12
2	LO	HI	LO	PC	A/D -- CS5334	DSP	PC
3	LO	HI	HI	S/PDIF -- CS8414	S/PDIF -- CS8414	CS8414	PC
4	HI	LO	LO	S/PDIF -- CS8414	A/D -- CS5334	CS8414	PC
5	HI	LO	HI	A/D -- CS5334	A/D -- CS5334	OSC/PLL	PC
6	HI	HI	LO	RESERVED			
7	HI	HI	HI	RESERVED			

Table 9. Data Selection Modes (Switch S3, PLD Version AB-X)

PLD Mode	DATA_SEL2	DATA_SEL1	DATA_SEL0	CS492x/CS493xx CMPDAT	CS492x/CS493xx SDATAN1	MCLK SOURCE
0	LO	LO	LO	J12	J12	J12 or DSP
1	HI	HI	HI	S/PDIF — CS8414	A/D -- CS5334	CS8414

Table 10. EXTERNAL Data Selection Modes (PLD Version AB-X)

ally, both jumpers of J37 should be set to the OSC position. In this clocking configuration you should not use any modes which list OSC/PLL as the MCLK source while Y1 is 27 MHz.

In order to use the 12.288 MHz oscillator directly, Y1 should be populated with the 12.288 MHz oscillator included with the CDB4923/300 package, and both jumpers of J37 should be set to the OSC position. The 12.288 MHz oscillator can be used with those PLD modes naming OSC/PLL as the MCLK source, as 12.288 MHz is a standard 256Fs oversampling frequency ($256 * 48 \text{ kHz}$).

The choice of 12.288 MHz or 27 MHz is application code dependent. Applications dealing with IEC61937 packed compressed audio generally require a 12.288 MHz input, while broadcast applications typically require a 27 MHz input. Check the relevant application code user's guide (AN120-AN123, AN140 or AN161-AN163) for details on DSP CLKIN frequency.

If the external PLL is to be used, then Y1 *must* be populated with a 27 MHz oscillator. The jumpers of J37 should both be placed in the PLL position. The CLKIN pin of the DSP will now be driven with the processor clock (PCLK) output of U26. The processor clock (PCLK) output can be configured to generate either a many different frequencies, based upon the configuration of jumpers J67, J68, and J72 as listed in Table 12.

When using the external PLL to generate the DSP clock, the CLKSEL pin (J1) of the CS492x/CS493xx is typically set to 'EXT CLK'.

6.2 MCLK

The system MCLK on the CDB4923/300 can come from four different sources when using a PROVIDED mode. Some PLD modes use the MCLK generated by the CS8414 S/PDIF receiver (U13) when there is an incoming S/PDIF stream. In PLD mode 2, the DSP generates MCLK when it is decoding a compressed bit stream delivered by the PC. Some

modes can select between an MCLK which is simply the frequency of the on-board oscillator (Y1), or a programmable MCLK generated by the external PLL (U26).

The source of MCLK is dependent upon the PLD mode and is indicated by the 'MCLK SOURCE' column of Table 9 and Table 24.

U26 is a discrete PLL which can generate many different audio frequencies in addition to the processor clock discussed above. The frequency of the audio clock is controlled by the states of the AS1 and AS0 pins which are set with jumpers J70 and J71. The available audio clock frequencies can be used to support many different sampling frequencies, depending on the desired MCLK ratio. Table 13 enumerates all possible MCLK frequencies for the external PLL.

6.3 LRCLK and SCLK

LRCLK and SCLK are assumed to be generated by the DSP in all cases. The audio clocking diagram shown in Figure 3, illustrates the clocking scheme of the CDB4923/300. If it is necessary to provide a complete slave mode for the DSP, please contact the factory for details on how to properly configure the CDB4923/300.

PCLK Frequency	J72	J67	J68
33.33 MHz	LO	LO	LO
54 MHz	LO	LO	HI
66.66 MHz	LO	HI	LO
80 MHz	LO	HI	HI
32 MHz	HI	LO	LO
81 MHz	HI	LO	HI
50 MHz	HI	HI	LO
40 MHz	HI	HI	HI

Table 12. PCLK Configurations

MCLK Frequency	AS1 (J70)	AS0 (J71)
24.576 MHz	1	1
12.288 MHz	0	0
11.2896 MHz	0	1
8.192 MHz	1	0

Table 13. Audio Frequency Selection (J58)

7. INPUT

7.1 Analog Input

A stereo input is provided at RCA jacks J55 and J56. These inputs are designed to accept a full-scale signal of $2 V_{\text{rms}}$. Each single-ended signal is converted to a differential $2 V_{\text{rms}}$ signal before being applied to the inputs of the CS5334 ADC. The CS5334 and its analog input buffers can be found in Figure 9.

The CS5334's clock signals can be accessed at the test points labeled ALG_MCLK, ALG_SCLK, and ALG_LRCLK (these test points can be found in Figure 11). The serial data stream coming from the CS5334 can be probed at the 34SDATA test point (TP22). Jumper J52 is used to configure the CS5334 for slave or master mode. The default, slave mode, is used when the CS5334 accepts all clock signals from another source. When in master mode, the CS5334 accepts MCLK and generates SCLK and LRCLK. The CDB4923/300 is configured to use the CS5334 in slave mode *only*. Please contact the factory for details on how to use the CS5334 in master mode.

The digital output format of the CS5334 can be configured with switch S4 as described in Table 14. More details on the CS5334 can be found in the CS5334 datasheet.

7.2 Digital Input

There are two possible sources of digital audio for the CDB4923/300: S/PDIF, and bursty delivery from the host PC across the parallel interface. Bursty delivery is accomplished by spooling a file from the host PC to the CDB4923/300 using the

34DIF1	34DIF0	Digital Input Format
LO	LO	20-Bit Left Justified, Rising SCLK
LO	HI	20-Bit Left Justified, Falling SCLK
HI	LO	20 Bit I ² S, Rising SCLK (default)
HI	HI	Power Down

Table 14. CS5334 Digital Output Formats (S4)

PARLLPLY.EXE program found on the included floppy. Audio delivered across the S/PDIF interface comes from a digital source such as a DVD player.

The S/PDIF inputs are J30 (RCA) and J32 (Optical), and can be found in Figure 10. It is vital to note, though, that only one of these S/PDIF inputs can be used at any given time. The active jack is determined by the setting of jumper J31 (S/PDIF IN). When J31 is in the 'OPT' position, S/PDIF data will be accepted *only* from J32. When J31 is in the 'RCA' position, S/PDIF data will be accepted *only* from J30.

The S/PDIF signal is routed to the CS8414 receiver (U13). The digital output format of the CS8414 is configured using switch S1 as described in Table 15. The CDB4923/300 comes from the factory configured to operate in I²S mode. Note that this default should not be changed unless the DSP has been configured to use a different serial format.

Jumpers J65 and J66 control the SEL and CS12/FCK pins of the CS8414. These pins can be used to select what is displayed on the channel status outputs of the Digital Audio Interface Receiver. By default these pins are pulled up and the jumpers are not stuffed. If the user wishes to change the values of these pins a stake header should be installed. The CS8414, its control switch, and jumpers can be found in Figure 10. If more details on the CS8414 are needed, please reference the CS8414 datasheet.

M2	M1	M0	Audio Serial Port Format
LO	LO	LO	Out, L/R, 16-24 Bits
LO	LO	HI	In, L/R, 16-24 Bits
LO	HI	LO	Out, L/R, I ² S
LO	HI	HI	In, L/R, I ² S (default)
HI	LO	LO	Out, WSYNC, 16-24 Bits
HI	LO	HI	Out, L/R, 16 Bits LSBJ
HI	HI	LO	Out, L/R, 18 Bits LSBJ
HI	HI	HI	Out, L/R, MSB Last

Table 15. Digital Output Format settings for CS8414 (S1)

8. OUTPUT

8.1 Analog Output

The six discrete outputs provided on the CDB4923/300 are driven by CS4340 D/A converters. They can be found at RCA jacks J13-J16, J18, and J20. Each output is driven directly by the CS4340 to provide a 3.5 V_{pp} full scale output. The CS4340 and its control signals can be found in Figure 11, and the analog output buffers can be found in Figure 12.

The digital input format of the CS4340 is configured using switch S4. The CDB4923/300 is shipped with the CS4340 in I²S mode, and should not be changed unless the CS492x/CS493xx has been configured to use a different serial format. The list of data formats for the CS4340 can be found in Table 16. For more details on the features of the CS4340, please reference the CS4340 datasheet.

8.2 Analog Output Protection Circuitry

The CS4340 is designed to perform a 'soft' ramping of the bias voltage in order to prevent popping on the outputs. However, the series capacitance found in the analog buffers of the CS4340 require a finite amount of time to discharge when the CS4340 goes into reset (RC time constant). If the full reset period is not observed before new audio is delivered, popping can occur on the outputs. Please see the CS4340 datasheet for more details.

The four transistors connected to the mute output of each CS4340 are used to ensure that no 'popping' will occur on the outputs during power-up, power-

27DIF1	27DIF0	Digital Input Format
LO	LO	16-24 Bit I ² S (<i>default</i>)
LO	HI	16-24 Bit Left Justified
HI	LO	24-Bit Right Justified
HI	HI	16-Bit Right Justified

Table 16. CS4340 Digital Input Formats (S4)

down, and during audio clock discontinuities if the reset period is violated.

8.3 Digital Output

The signals present on analog outputs J13-J16, J18, and J20 can also be found on the digital outputs J45-J47 (AOUTDIG0-AOUTDIG2). The optical transmitters are driven by CS8404A S/PDIF transmitters (U19-21). The CS8404As are configured to operate in consumer mode by default. The mode of operation and status bits can be controlled by installing a 16 pin header in J44 and placing jumpers on the signals that are to be programmed low. All signals on J44 are pulled up by default. The CS8404A transmitters and optical outputs can be found in Figure 13.

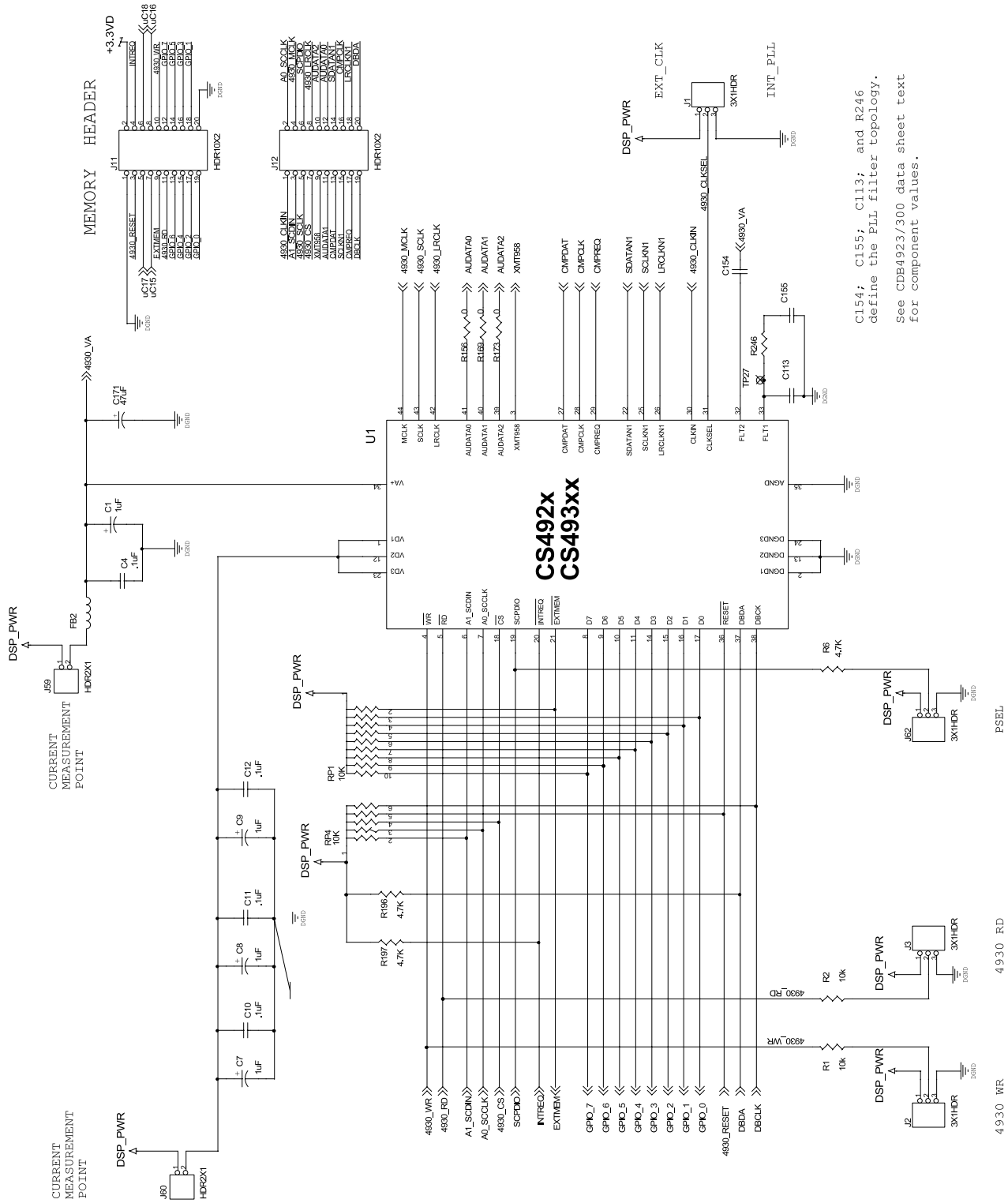
The digital input format of the S/PDIF transmitters can be controlled with switch S2 as listed in Table 17. More operational details for the CS8404A can be found in the CS8404A datasheet.

Optical transmitter J43 (XMT958) is directly connected to the S/PDIF transmitter of the DSP. It can be used to directly observe the digital output of the CS492x/CS493xx when the application code running on the part utilizes the transmitter. Note that if the application code does not support S/PDIF transmission, J43 will not generate valid data. Please see the application note associated with the code in question (e.g. AN120-123, AN140, or AN161-AN163) to determine whether J43 should be active.

M2	M1	M0	Audio Serial Port Format
LO	LO	LO	FSYNC & SCK Output
LO	LO	HI	Left/Right, 16-24 Bits
LO	HI	LO	Word Sync, 16-24 Bits
LO	HI	HI	Reserved
HI	LO	LO	Left/Right, I ² S (<i>default</i>)
HI	LO	HI	LSB Justified, 16 Bits
HI	HI	LO	LSB Justified, 18 Bits
HI	HI	1	MSB Last, 16-24 Bits

Table 17. Digital Input Format settings for CS8404A (S2)

9. APPENDIX A: SCHEMATICS



C154; C155; C113; and R246 define the PLL filter topology. See CDB4923/300 data sheet text for component values.

Figure 4. CS492x/CS493xx

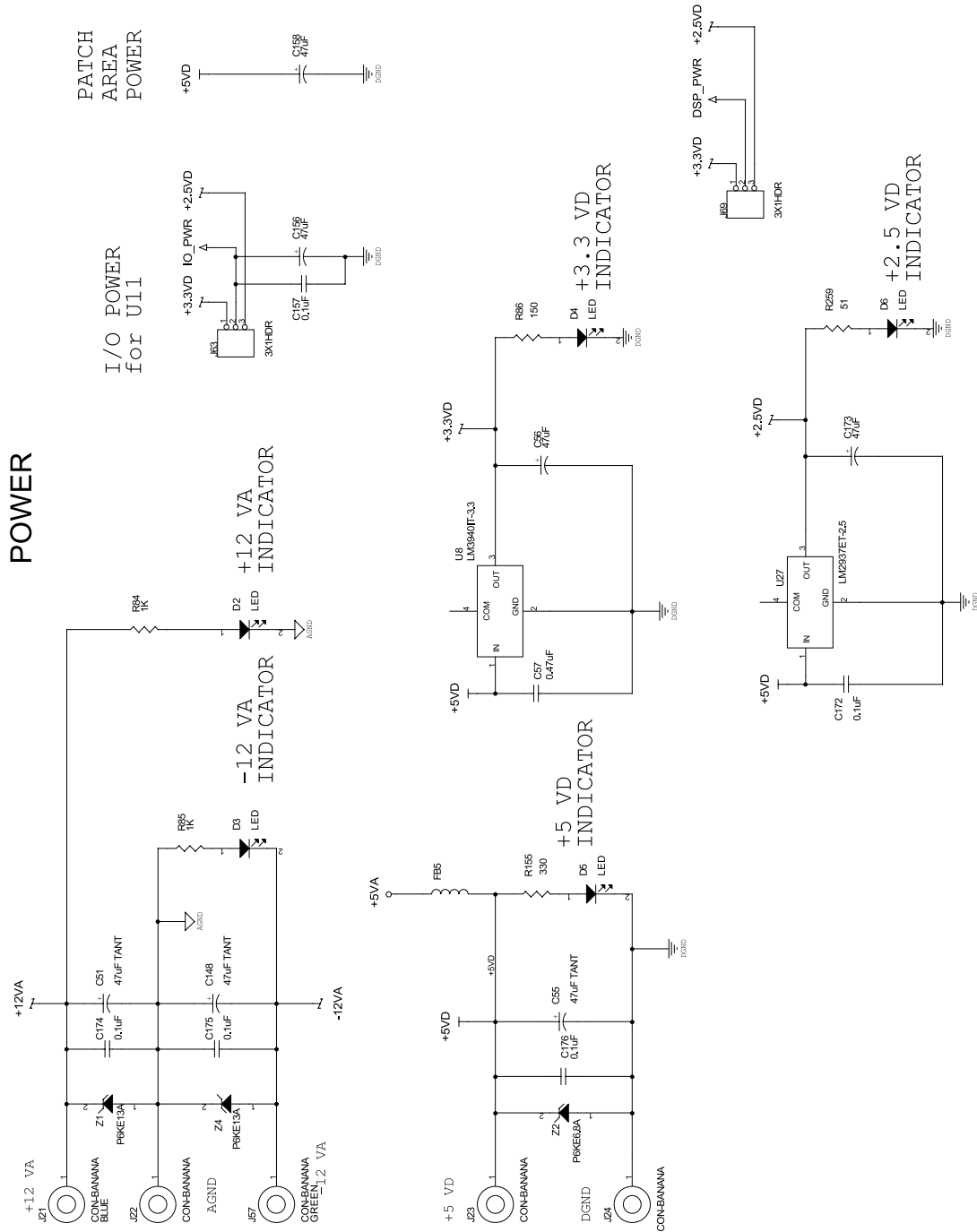


Figure 5. System Power

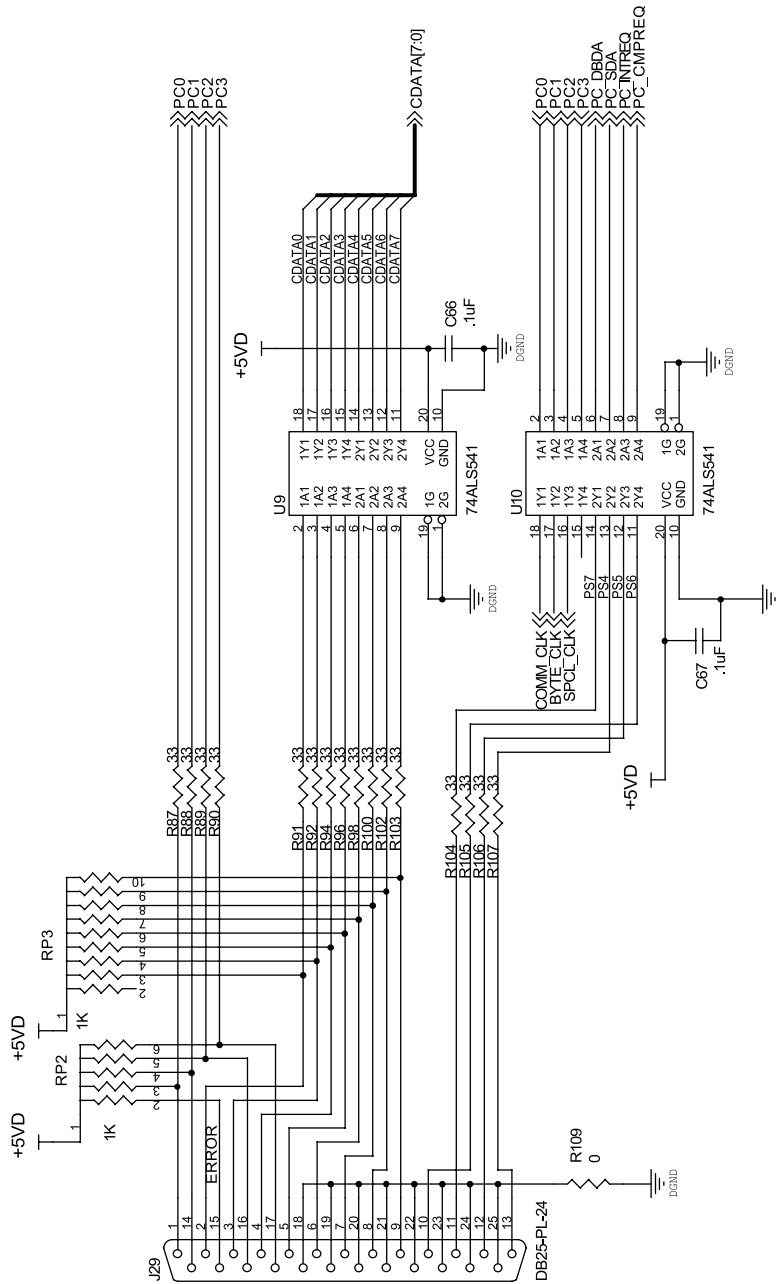


Figure 6. PC Interface

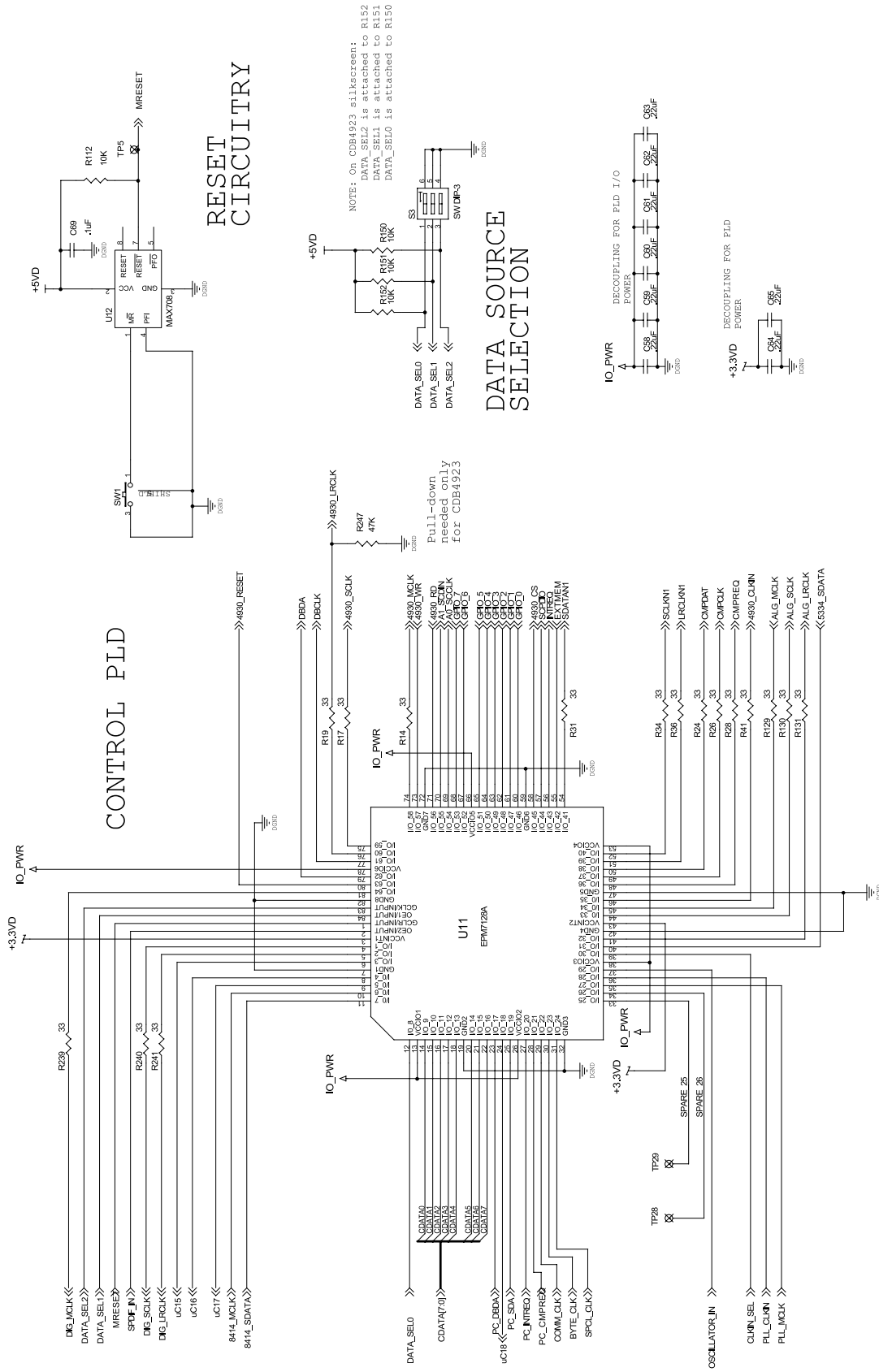


Figure 7. Control Logic

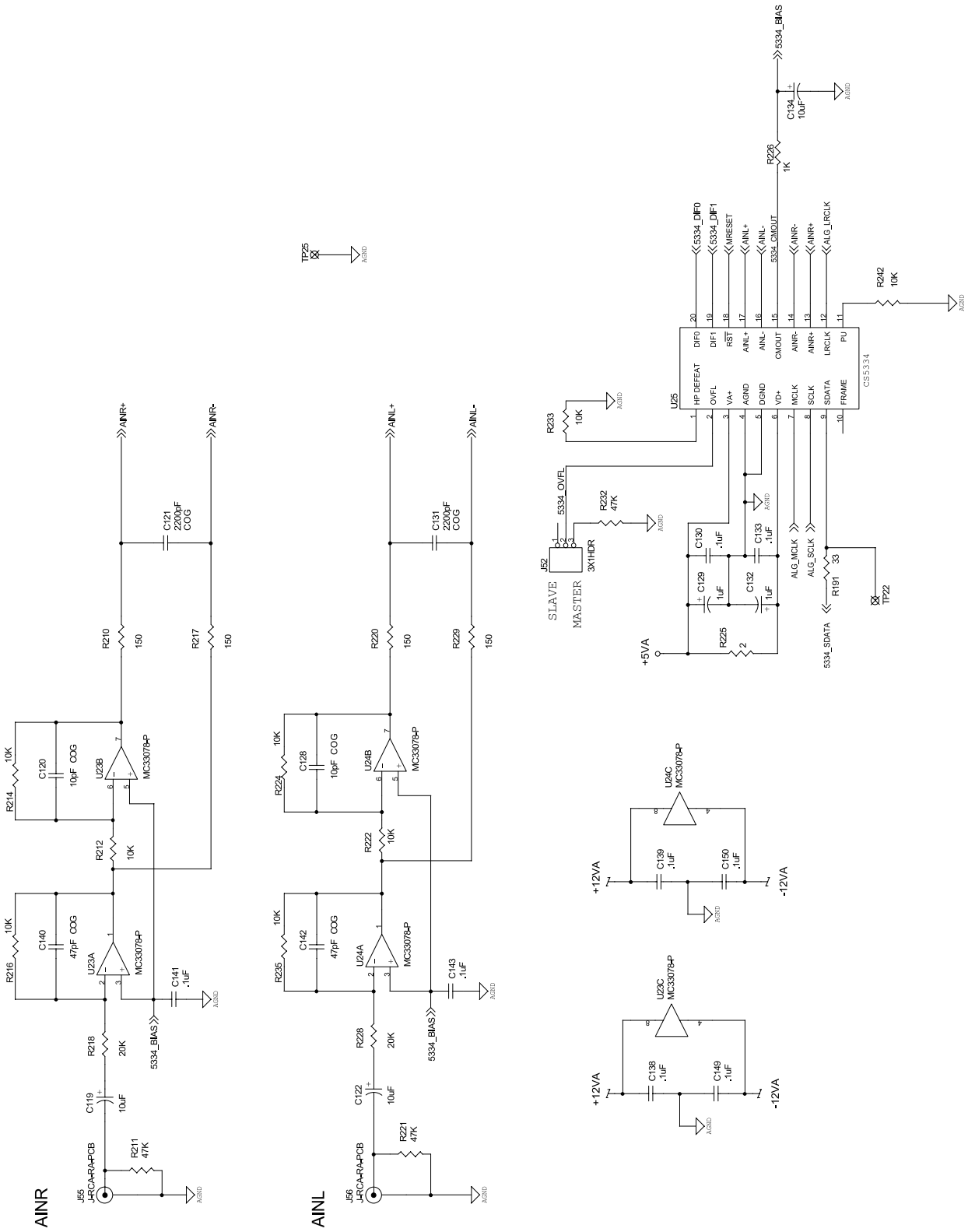


Figure 9. Analog Input

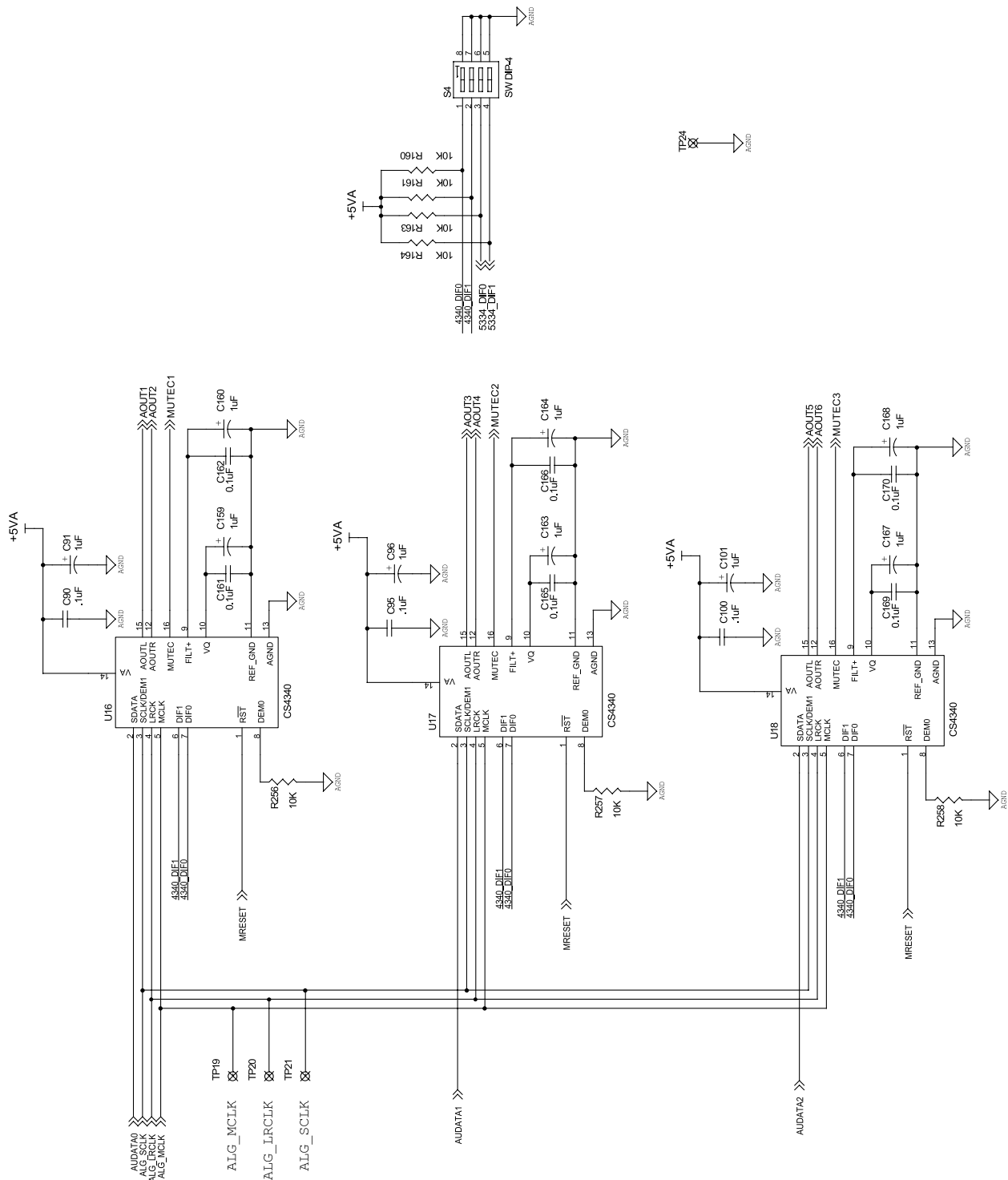


Figure 11. D/A Converters

Analog Outputs

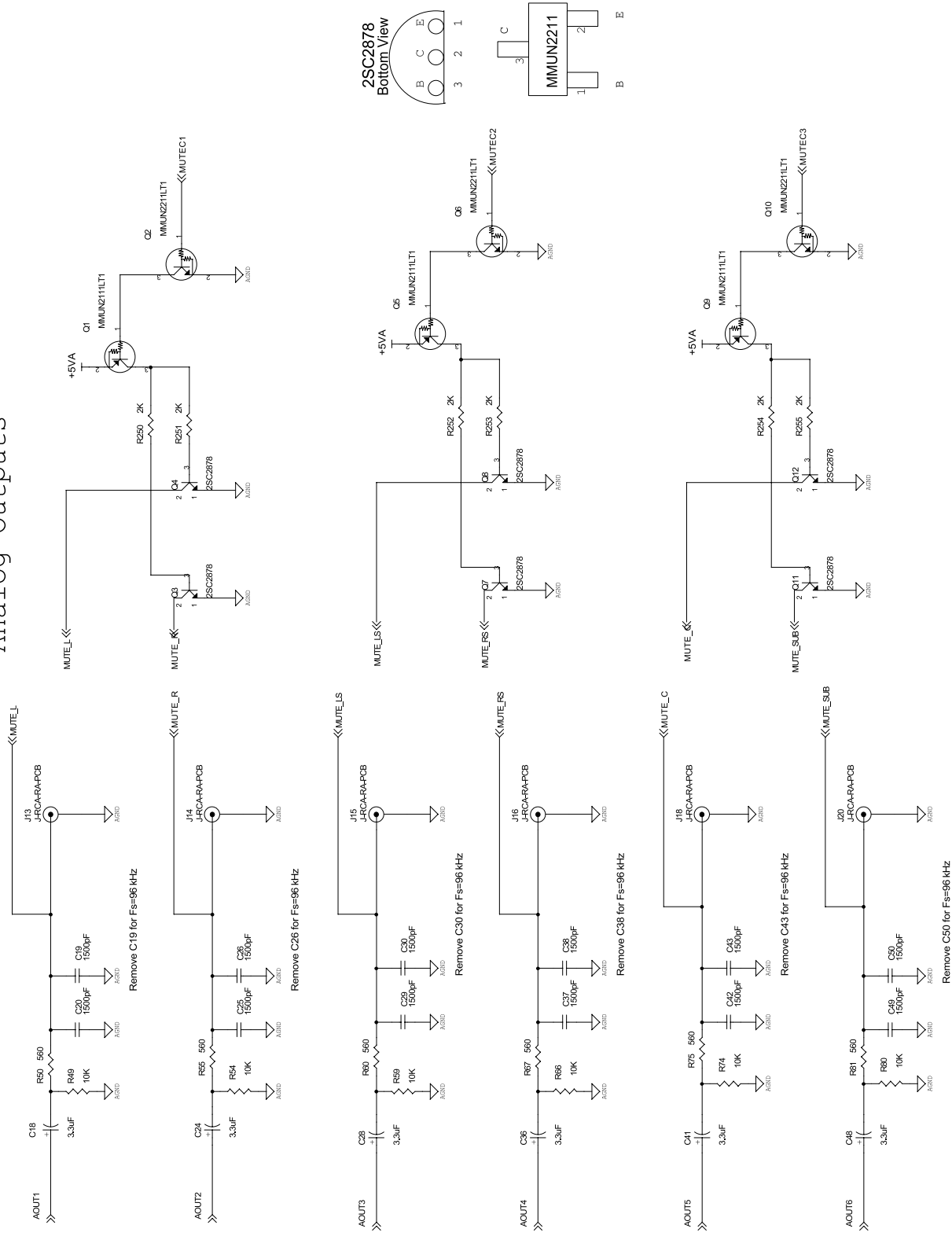
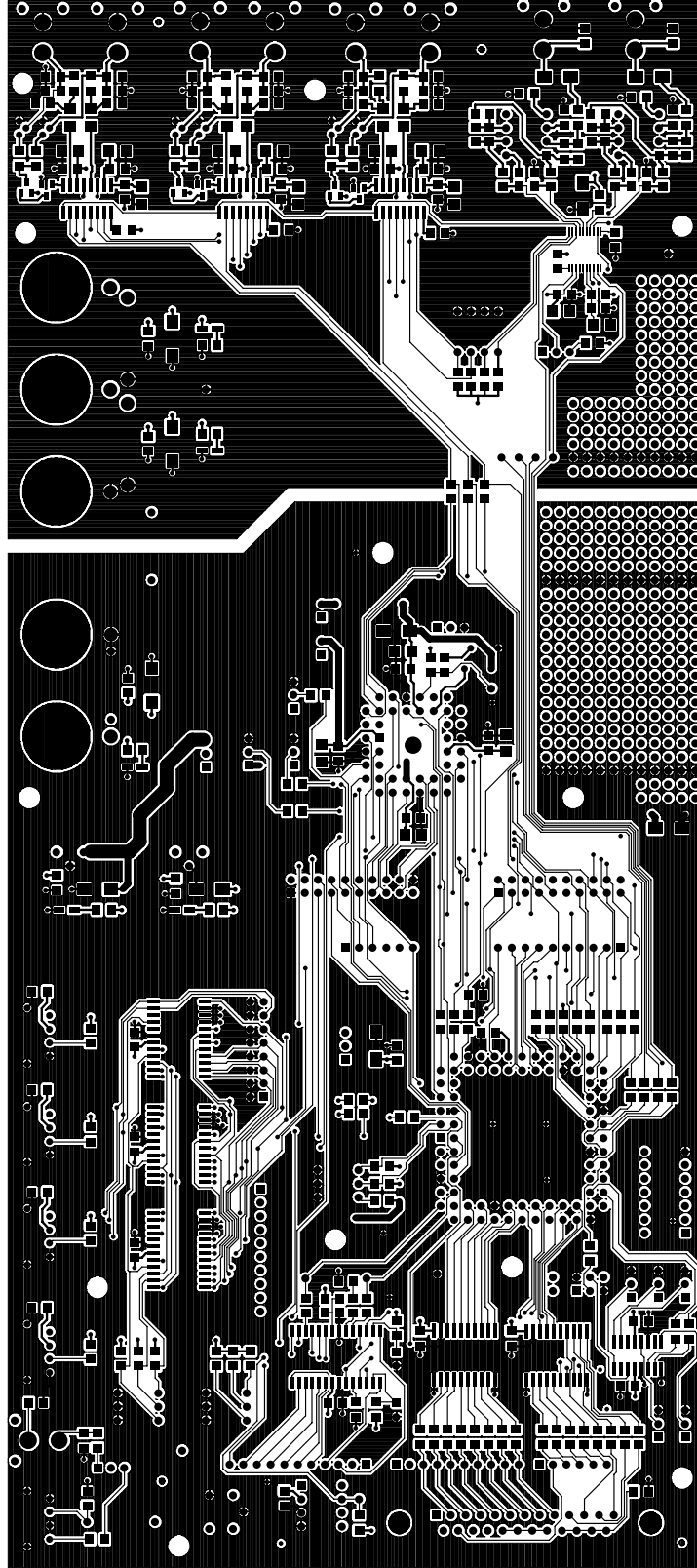


Figure 12. Analog Output

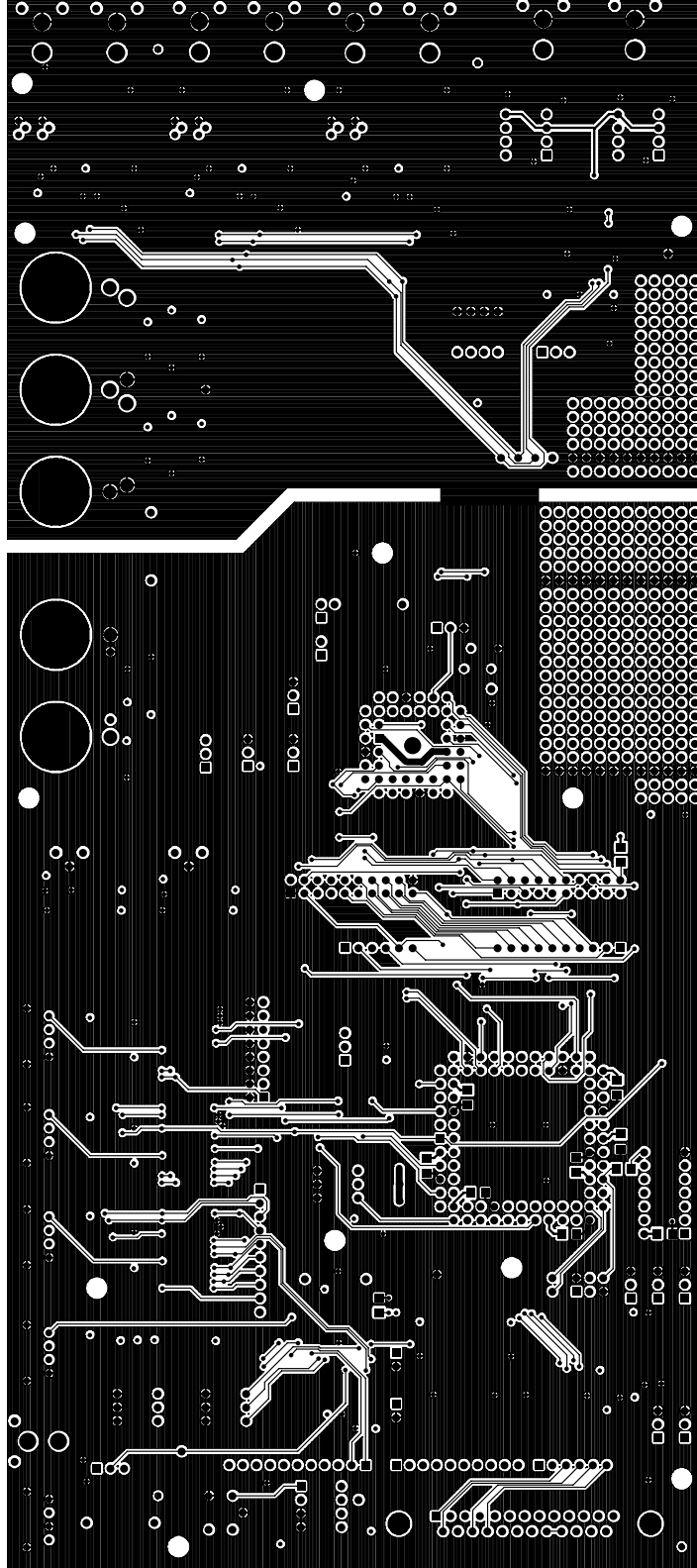
CRYSTAL SEMICONDUCTOR
CDB4923/30 Customer Demonstration Board
CDB4923/30 Rev A.0



TOP SIDE

Figure 14. Top Layer

CRYSTAL SEMICONDUCTOR
CDB4923/30 Customer Demonstration Board
CDB4923/30 Rev A.0



BOTTOM SIDE

Figure 15. Bottom Layer

CRYSTAL SEMICONDUCTOR
CDB4923/30 Customer Demonstration Board
CDB4923/30 Rev A.0

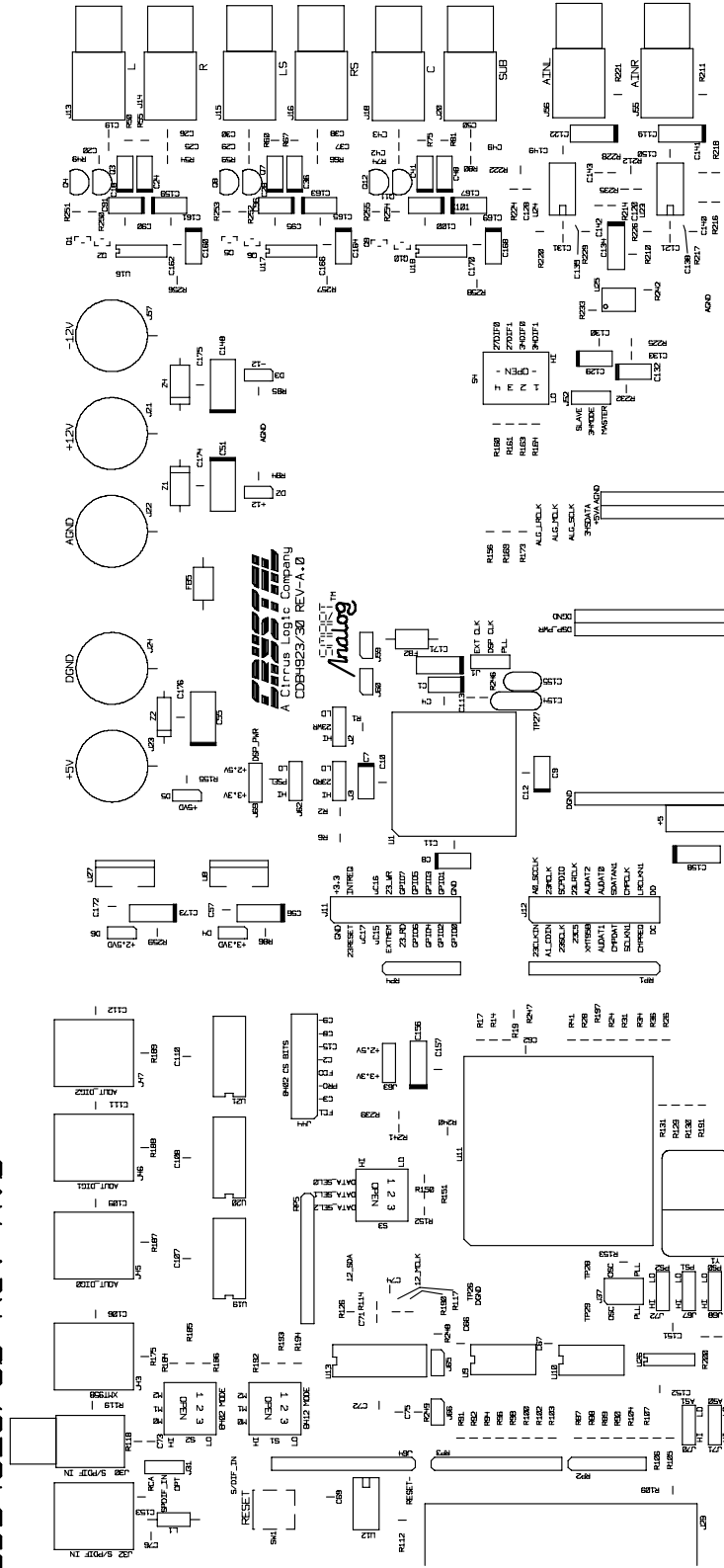
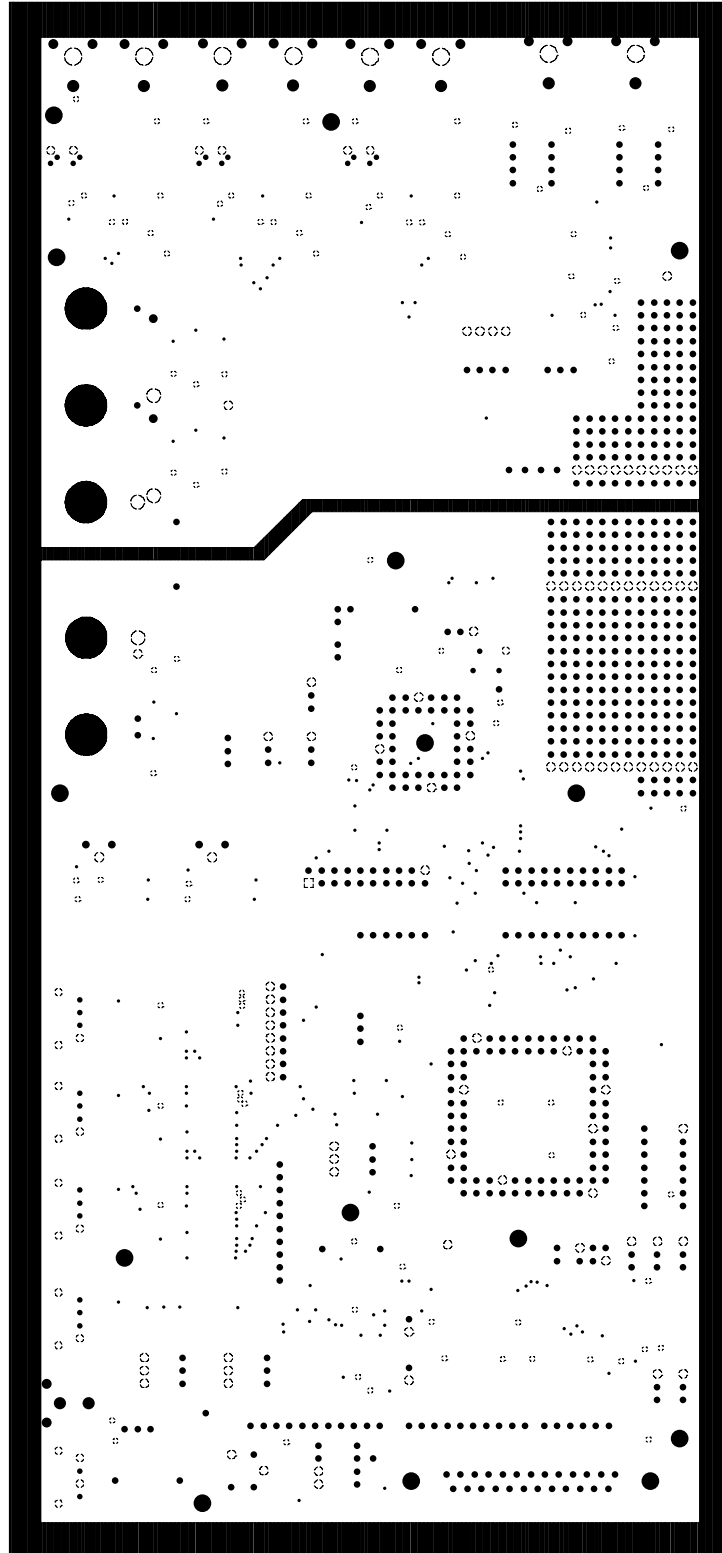


Figure 16. SSTOP

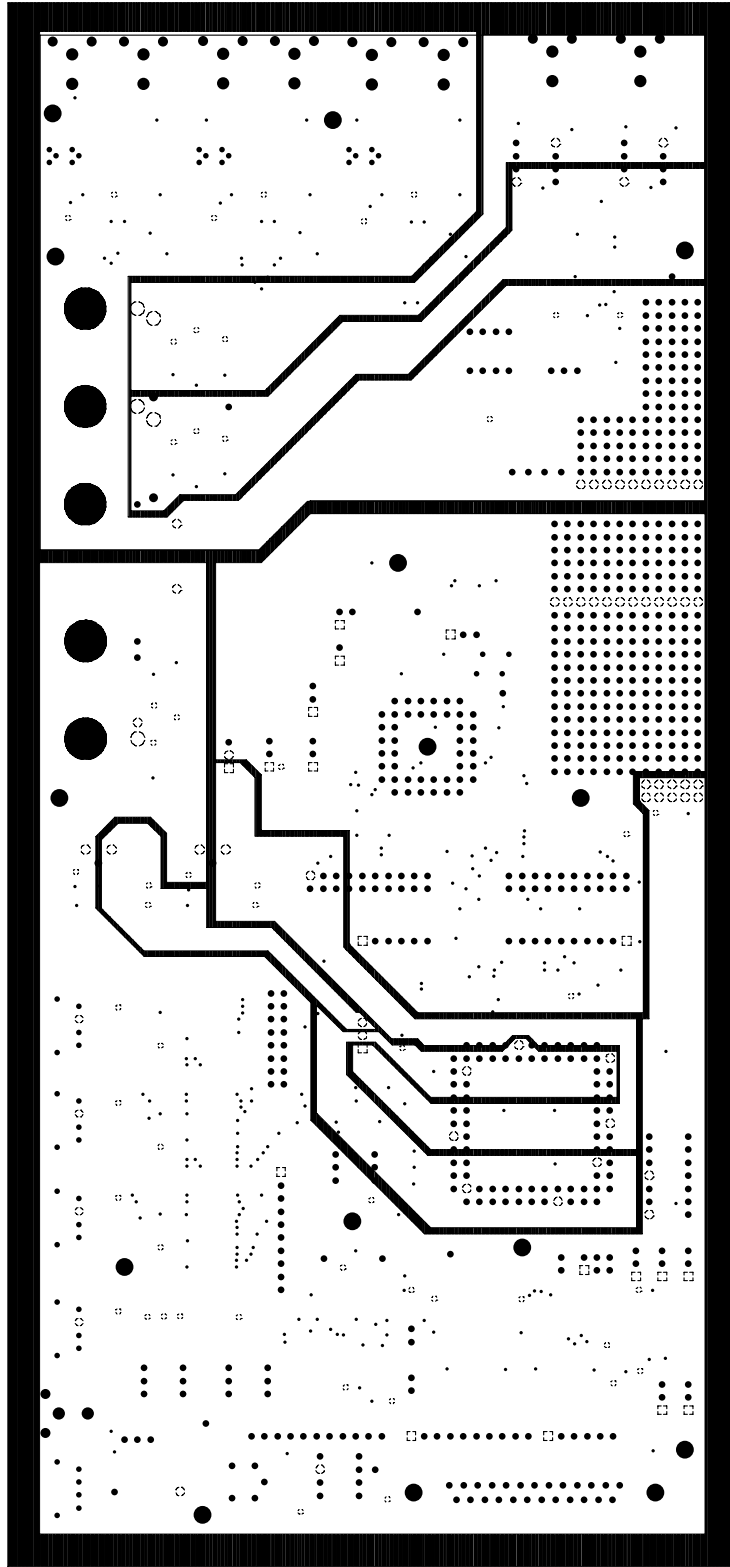
CRYSTAL SEMICONDUCTOR
CDB4923/30 Customer Demonstration Board
CDB4923/30 Rev A.0



LAYER 2

Figure 18. Layer 2

CRYSTAL SEMICONDUCTOR
CDB4923/30 Customer Demonstration Board
CDB4923/30 Rev A.0



LAYER 3

Figure 19. Layer 3



10. APPENDIX D: BILL OF MATERIALS

Item	Quan	Reference	Part Number	Manufacturer	Description
1	15	C1,C7,C8,C9,C91,C96,C101,C129,C132,C159,C160,C163,C164,C167,C168	T491B105M035AS	KEMET	CAP, 1UF, TANT, 3528, 35V, 10%
2	42	C4,C10,C11,C12,C66,C67,C68,C69,C71,C72,C90,C95,C100,C106,C107,C108,C109,C110,C111,C112,C130,C133,C138,C139,C141,C143,C149,C150,C151,C152,C153,C157,C161,C162,C165,C166,C169,C170,C172,C174,C175,C176	C1206C104K5RAC	KEMET	CAP, .1UF, X7R, 1206, 50V, 10%
3	6	C18,C24,C28,C36,C41,C48	T491B335K020AS	KEMET	CAP, 3.3UF, TANT, 3528, 20V, 10%
4	12	C19,C20,C25,C26,C29,C30,C37,C38,C42,C43,C49,C50	C1206C152F5GAC	KEMET	CAP, 1500PF, COG, 1206, 50V, 1%
5	3	C51,C55,C148	T491D476M020AS	KEMET	CAP, 47UF, TANT, 7343, 20V, 20%
6	5	C56,C156,C158,C171,C173	T491C476M010AS	KEMET	CAP, 47UF, TANT, 6032, 20V, 20%
7	1	C57	C1206C474K3RAC	KEMET	CAP, .47UF, X7R, 1206, 25V, 10%
8	8	C58,C59,C60,C61,C62,C63,C64,C65	C1206C224K5RAC	KEMET	CAP, .22UF, X7R, 1206, 50V, 10%
9	3	C73,C75,C76	C1206C103K5RAC	KEMET	CAP, .01UF, X7R, 1206, 50V, 10%
10	1	C74	12062R683K9BB2	PHILIPS	CAP, .068UF, X7R, 1206, 50V, 10%
11	1	C113	1206CG471J9BB2	PHILIPS	CAP, 470PF, COG, 1206, 50V, 5%
12	3	C119,C122,C134	T491C106K020AS	KEMET	CAP, 10UF, TANT, 6032, 20V, 10%
13	2	C128,C120	C1206C100J5GAC	KEMET	CAP, 10PF, COG, 1206, 50V, 5%
14	2	C131,C121	C1206C222J5GAC	KEMET	CAP, 2200PF, COG, 1206, 50V, 5%
15	2	C140,C142	C1206C470J5GAC	KEMET	CAP, 47PF, COG, 1206, 50V, 5%
16	1	C154	C340C225K5R5CA	KEMET	CAP, 2.2UF, X7R, C340, 50V, 10%
17	1	C155	C330C103K5R5CA	KEMET	CAP, .01UF, X7R, C330, 50V, 10%
18	5	D2,D3,D4,D5,D6	LN1351C-TR	PANASONIC	LED, GREEN, 3216
19	2	FB5,FB2	542-FB43-226	MOUSER	INDUCTOR, FERRITE BEAD
20	13	J1,J2,J3,J31,J52,J62,J63,J67,J68,J69,J70,J71,J72	TSW-103-07-G-S	SAMTEC	STAKE HEADER, 3X1, .1"CENTER, GOLD
21	2	J11,J12	TSW-110-07-G-D	SAMTEC	STAKE HEADER, 10X2, .1"CENTER, GOLD
22	1	J37	TSW-103-07-G-D	SAMTEC	STAKE HEADER, 3X2, .1" CENTER, GOLD
23	1	J44	TSW-108-07-G-D	SAMTEC	STAKE HEADER, 8X2, .1" CENTER, GOLD
24	4	J59,J60,J65,J66	TSW-102-07-G-S	SAMTEC	STAKE HEADER, 1X2, .1"CENTER, GOLD
25	1	J64	TSW-111-07-G-S	SAMTEC	STAKE HEADER, 11X1, .1"CENTER, GOLD
26	9	J13,J14,J15,J16,J18,J20,J30,J55,J56	16PJ097	MOUSER	CONNECTOR, RCA, RA, GOLD
27	1	J21	111-0110-001	JOHNSON COMPONENTS	BINDING POST, BLUE
28	2	J24,J22	111-0103-001	JOHNSON COMPONENTS	BINDING POST, BLACK
29	1	J23	111-0102-001	JOHNSON COMPONENTS	BINDING POST, RED



Item	Quan	Reference	Part Number	Manufacturer	Description
30	1	J57	111-0104-001	JOHNSON COMPONENTS	BINDING POST, GREEN
31	1	J29	747238-4	AMP	CONNECTOR, D-SUB, 25-PIN, MALE, RA
32	1	J32	TORX173	TOSHIBA	OPTICAL TOSLINK RECIEVER
33	4	J43,J45,J46,J47	TOTX173	TOSHIBA	OPTICAL TRANSMITTER
34	1	L1	43LS475	MILLER	INDUCTOR, 47UF
35	3	Q1,Q5,Q9	MMUN2111LT1	MOTOROLA	TRANSISTOR, PNP, SOT-23
36	3	Q2,Q6,Q10	MMUN2211LT1	MOTOROLA	TRANSISTOR, NPN, SOT-23
37	6	Q3,Q4,Q7,Q8,Q11,Q12	2SC2878	TOSHIBA	TRANSISTOR, TO-92
38	2	RP5,RP1	4610X-101-103	BOURNS	RES NETWORK, 10K-OHM, 10-PIN, BUSSED
39	1	RP2	4606X-101-102	BOURNS	RES NETWORK, 1K-OHM, 6-PIN, BUSSED
40	1	RP3	4610X-101-102	BOURNS	RES NETWORK, 1K-OHM, 10-PIN, BUSSED
41	1	RP4	4606X-101-103	BOURNS	RES NETWORK, 10K-OHM, 6-PIN, BUSSED
42	37	R1,R2,R49,R54,R59,R66,R74,R80,R112,R120,R150,R151,R152,R153,R160,R161,R163,R164,R184,R185,R186,R192,R193,R194,R212,R214,R216,R222,R224,R233,R235,R242,R248,R249,R256,R257,R258	CRCW12061002FT	DALE	RES, 10K-OHM, 1206, 1%, 1/8W, METAL FILM
43	3	R6,R196,R197	CRCW1206472JT	DALE	RES, 4.7K-OHM,1206, 5%, 1/8W, METAL FILM
44	38	R14,R17,R19,R24,R26,R28,R31,R34,R36,R41,R87,R88,R89,R90,R91,R92,R94,R96,R98,R100,R102,R103,R104,R105,R106,R107,R110,R126,R129,R130,R131,R190,R191,R198,R200,R239,R240,R241	CRCW1206330JT	DALE	RES, 33-OHM, 1206, 5%, 1/4W, METAL FILM
45	6	R50,R55,R60,R67,R75,R81	CRCW12065610FT	DALE	RES, 560-OHM, 1206, 1%, 1/4W, METAL FILM
46	3	R84,R85,R226	CRCW12061001FT	DALE	RES, 1K-OHM, 1206, 1%, 1/8W, METAL FILM
47	5	R86,R210,R217,R220,R229	CRCW1206151JT	DALE	RES, 150-OHM, 1206, 5%, 1/8W, METAL FILM
48	5	R109,R119,R156,R169,R173	CRCW1206000ZP	DALE	RES, 0-OHM, 1206, 1%, 1/8W, METAL FILM
49	2	R114,R225	CRCW12062R0JT	DALE	RES, 2-OHM, 1206, 5%, 1/8W, METAL FILM
50	1	R117	CRCW12064750FT	DALE	RES, 470-OHM, 1206, 1%, 1/4W, METAL FILM
51	1	R118	CRCW1206750JT	DALE	RES, 75-OHM, 1206, 5%, 1/4W, METAL FILM
52	1	R155	CRCW12063320FT	DALE	RES, 330-OHM, 1206, 1%, 1/8W, METAL FILM
53	4	R175,R187,R188,R189	CRCW12061782FT	DALE	RES, 17.8K-OHM, 1206, 1%, 1/8W, METAL FILM
54	4	R211,R221,R232,R247	CRCW12064752FT	DALE	RES, 47K-OHM, 1206, 1%, 1/8W, METAL FILM
55	2	R218,R228	CRCW1206203JT	DALE	RES, 20K-OHM, 1206, 5%, 1/8W, METAL FILM
56	1	R246	CRCW12063302FT	DALE	RES, 33K-OHM, 1206, 1%, 1/8W, METAL FILM
57	6	R250,R251,R252,R253,R254,R255	CRCW1206202JT	DALE	RES, 2K-OHM, 1206, 5%, 1/4W, METAL FILM
58	1	R259	CRCW1206510JT	DALE	RES, 51-OHM, 1206, 5%, 1/4W, METAL FILM



Item	Quan	Reference	Part Number	Manufacturer	Description
59	1	SW1	PT645TL50	C&K	SWITCH,PB,DPST,5 LEG
60	3	S1,S2,S3	76SB03	GRAYHILL	DIP SWITCH, 3 POSITION
61	1	S4	76SB04	GRAYHILL	DIP SWITCH, 4 POSITION
62	14	TP5,TP17,TP18,TP19,TP20,TP21,TP22,TP23,TP24,TP25,TP26,TP27,TP28,TP29	TSW-101-07-G-S	SAMTEC	STAKE HEADER, 1X1, .1"CENTER, GOLD
63	1	U1	CS493001-CL	CRYSTAL	
64	1	UX1	540-93-044-24-000	MILL-MAX	SOCKET-D.U.T. HOLE, PLCC-44, PIH
65	1	U8	LM3940IT-3.3	NATIONAL SEMICONDUCTOR	+3.3V REGULATOR, TO-220
66	2	U10,U9	DM74ALS541WM	FAIRCHILD SEMICONDUCTOR	IC,OCTAL BUFFER/LINE DRIVER/LINE RECIEVER,SO20
67	1	U11	EPM7128ALC84-12	ALTERA	INTEGRATED CIRCUIT, PLCC84
68	1	UX11	540-99-084-24-000	MILL-MAX	SOCKET, PLCC-84, PIH
69	1	U12	MAX708ACT	MAXIM	INTEGRATED CIRCUIT, SUPERVISORY CIRQUIT,
70	1	U13	CS8414-CS	CRYSTAL SEMI.	INTEGRATED CIRCUIT, SOIC28 - WIDE
71	3	U16,U17,U18	CS4340-KS	CRYSTAL	INTEGRATED CIRCUIT, 24-bit, 96kHz DAC, 16pin SOIC
72	3	U19,U20,U21	CS8404A-CS	CRYSTAL SEMICONDUCTOR	INTEGRATED CIRCUIT, SOIC24 - WIDE
73	2	U23,U24	MC33078-P	MOTOROLA	INTEGRATED CIRCUIT, DUAL OP AMP, DIP-8
74	2	UX23,UX24	110-93-308-41-001	MILL-MAX	SOCKET, 300-MILL, DIP-8
75	1	U25	CS5334-KS	CRYSTAL SEMICONDUCTOR	INTEGRATED CIRCUIT, SSOP20
76	1	U26	MK2744-10S	MICRO-CLOCK	INTEGRATED CIRCUIT,
77	1	U27	LM2937ET-2.5	NATIONAL SEMICONDUCTOR	VOLTAGE REGULATOR, +2.5V, TO-220
78	1	Y1	CX21AF-27.000MHZ	CAL CRYSTAL	OSCILATOR,, 27.000MHZ, TTL/CMOS, DIP-14
79	1	YX1	110-93-314-41-001	MILL-MAX	SOCKET, 300-MILL, DIP-14
80	2	Z1,Z4	P6KE16A	MOTOROLA	DIODE, ZENER, AXIAL, 13V, DO-15
81	1	Z2	P6KE6.8A	MOTOROLA	DIODE, ZENER, AXIAL, 6.8V, DO-7
82	5	J21,J22,J23,J24,J57	L1.50x.25TX.25T, TY PE E 24/19	SQUIRES	BINDING POST HOOK UP WIRES
83	2	FB5,FB2	C2015L-1000-ND	DIGI-KEY	24AWG/HOOK-UP/STRNED FOR FERRITE BEADS
84	6	HARDWARE	8F1943	NEWARK	STANDOFFS
85	6	HARDWARE	HD343-ND	DIGI-KEY	SCREWS, 4/40, 1/4"
86	1	PCB	CDB4923/30 REV-A	PROTECH	PRINTED CIRCUIT BOARD

11. APPENDIX E: EXTERNAL MEMORY SCHEMATICS

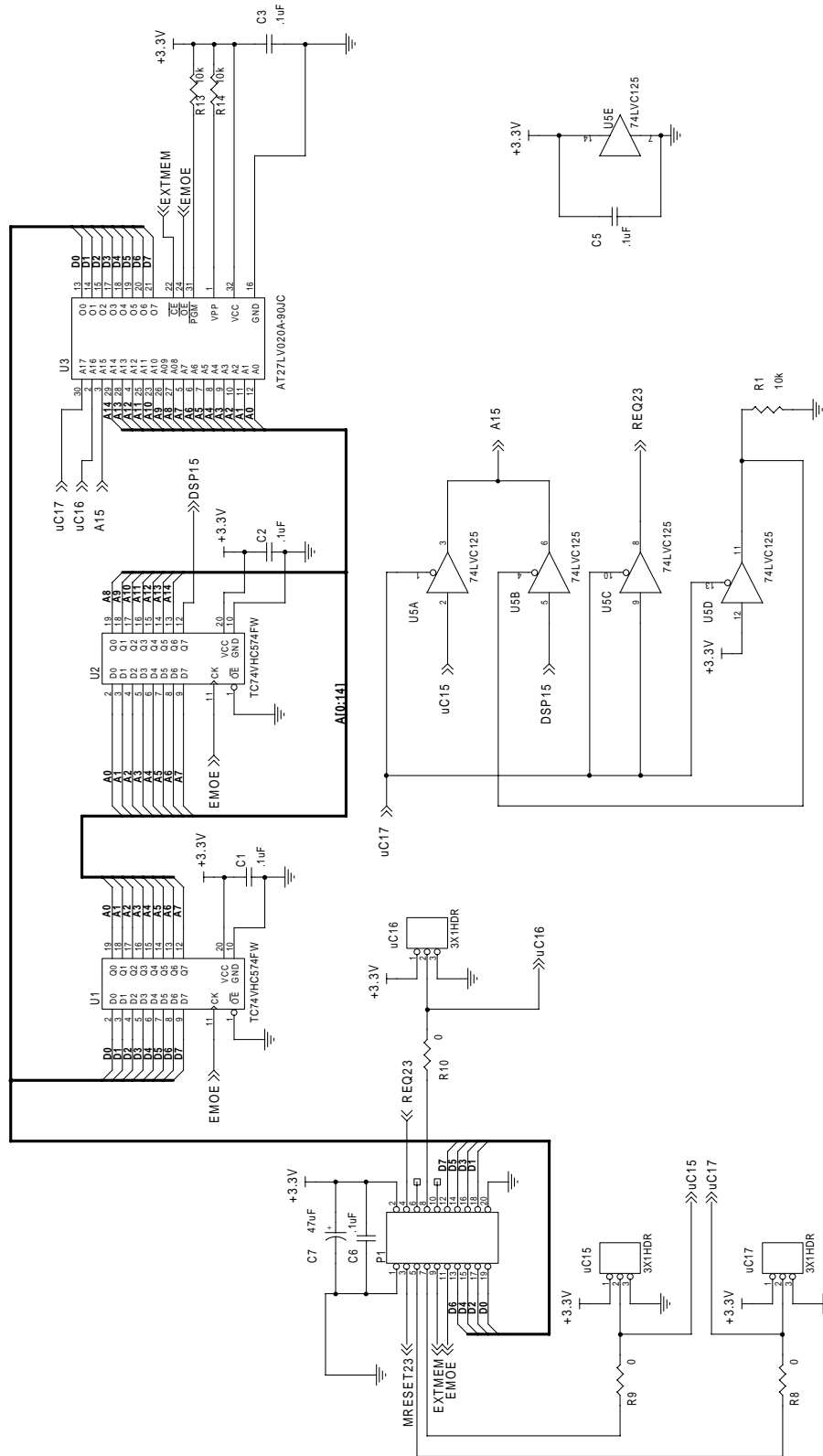


Figure 20. CRD4923-MEM Schematic

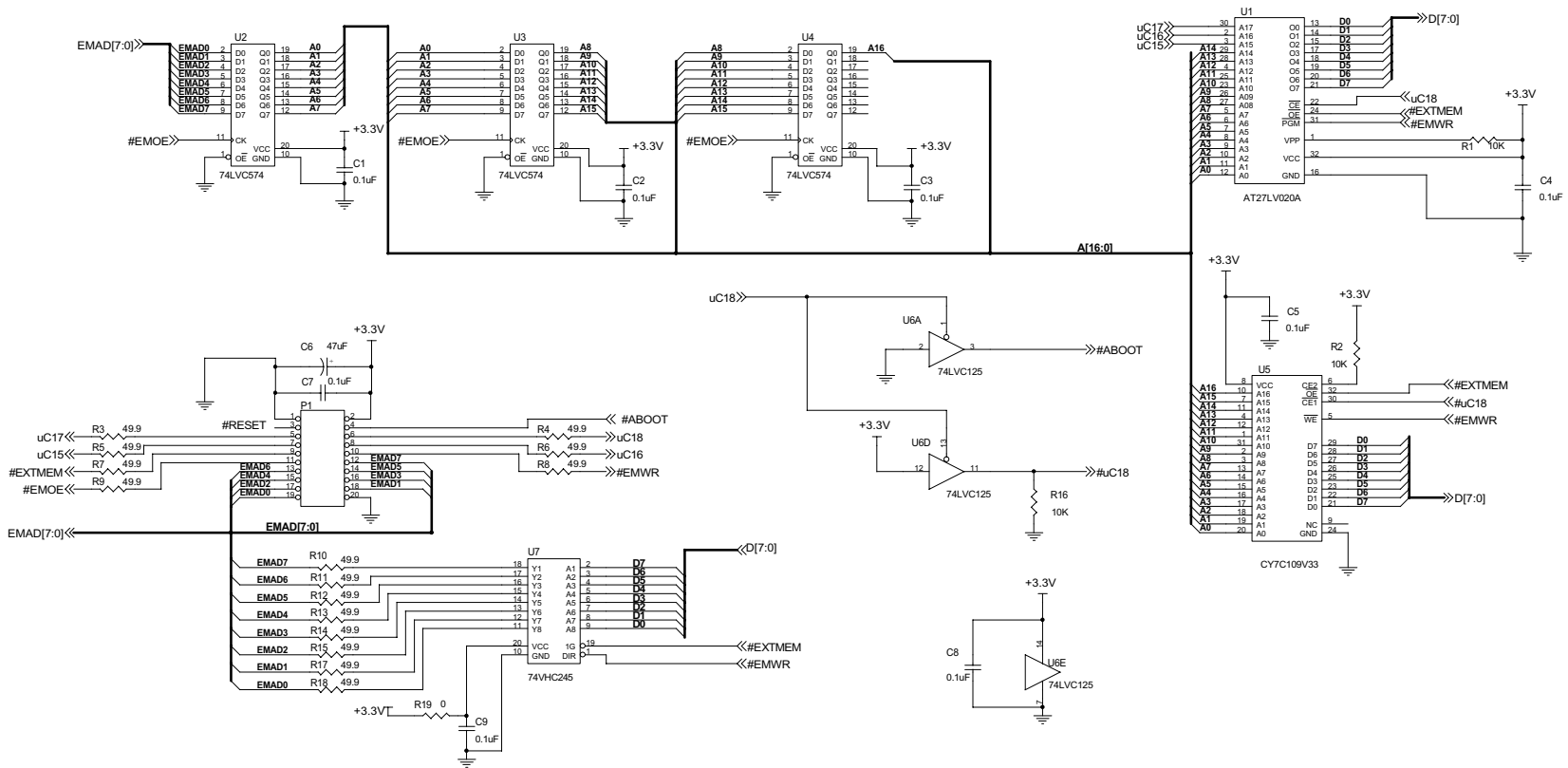


Figure 21. CDB49300-MEM Schematic



12. APPENDIX F: BOARD CONTROL SOFTWARE

There is a suite of programs used to control the CDB4923/300. The definitions given refer to 'CDB30' executables which should be used with the both the CDB4923 and the CDB300.

These software tools are designed to operate from a DOS prompt and can work with any parallel port address (LPT1, LPT2, or LPT3). The default address for all of the programs is 0x378 (also known as LPT1), but the port address can be changed by using the '-p' option provided with every tool. Each time a program is executed, the address that was used is echoed to the screen. If a program seems to fail, verification of the parallel port address should be the first step in troubleshooting.

All of these programs are designed to access the CS492x/CS493xx using SPI or I2C serial communication, or INTEL or MOTOROLA parallel communication. The communication mode can be

chosen from the command line with the '-m' option. It should be remembered that the mode chosen must correspond to the communication mode used by the CS492x/CS493xx. If the DSP is using a communication mode which does not match the software setting, results will be unpredictable. Please see *Digital Signal Processor* of this datasheet to learn how to change the DSP's communication mode.

The source code for all programs can be found on the floppy disk provided with the CDB4923/300. These programs are documented and will provide insight into communicating successfully with the CS492x/CS493xx. The source for CDB30_LD is particularly useful since it demonstrates the full handshaking protocol required during boot-up of the CS492x/CS493xx.

CDB30_LD - program used to load code into the CS492x/CS493xx.

```
Usage:      cdb30_ld <input_file.ld> [-pXXX] [-mY] [-v]

            -p = parallel port address
            XXX = address (0x278, 378* or 3bc)

            -m = communication mode
            Y = mode designator (i = I2C*, s=SPI, m=MOT, n=INT)

            -v = disable verbose mode

            * = default
```

CDB30CMD - program used to send commands, or configuration files to the CS492x/CS493xx.

```
Usage:      cdb30cmd <[ABCDEF] or [-fY]> [-mZ] [-pXXX] [-v]

            ABCDEF = Three byte hex command
            -f = send configuration file
            Y = .cfg file with configuration parameters

            -p = parallel port address
            XXX = address (0x278, 378* or 3bc)

            -m = communication mode
            Z = mode designator (i = I2C*, s = SPI, m=MOT, n=INT)

            -v = disable verbose mode
```

* = default

EXAMPLES:

cdb23cmd 000001 -p3bc
cdb23cmd -fac3.cfg -mS -p3bc

CDB30_RD - program used to read back responses from the CS492x/CS493xx. If the INTREQ pin is not low when CDB30_RD is executed, the program will wait until INTREQ drops. Press the 'Enter' key to exit the read wait loop.

Usage: cdb30_rd [-pXXX] [-mY] [-v] [-h]

-p = parallel port address
XXX = address (0x278, 378* or 3bc)

-m = communication mode
Y = mode designator (i = I2C*, s = SPI, m=MOT, n=INT)

-v = disable verbose mode

-h = this message

* = default

CDB30RST - program used to perform hard reset or soft reset on the CS492x/CS493xx.

Usage: cdb30rst [-s] [-pXXX] [-mY] [-v] [-h]

-s = Soft Reset

-p = parallel port address
XXX = address (0x278, 378* or 3bc)

-m = communication mode
Y = mode designator (i = I2C*, s = SPI, m=MOT, n=INT)

-v = disable verbose mode

-h = this message

* = default

PARLLPLY - program used to deliver compressed audio files to the parallel host port of the CS492x/CS493xx from the PC.

Usage: parllply <input_file> [-pXXX] [-mY] [-l] [-b] [-cNNN]

-p = parallel port address
XXX = address (0x278, 378* or 3bc)

-l = Loop Mode

-b = Byte Swap

-m = Parallel control mode
Y = n (INTEL) or m (MOTOROLA)*

-c = Chunk Size
NNN = transfer size in words (252*)

* = default

CDB30_AD - program used to demonstrate autodetection on the CDB4923/300 only with IEC61937 or IEC60958 input. This program will download new application code from the PC each time a format change has been detected. The user should specify 'invalid' for any application code or configuration file which does not exist. This program only allows serial control.

Usage: cdb30_ad <AC3 .ld> <AC3 .cfg> <MPEG .ld> <MPEG .cfg> <DTS .ld> <DTS .cfg> <PCM .ld> <PCM .cfg> [-pXXX] [-mY] [-v]

Specify invalid for non-existent .ld/.cfg.

-p = parallel port address
XXX = address (0x278, 378* or 3bc)

-m = communication mode
Y = mode designator (i = I2C*, s = SPI)

-v = disable verbose mode

* = default

EXAMPLE:

cdb30_ad ac3_263b.ld ac3_ad.cfg invalid invalid dts_2637.ld dts_ad.cfg
ac3_263b.ld pcm_ad.cfg -p3bc -ms

13. APPENDIX G: IC COMPONENT LISTING BY FUNCTION**13.1 POWER**

U8	3.3 V Voltage Regulator {Figure 5}
U27	2.5 V Voltage Regulator {Figure 5}

13.2 RESET

U12	MAX708 Reset chip {Figure 7}
-----	------------------------------

13.3 CLOCKING

U26	MK2744 Programmable Phase Locked Loop (PLL) {Figure 8}
Y1	Oscillator {Figure 8}

13.4 SIGNAL ROUTING/LEVEL CONVERSION

U11	EPM7128E Programmable Logic Device {Figure 7}
-----	---

13.5 DSP

U1	CS492x/CS493xx Multi-Channel Audio Decoder {Figure 4}
----	---

13.6 INPUT

U9	Signal Buffer for Parallel Port {Figure 6}
U10	Signal Buffer for Parallel Port {Figure 6}
U13	CS8414 S/PDIF receiver {Figure 10}
U23	MC33078 Analog Input Buffer {Figure 9}
U24	MC33078 Analog Input Buffer {Figure 9}
U25	CS5334 20-bit A/D converter {Figure 9}

13.7 OUTPUT

U16	CS4340 20-bit D/A converter {Figure 11}
U17	CS4340 20-bit D/A converter {Figure 11}
U18	CS4340 20-bit D/A converter {Figure 11}
U19	CS8404A S/PDIF transmitter {Figure 13}
U20	CS8404A S/PDIF transmitter {Figure 13}
U21	CS8404A S/PDIF transmitter {Figure 13}

14. APPENDIX H: JUMPERS LISTED BY FUNCTION

14.1 AUDIO INPUT JUMPERS

- J31 This jumper is used to select the input connector which is being used to receive S/PDIF data. Placing the jumper in the 'RCA' position enables the RCA jack, and placing the jumper in the 'OPT' position enables the TORX173 optical receiver.
Default: *OPT*
- J52 This jumper is used to control the MASTER/SLAVE clocking mode of the CS5334 as described in the CS5334 datasheet. This jumper should be left in the 'SLAVE' position when using the factory programmed PLD provided with the CDB4923/300.
Default: *SLAVE*
- J65 This jumper is used to control the SEL pin of the CS8414. This pin, in conjunction with J66, is used to select which channel status pin information to display on the status output pins. Please refer to the CS8414 datasheet for more details on how to configure the CS8414.
Default: *HI* (Not Populated).
- J66 This jumper is used to control the CS12/FCK pin of the CS8414. This pin, in conjunction with J65, is used to select which channel status pin information to display on the status output pins. Please refer to the CS8414 datasheet for more details on how to configure the CS8414.
Default: *HI* (Not Populated).

14.2 AUDIO OUTPUT JUMPERS

- J44 This particular component is actually a set of jumpers. Each individual jumper can be used to control the state of one channel status bit in the outgoing S/PDIF stream created by the CS8404A. More details can be found in the datasheet for the CS8404A and the specifications for IEC60958 and IEC61937 bitstreams.
Default: All bits *HI* {Not Populated}

14.3 DSP JUMPERS

- J1 This jumper is used to control the internal clocking of the CS492x/CS493xx. When in the 'CLKIN' position, the CS492x/CS493xx uses the clock on the CLKIN pin to drive the DSP core directly. When in the 'PLL' position, the CS492x/CS493xx derives all internal clocks from the reference frequency provided at the CLKIN pin.
Default: *CLKIN*
- J2 This jumper selects the pull-up/pull-down state of the CS492x/CS493xx's \overline{WR} pin. This jumper is used in conjunction with J3 and J62 to select the Host Interface Mode of the CS492x/CS493xx when it comes out of reset. By default the CDB4923/300 is configured for I²C serial communication. The settings for J2 (\overline{WR}), J3 (\overline{RD}) and J62 (PSEL) are detailed in the CS4923/4/5/6/7/8/9 datasheet and the CS49300 datasheet.
Default: *HI*
- J3 This jumper selects the pull-up/pull-down state of the CS492x/CS493xx's \overline{RD} pin. This jumper is used in conjunction with J2 and J62 to select the Host Interface Mode of the CS492x/CS493xx when it comes out of reset. By default the CDB4923/300 is configured for I²C serial communication. The settings for J2 (\overline{WR}), J3 (\overline{RD}) and J62 (PSEL) are detailed in the CS4923/4/5/6/7/8/9 datasheet and the CS49300 datasheet.
Default: *LO*
- J11 Stake header providing some serial communication lines, and all general purpose I/O pins. This header is also serves as the memory interface to the CRD4923_MEM/CDB49300_MEM. This

header can be used to probe signals during normal operation, and may be used as a wirewrap point when using Data Selection Mode 0 or 1, as detailed in the Data Selection section of this datasheet.

- J12 Stake header providing access to all serial audio data and clock pins. This header can be used to probe signals during normal operation, and may be used as a wirewrap point when using Data Selection Mode 0 or 1, as detailed in the Data Selection section of this datasheet
- J62 This jumper selects the pull-up/pull-down state of the CS492x/CS493xx's PSEL pin. When coming out of reset, the state of the PSEL pin determines which parallel interface mode to use (Motorola or Intel) when initializing the CS492x/CS493xx into a parallel host interface mode. This jumper is used in conjunction with J2 and J3 to select the Host Interface Mode of the CS492x/CS493xx when it comes out of reset. Because the PSEL pin has multiplexed functionality it also serves as SCDIO when in I²C mode. By default this jumper is in the 'HI' position since the board is initially configured for I²C serial communication and the SCDIO pin is open-drained. The settings for J2 (WR), J3 (RD) and J62 (PSEL) are detailed in the CS4923/4/5/6/7/8/9 datasheet and the CS49300 datasheet.
Default: *HI*

14.4 POWER JUMPERS

- J59 This jumper connects DSP_PWR to the analog side of the CS492x/CS493xx. Analog current consumption can be measured by removing this jumper and connecting an ammeter in series with the jumper.
Default: *INSTALLED*
- J60 This jumper connects DSP_PWR to the digital side of the CS492x/CS493xx. Digital current consumption can be measured by removing this jumper and connecting an ammeter in series with the jumper.
Default: *INSTALLED*
- J63 This jumper is used to select the maximum voltage at which the I/O pins of the system PLD (U11) will drive its outputs. The user can select between +3.3 V and +2.5 V.
Default: +3.3 V
- J69 This jumper (DSP_PWR) is used to select the core voltage for DSP power. This jumper is provided to allow the user to evaluate both the CS4923/4/5/6/7/8 family and the CS49300 family of audio decoders. The CS4923/4/5/6/7/8 family requires +3.3 V, while the CS49300 family requires +2.5 V. The user can select between +3.3 V and +2.5 V.
CDB4923 Default: +3.3 V
CDB49300 Default: +2.5 V

14.5 SYSTEM CLOCKING JUMPERS

- J37 This dual position jumper select between an oscillator or the MK2744-10S discrete PLL (U26) as the external clock source for the DSP of the CS492x/CS493xx, and it also selects the system MCLK for non-S/PDIF input modes. It is important to note the jumpers of J37 must move together. They must be both in the 'OSC' position or they must both be in the 'PLL' position. Moving only one jumper will result in erratic behavior.

When both jumpers are in the 'OSC' position, the CS492x/CS493xx CLKIN pin is driven by the oscillator, Y1, and some of the data modes chosen by switch S3 will provide a system MCLK which is also derived from Y1. Specifically, all data selection modes listed in Table 9 and Table 24 showing an MCLK Source of 'OSC/PLL' will generate a system MCLK equal to the frequency of the oscillator Y1.

If you have questions about how to utilize the external PLL, please contact the factory before

adjusting this jumper. Y1 **must** be a 27 MHz oscillator before attempting to use U26. When both jumpers are in the 'PLL' position, U26 will drive the CLKIN pin of the CS492x/CS493xx with the configured PCLK (refer to Table 12 or Table 22), and the system MCLK will be driven by ACLK. The frequency of MCLK can be programmed by changing the values of the AS1 and AS0 pins of U26 as detailed in Table 13 of this datasheet.

Default: OSC OSC

- J67 Jumper used to set the value of the PS1 pin of U26. This jumper, in conjunction with J68 and J72, determines the processor clock frequency provided by the external PLL. Please refer to Table 12 or Table 22 for more details.
Default: LO
- J68 Jumper used to set the values of the PS0 pin of U26. This jumper, in conjunction with J67 and J72, determines the processor clock frequency provided by the external PLL. Please refer to Table 12 or Table 22 for more details.
Default: HI
- J70 Jumper used to set the values of the AS1 pin of U26. This jumper, in conjunction with J71, determines the MCLK frequency provided by the external PLL. Please refer to Table 13 for more details.
Default: HI
- J71 Jumper used to set the values of the AS0 pin of U26. This jumper, in conjunction with J70, determines the MCLK frequency provided by the external PLL. Please refer to Table 13 for more details.
Default: 50
- J72 Jumper used to set the values of the PS2 pin of U26. This jumper, in conjunction with J67 and J68, determines the processor clock frequency provided by the external PLL. Please refer to Table 12 or Table 22 for more details.
Default: LO

15. APPENDIX I: JUMPERS LISTED BY NUMBER

NOTE: Each jumper listed below is described in *Appendix H: Jumpers Listed by Function*. The relevant section heading is listed beside each jumper name in braces { }.

J1	CS492x/CS493xx DSP clock {DSP Jumpers} Default: <i>CLKIN</i>
J2	CS492x/CS493xx \overline{WR} pin {DSP Jumpers} Default: <i>HI</i>
J3	CS492x/CS493xx \overline{RD} pin {DSP Jumpers} Default: <i>LO</i>
J11	Stake header for CS492x/CS493xx & CRD4923-MEM & CDB49300-MEM {DSP Jumpers}
J12	Stake header for CS492x/CS493xx {DSP Jumpers}
J31	RCA/Optical S/PDIF input selection {Audio Input Jumpers} Default: <i>OPT</i>
J37	Oscillator/External PLL select {System Clocking Jumpers} J44CS8404 Channel Status Bits {Audio Output Jumpers} Default: All bits <i>HI</i> (Not Populated).
J52	MASTER/SLAVE clocking mode of the CS5334 {Audio Input Jumpers} Default: <i>SLAVE</i>
J59	CS492x/CS493xx Analog Power {Power Jumpers} Default: <i>INSTALLED</i>
J60	CS492x/CS493xx Digital Power {Power Jumpers} Default: <i>INSTALLED</i>
J62	CS492x/CS493xx PSEL pin {DSP Jumpers} Default: <i>HI</i>
J63	PLD I/O Power Selection {Power Jumpers} Default: +3.3 V
J65	CS8414 SEL pin {Audio Input Jumpers} Default: <i>HI</i> (Not Populated).
J66	CS8414 CS12/FCK pin. {Audio Input Jumpers} Default: <i>HI</i> (Not Populated).
J67	PS1 pin of U26 {System Clocking Jumpers} Default: <i>LO</i>
J68	PS0 pin of U26 {System Clocking Jumpers} Default: <i>HI</i>
J69	DSP Power Selection {Power Jumpers} Default: +2.5 V
J70	AS1 pin of U26 {System Clocking Jumpers} Default: <i>LO</i>
J71	AS0 pin of U26 {System Clocking Jumpers} Default: <i>LO</i>
J72	PS2 pin of U26 {System Clocking Jumpers} Default: <i>LO</i>

16. APPENDIX J: SWITCH SUMMARY

Table 18 lists the jumper settings required for all four host interface modes of the CS492x/CS493xx.

Table 19 shows all of the digital output formats that can be selected for the CS5334 with switch S4. Please see the CS5334 datasheet for a more detailed description of available digital output formats.

Table 20 shows all of the digital input formats that can be selected for the CS4340 with S4. Please see the CS4340 datasheet for a more detailed description of available digital input formats.

Table 21 shows all of the digital output formats that can be selected for the CS8414 with switch S1. Please see the CS8414 datasheet for a more detailed description of available audio serial port formats.

Table 23 shows all of the digital input formats that can be selected for the CS8404A with switch S2. Please see the CS8404A datasheet for a more detailed description of available digital input format. Table 22. shows all available PLL settings for the external PLL on the CDB4923/4930.

Table 24 lists all possible data routing possibilities and the associated MCLK source for the CDB4923/300.

$\overline{\text{RD}}$ J3	$\overline{\text{WR}}$ J2	PSEL J62	Host Interface Mode
0	1	1	Serial I ² C (PSEL == SCPIO)
1	0	X	Serial SPI
1	1	0	8-bit Intel
1	1	1	8-bit Motorola

Table 18. CS492x/CS493xx Host Interface Mode Selection

34DIF1	34DIF0	Digital Input Format
LO	LO	20-Bit Left Justified, Rising SCLK
LO	HI	20-Bit Left Justified, Falling SCLK
HI	LO	20 Bit I ² S, Rising SCLK (default)
HI	HI	Power Down

Table 19. CS5334 Digital Output Formats (S4)

27DIF1	27DIF0	Digital Input Format
LO	LO	16-24 Bit I ² S (default)
LO	HI	16-24 Bit Left Justified
HI	LO	24-Bit Right Justified
HI	HI	16-Bit Right Justified

Table 20. CS4340 Digital Input Formats (S4)

M2	M1	M0	Audio Serial Port Format
LO	LO	LO	Out, L/R, 16-24 Bits
LO	LO	HI	In, L/R, 16-24 Bits
LO	HI	LO	Out, L/R, I ² S Compatible
LO	HI	HI	In, L/R, I ² S (default)
HI	LO	LO	Out, WSYNC, 16-24 Bits
HI	LO	HI	Out, L/R, 16 Bits LSBJ
HI	HI	LO	Out, L/R, 18 Bits LSBJ
HI	HI	HI	Out, L/R, MSB Last

Table 21. Digital Output Format settings for CS8414 (S1)

PCLK Frequency	J72	J67	J68
33.33 MHz	LO	LO	LO
54 MHz	LO	LO	HI
66.66 MHz	LO	HI	LO
80 MHz	LO	HI	HI
32 MHz	HI	LO	LO
81 MHz	HI	LO	HI
50 MHz	HI	HI	LO
40 MHz	HI	HI	HI

Table 22. PCLK Configurations

M2	M1	M0	Audio Serial Port Format
LO	LO	LO	FSYNC & SCK Output
LO	LO	HI	Left/Right, 16-24 Bits
LO	HI	LO	Word Sync, 16-24 Bits
LO	HI	HI	Reserved
HI	LO	LO	Left/Right, I ² S (default)
HI	LO	HI	LSB Justified, 16 Bits
HI	HI	LO	LSB Justified, 18 Bits
HI	HI	HI	MSB Last, 16-24 Bits

Table 23. Digital Input Format settings for CS8404A (S2)

PLD Mode	DATA SEL2	DATA SEL1	DATA SEL0	CS492X/CS493XX CMPDAT	CS492X/CS493XX SDATAN1	MCLK MASTER	CONTROL SOURCE
0	LO	LO	LO	Data and Control lines accessed via J11 and J12		J12 or DSP	J11 & J12
1	LO	LO	HI	S/PDIF -- CS8414	A/D -- CS5334	CS8414	J11 & J12
2	LO	HI	LO	PC	A/D -- CS5334	DSP	PC
3	LO	HI	HI	S/PDIF -- CS8414	S/PDIF -- CS8414	CS8414	PC
4	HI	LO	LO	S/PDIF -- CS8414	A/D -- CS5334	CS8414	PC
5	HI	LO	HI	A/D -- CS5334	A/D -- CS5334	OSC/PLL	PC
6	HI	HI	LO	RESERVED			
7	HI	HI	HI	RESERVED			

Table 24. Data Selection Modes (Switch S3, PLD Version AB-X)

• **Notes** •

SMART
Analog™