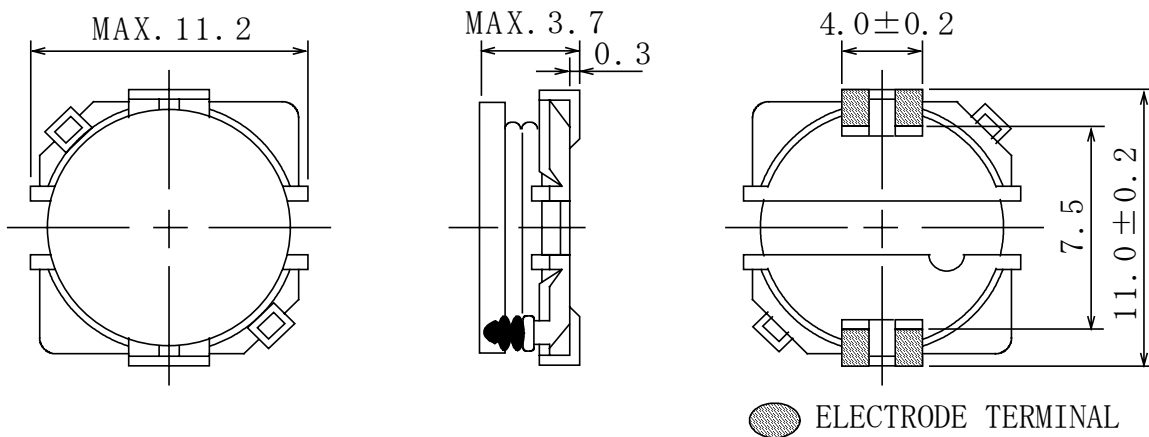
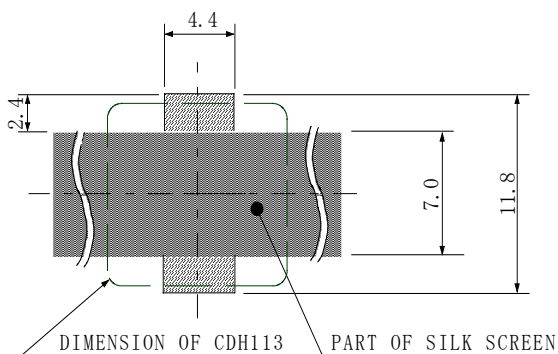


**Type: CDH113**
**◆ Product Description**

- 11.2×11.2mm Max.(L×W),3.7mm Max. Height.
- Inductance Range: 10~470 μ H
- Rated current range: 0.29~2.0A
- In addition to the standard versions of inductors shown here, custom inductors are available to meet your exact requirements.


**◆ Feature**

- Magnetically unshielded construction.
- Ideally used in Notebook PC ,DVD, LCD TV ,Game machine, Projector etc as DC-DC Converter inductors.
- RoHS Compliance

**◆ Dimensions (mm)**

**◆ Land Pattern (mm)**


**Type: CDH113**
**◆ Specification**

Part Name ※	Stamp	Inductance [Within] 1 kHz	D.C.R.(Ω) Max.(Typ.) (at 20°C)	Rated current (A) ※1
CDH113NP-100M□ CDH113NP-120M□	100 120	10 μ H ± 20% 12 μ H ± 20%	47m(36m) 56m(43m)	2.00 1.80
CDH113NP-150M□ CDH113NP-180M□	150 180	15 μ H ± 20% 18 μ H ± 20%	72m(56m) 78m(60m)	1.55 1.45
CDH113NP-220M□ CDH113NP-270L□	220 270	22 μ H ± 20% 27 μ H ± 15%	98m(75m) 0.11(87m)	1.25 1.16
CDH113NP-330L□ CDH113NP-390L□	330 390	33 μ H ± 15% 39 μ H ± 15%	0.15(0.11) 0.17(0.13)	1.05 0.97
CDH113NP-470L□ CDH113NP-560K□	470 560	47 μ H ± 15% 56 μ H ± 10%	0.22(0.17) 0.24(0.19)	0.91 0.80
CDH113NP-680K□ CDH113NP-820K□	680 820	68 μ H ± 10% 82 μ H ± 10%	0.28(0.21) 0.38(0.29)	0.76 0.66
CDH113NP-101K□ CDH113NP-121K□	101 121	100 μ H ± 10% 120 μ H ± 10%	0.43(0.33) 0.49(0.38)	0.61 0.56
CDH113NP-151K□ CDH113NP-181K□	151 181	150 μ H ± 10% 180 μ H ± 10%	0.61(0.47) 0.75(0.58)	0.49 0.45
CDH113NP-221K□ CDH113NP-271K□	221 271	220 μ H ± 10% 270 μ H ± 10%	0.90(0.69) 1.13(0.87)	0.43 0.37
CDH113NP-331K□ CDH113NP-391K□	331 391	330 μ H ± 10% 390 μ H ± 10%	1.28(1.02) 1.60(1.28)	0.34 0.31
CDH113NP-471K□	471	470 μ H ± 10%	1.88(1.50)	0.29

**※ Description of part name**

CDH113NP-100M□  
└─ B Box  
└─ C Carrier Tape

※1 Rated current: The DC current at which the inductance decreases to 90% of its initial value or when  $\Delta t=40^{\circ}\text{C}$ , whichever is lower( $T_a=20^{\circ}\text{C}$ ).