

Type: CDH28D14

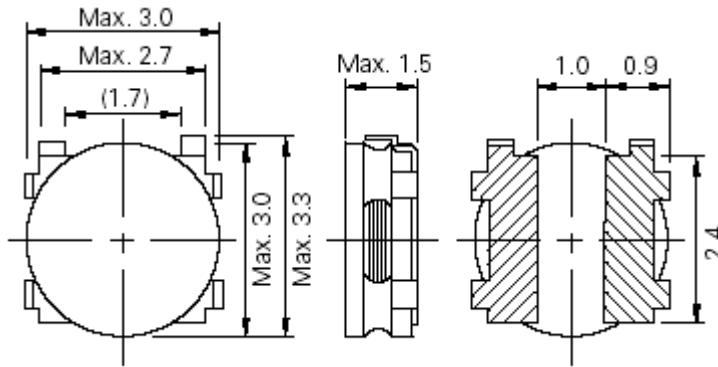
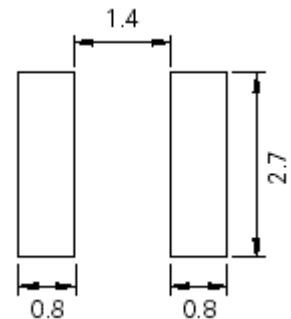
UNDER DEVELOPMENT

◆ Product Description

- 3.0×3.0mm Max.(L×W), 1.5mm Max. Height.
- Inductance range: 2.2~22 μ H.
- Rated current range: 0.38~1.33A.
- Custom design is available.


◆ Feature

- Magnetically unshielded construction.
- Ideally used in Mobilephone, PDA, MP3, DSC/DVC, HDD, etc as DC-DC Converter inductors.
- RoHS Compliance

◆ Dimensions (mm)

◆ Land Pattern (mm)

◆ Specification

| Part Name ※ | Stamp | Inductance (μ H) [Within] 100kHz/1V | D.C.R.(Ω) Max.(Typ.) (at 20°C) | Saturation Current (A) ※1 | Temperature Rise current (A) ※2 |
|------------------|-------|---|--------------------------------------|---------------------------------|---------------------------------------|
| CDH28D14NP-2R2M□ | 2R2 | 2.2±20% | 134m(107m) | 2.00 | 1.33 |
| CDH28D14NP-4R7M□ | 4R7 | 4.7±20% | 243m(195m) | 1.35 | 950m |
| CDH28D14NP-100M□ | 100 | 10±20% | 491m(393m) | 950m | 650m |
| CDH28D14NP-150M□ | 150 | 15±20% | 1.14(913m) | 610m | 380m |

※ Description of part name

CDH28D14NP-2R2M□
└─ B Box
└─ C Carrier Tape

※1.Saturation Current: The DC current at which the inductance decreases to 70% of it's nominal value.
 ※2 Temperature rise current: The DC current at which the temperature rise is Δt=40°C.(Ta=20°C)

This datasheet is not a final issue, and maybe something will be changed before production.